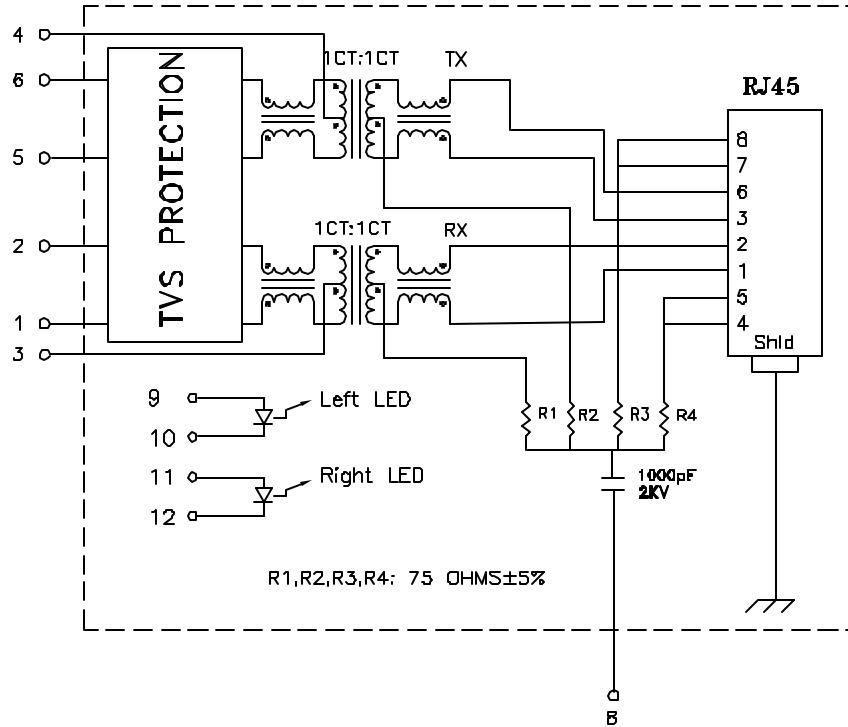


Schematic:



Electrical Specifications: @25°C

Isolation Voltage: 1500 Vrms (Input to Output)

Turns Ratio: TX 1CT:1CT ±3% RX 1CT:1CT ±3%

CABLE SIDE OCL: 350uH Minimum @100KHz 100mV 8mADC

Cw/w: 27pF Typical @100KHz 100mV

Insertion Loss (300KHz-100MHz): -1.0dB Maximum

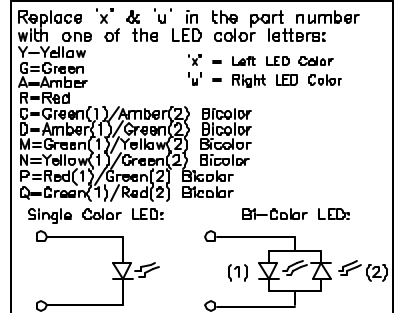
Return Loss: @30MHz -18dB Minimum

@80MHz -12dB Minimum

Notes:

1. Solderability: Leads shall meet MIL-STD-202G, Method 208H for solderability.
2. Flammability: UL94V-0
3. ASTM oxygen index: > 28%
4. Insulation System: Class F 155°C. UL file E151556
5. Operating Temperature Range: All listed parameters are to be within tolerance from -40°C to +85°C
6. Storage Temperature Range: -55°C to +125°C
7. Aqueous wash compatible
8. Electrical and mechanical specifications 100% tested
9. RoHS Compliant Component
10. Designed to meet GR10B9 Intra-Building Lightning Standard

Complete the Comba P/N as follows:



DOC REV: B/1

XFMRs Inc.

Title: **SINGLE PORT COMBO**

UNLESS OTHERWISE SPECIFIED
TOLERANCES:
.xxx ±0.010

P/N:	XFATM9DC-CLxu1-4MS	REV.	B
DWN.	Xiany		Aug-25-09
CHK.	YK Liao		Aug-25-09
APP.	Joe Huff		Aug-25-09

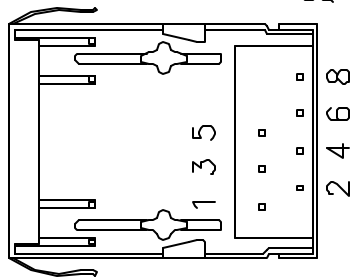
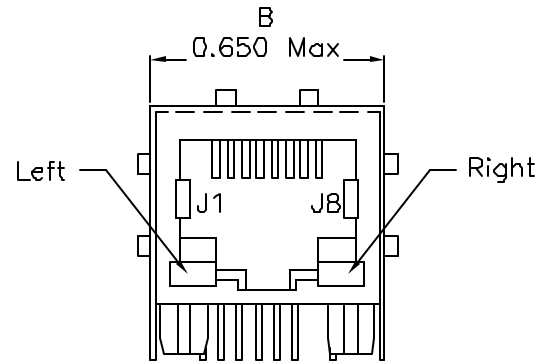
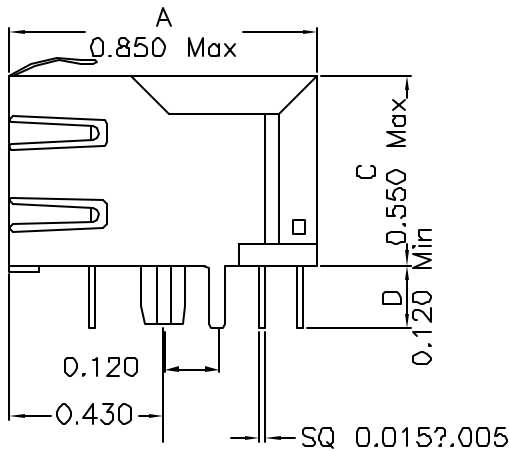
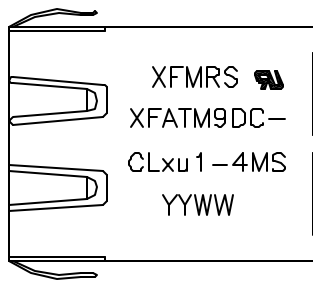
Dimensions in Inch

SHEET 1 OF 2

PROPRIETARY:

Document is the property of XFMRs Group & is not allowed to be duplicated without authorization.

Mechanical Dimensions:

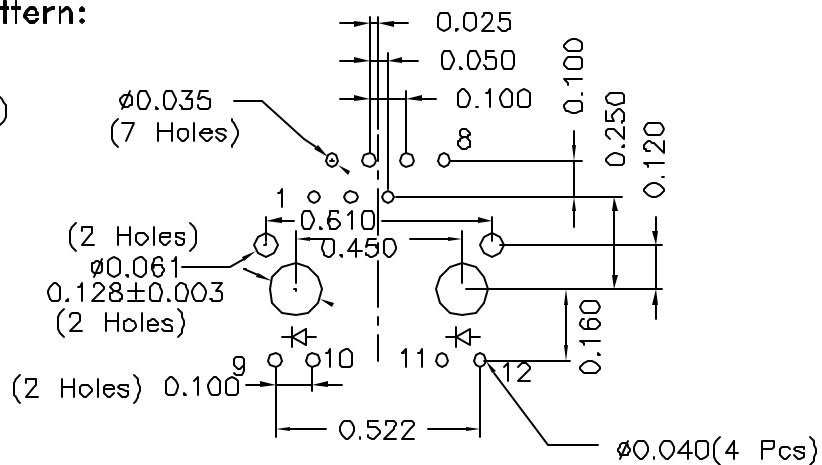


(BOTTOM VIEW)

*Remove Pin#7

Mounting Pattern:

(COMP SIDE)



DOC REV: B/1

XFMR5 Inc. www.XFMR5.com	Title: Mechanical Dimensions For CLxu1-4MS Series		
	UNLESS OTHERWISE SPECIFIED TOLERANCES: .xxx ±0.010 Dimensions in Inch	P/N: XFATM9DC-CLxu1-4MS	REV. B
SHEET 2 OF 2	APP. Joe Huff	Aug-25-09	Aug-25-09

PROPRIETARY:

Document is the property of XFMR5 Group & is not allowed to be duplicated without authorization.