

KR Series 2407 Bandpass Filter

General Description

KR 2407 is a 60 MHz center frequency elliptic bandpass filters supplied in a surface mount package. The filter has high selectivity, symmetry and high stopband attenuation. Other center frequencies and bandwidths are available. Please consult the factory.

Features

- 60 MHz center frequency
- Elliptic bandpass filter
- Surface mount package
- Excellent symmetry
- High stopband attenuation

Typical Performance

Passband Response
(1 dB/div) 56 MHz to 64 MHz

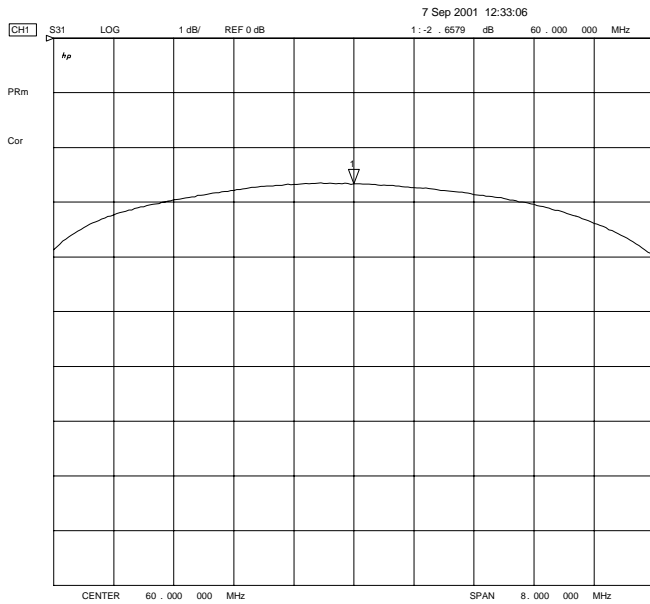


Figure 1

Overall Response
(10 dB/div) Center 60 MHz Span 60 MHz

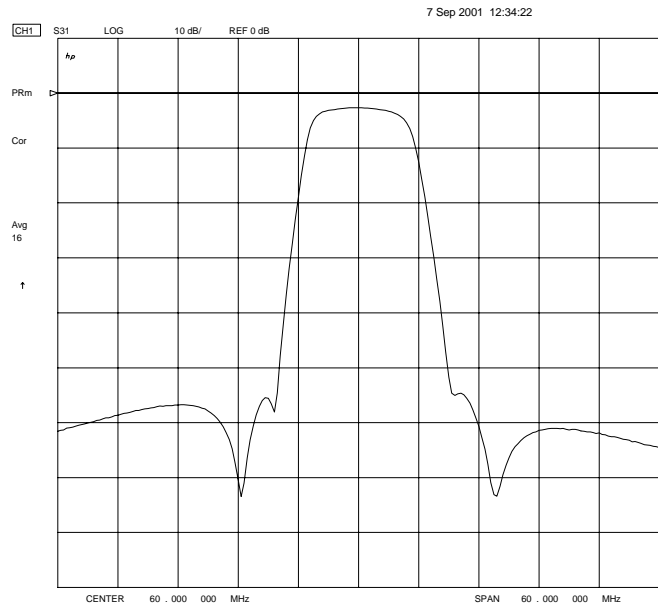


Figure 2

KR Electronics, Inc.
91 Avenel Street
Avenel, NJ 07001

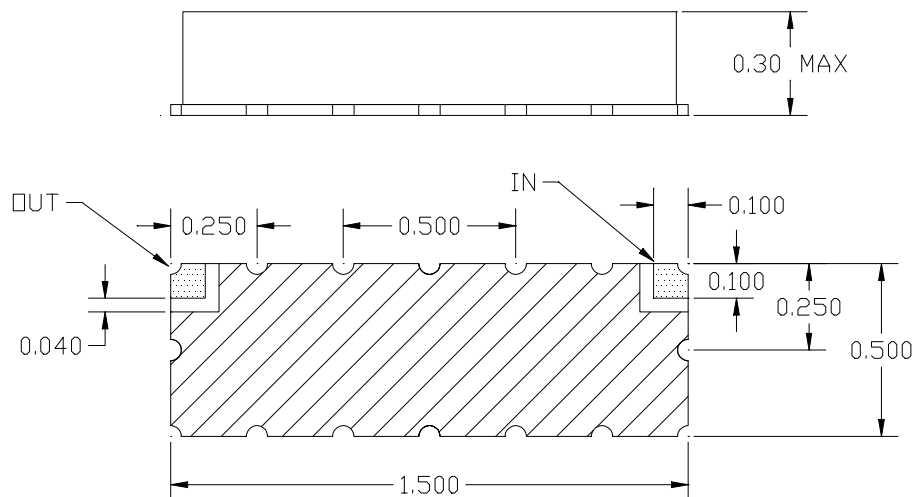
Web www.krfilters.com
Email sales@krfilters.com
Phone (732) 636-1900
Fax (732) 636-1982

KR Series 2407 Bandpass Filter

Specifications

Parameter	Specification
Filter type	Bandpass
Center Frequency (fc)	60 MHz
3 dB Bandwidth (BW _{3dB})	8 MHz min
40 dB Bandwidth (BW _{40dB})	18 MHz max
Impedance	50 Ω

Physical Dimensions



Notes:

1. Surface mount package — Metal cover, open frame
2. Dimensions in inches
3. Use SN60 or SN63 solder during installation
4. If boards are cleaned after installation, units must be completely dried to remove any entrapped moisture that will effect electrical performance