

AC COOLING FAN

172x150x50mm

- Voltage: 115 & 230 VDC
- Bearing options: Ball, Sleeve or Oil Bearing
- Material on housing: Aluminium Alloy Housing
- Airflow range: 185.3 - 196 CFM
- Suitable for Racks etc.



SPECIFICATION

Part No.	Bearing	Voltage/Freq(V/Hz)	Current(A)	Power (W)	Speed(RPM)	Air flow(CFM)	Pressure(mmAq)	Noise(dB/A)	Weight(g)
DBF1750x115H	Ball, Sleeve, Oil	115/50	0.48	59.60	2700	194.6	12.75	52.3	922
DBF1750x115M	Ball, Sleeve, Oil	115/50	0.35	29.80	2600	186.0	9.25	50.5	922
DBF1750x230H	Ball, Sleeve, Oil	230/50	0.27	47.90	2700	196.0	12.25	51.3	922
DBF1750x230M	Ball, Sleeve, Oil	230/50	0.19	32.60	2600	185.3	9.00	50.4	922

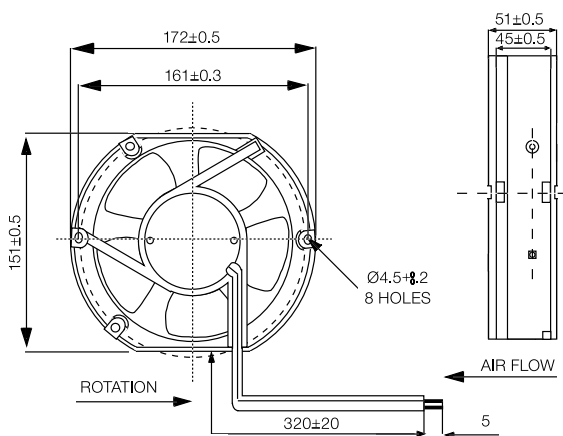
Impeller: Plastic (UL;94V-0)

Lead Wire: UL1015 AWG18

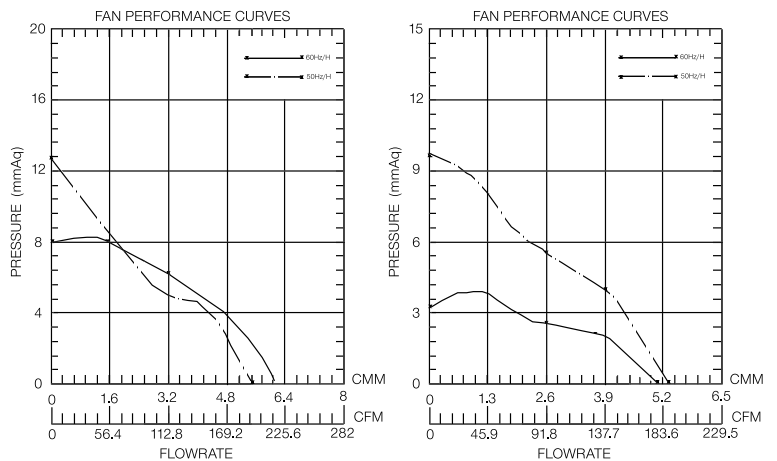
Operating Temp:-10° to 70 °C

SECTION 12

EXTERNAL DIMENSIONS



PERFORMANCE CURVE



ORDERING INFORMATION

DBF	17250	B	115	M	T
Dubilier Fans	Size	Bearing	Voltage	Airflow	Lead Type
	172x150x50mm	B=Ball S=Sleeve G=Oil	115=115vac 230=230vac	H=High M=Medium	T=Terminal W=Wires