

IEC Appliance Inlet C14 with Line Switch 1-pole



C14

 70° C

**Description**

- Panel Mount:
Snap-in version, from front side, Appliance Inlet, Protection class I, Line Switch 1-pole
- Solder terminals or quick connect terminals

Approvals

- VDE License Number: 40017874
- UL License Number: E88880
- CSA License Number: 1084381

Characteristics

- Line switch non-illuminated

References

[General Product Information](#)

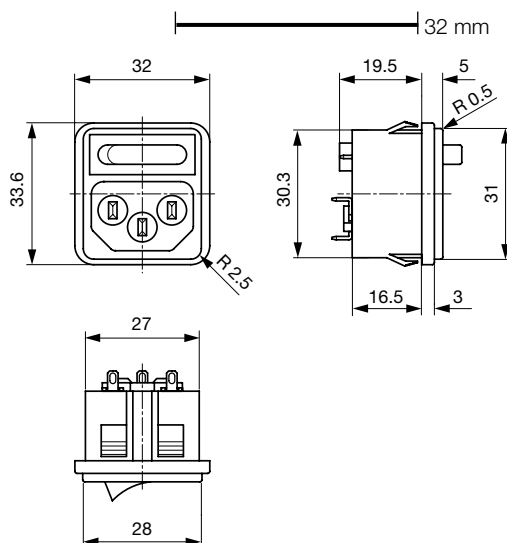
Weblinks

[Approvals](#), [RoHS](#), [CHINA-RoHS](#), [Mating Connectors](#), [e-Store](#), [Distributor-Stock-Check](#), [Accessories](#)

Technical Data

Ratings IEC	10A / 250VAC; 50Hz
Ratings UL/CSA	6A / 250VAC; 60Hz
Dielectric Strength	> 3kVAC between L-N > 1.5kVAC between L/N-PE (1 min/50Hz)
Allowable Operation Temp.	-25 °C to 70 °C
Degree of Protection	from front side IP 20 acc. to IEC 60529
Protection Class	Suitable for appliances with protection class 1 acc. to IEC 61140
Terminal	Solder terminals or quick connect terminals
Panel Thickness s	Snap-in 1.0 - 1.5/2.0 - 2.5 mm
Material: Housing	black, UL 94V-0

Appliance Inlet	C14 acc. to IEC/EN 60320-1 UL 498, CSA C22.2 no. 42 (for cold conditions) pin-temperature 70 °C, 10A, Protection Class 1
Line Switch	Rocker switch 1-pole, non-illuminated black, acc. to IEC 61058-1 Technical details

Dimensions

Wandstärke panel thickness	Ausbruchmaße panel cutout
1 - 1.5 mm	31.5 ^{+0.2} x 27.2 ^{+0.2} mm
2 - 2.5 mm	31.5 ^{+0.2} x 27.2 ^{+0.2} mm

length of the terminal please find at the order code configuration table

Config. Code

Product Configurator

1074 - H - ABCN - D - EGOP


The characters are placeholders for the correspondingly keys of selections from the key tables.

1074 - H - ABCN - D - EGOP = Type

Type	Configuration key
protection class 1	X

1074 - H - ABCN - D - EGOP = Terminals

Terminal L	Configuration key
short solder terminal (L=4,8mm)	2
long solder terminal (L=8,5mm)	3
blade terminal (4,8x0,8mm)	8
blade terminal (6,3x0,8mm)	9



1074 - H - ABCN - D - EGOP = Terminals

Terminal N	Configuration key
short solder terminal (L=4,8mm)	2
long solder terminal (L=8,5mm)	3
blade terminal (4,8x0,8mm)	8
blade terminal (6,3x0,8mm)	9

Symbols similar as in table A

1074 - H - ABCN - D - EGOP = Terminals

Terminal Ground	Configuration key
short solder terminal (L=4,8mm)	2
long solder terminal (L=8,5mm)	3
blade terminal (4,8x0,8mm)	8
blade terminal (6,3x0,8mm)	9

Symbols similar as in table A

1074 - H - ABCN - D - EGOP = Terminal Fuseholder

Terminal Fuseholder	Configuration key
without terminal	0

1074 - H - ABCN - D - EGOP = Color

Color	Configuration key
jet black; RAL9005	A
standard color: black	

1074 - H - ABCN - D - EGOP = Style

Style	Configuration key
snap-in standard type	3

1074 - H - ABCN - D - EGOP = Dimension X

Dimension "X"	Configuration key
00	

The dimension "X" is displayed in ($\frac{1}{10}$ mm). This information is also valid for the order code

1074 - H - ABCN - D - EGOP = Features

Features	Configuration key
not used	0

1074 - H - ABCN - D - EGOP = Latching Action Switch

Latching Action Switch	Configuration key
unipolar switch, 4,8mm blade terminal, black rocker	2

Variants

Config. Code	Description	Order Number
1074-X-2220-A-30002	1074, IEC Power Entry Module C14, 70°C, version: 1, L: short solder terminal (L=4,8mm), N: short solder terminal (L=4,8mm), ground: short solder terminal (L=4,8mm), fuseholder: without terminal, color: jet black; RAL9005, design: snap-in standard type, dimension X: 00, features: not used, unipolar switch, 4,8mm blade terminal, black rocker	4304.6040
1074-X-8880-A-30002	1074, IEC Power Entry Module C14, 70°C, version: 1, L: blade terminal (4,8x0,8mm), N: blade terminal (4,8x0,8mm), ground: blade terminal (4,8x0,8mm), fuseholder: without terminal, color: jet black; RAL9005, design: snap-in standard type, dimension X: 00, features: not used, unipolar switch, 4,8mm blade terminal, black rocker	4304.6041
1074-X-9990-A-30002	1074, IEC Power Entry Module C14, 70°C, version: 1, L: blade terminal (6,3x0,8mm), N: blade terminal (6,3x0,8mm), ground: blade terminal (6,3x0,8mm), fuseholder: without terminal, color: jet black; RAL9005, design: snap-in standard type, dimension X: 00, features: not used, unipolar switch, 4,8mm blade terminal, black rocker	4304.6042
1074-X-3330-A-30002	1074, IEC Power Entry Module C14, 70°C, version: 1, L: long solder terminal (L=8,5mm), N: long solder terminal (L=8,5mm), ground: long solder terminal (L=8,5mm), fuseholder: without terminal, color: jet black; RAL9005, design: snap-in standard type, dimension X: 00, features: not used, unipolar switch, 4,8mm blade terminal, black rocker	4304.6113

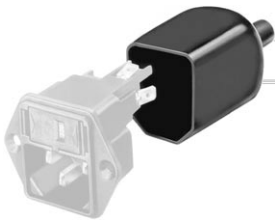
The listed variants should be available from stock. Other versions on request www.schurter.com/contact

Packaging unit

50 Pcs

Accessories

Description



Assorted Covers
Rear Cover

Mating Outlets/Connectors

Category / Description

[Connector Overview complete](#)



IEC Connector C15, Rewireable, Straight	0101
IEC Connector C15A, Rewireable, Straight	0102
IEC Connector C15A, Rewireable, Straight	0102-G
IEC Connector C15A, Rewireable, Angled	0112
IEC Connector C13, Rewireable, Angled	4012

[Connector further types to 1074](#)

...

[Power Cord Overview complete](#)



Power Cord with IEC Connector C13, Angled	0311
Power Cord with IEC Connector C13, Angled	3011
Power Cord with IEC Connector C13, Angled	3012
Power Cord with IEC Connector C13, Angled	3013
Power Cord with IEC Connector C13	3020

[Power Cord further types to 1074](#)

...

[Power Supply or Interconnection Cord Overview complete](#)



Divers Power Supply and Interconnection Cords 10 A	6000.0214
Divers Power Supply and Interconnection Cords 10 A	6000.0224
Divers Power Supply and Interconnection Cords 10 A	6003.0204
Divers Power Supply and Interconnection Cords 10 A	6003.0205
Divers Power Supply and Interconnection Cords 10 A	6003.0215

[Power Supply or Interconnection Cord further types to 1074](#)

...