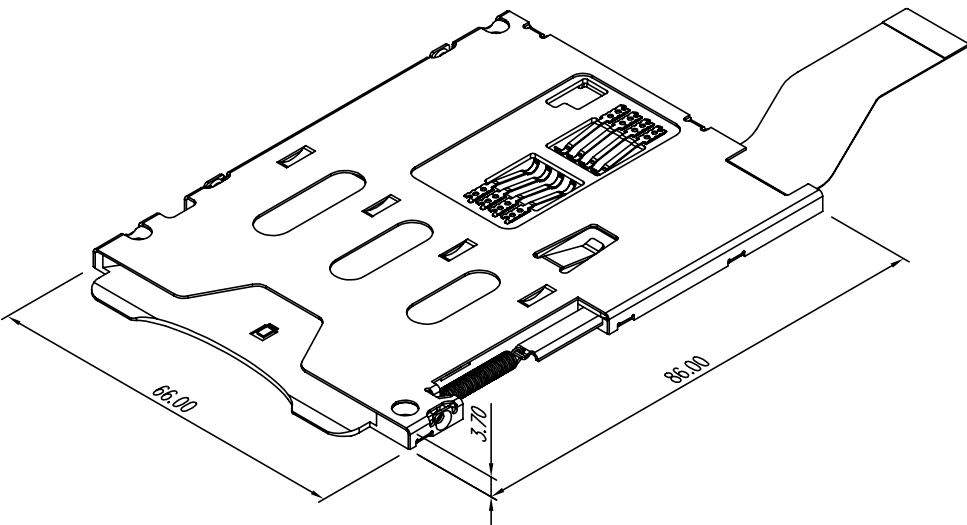


Tous droits strictement reserves. Reproduction ou communication a des tiers interdite sous quelque forme que ce soit sans autorisation écrite du propriétaire.
Droits de reproduction FCI ELECTRONICS INC.
Propriete de © FCI ELECTRONICS.

All rights strictly reserved. Reproduction or issue to third parties in any form whatever is not permitted without written authority from the proprietor.
Copyright FCI ELECTRONICS INC.
Property of © FCI ELECTRONICS

PRODUCT NO.	APPEARANCE	COMPONENTS	FPC	EJECT	PACKAGING	MAIN BODY	REMARK
55640-10101(LF)	BLUE	N/A	52534-002(LF)	55644-001	340391-001	55641-001	
55640-11102(LF)	BLUE	56413-001	52534-002(LF)	55644-001	340391-101	55641-001	
55640-12101(LF)	BLUE	55651-001	52534-002(LF)	55644-001	340391-001	55641-001	
55640-23201(LF)	BLUE	10018024-001	52534-004(LF)	55644-001	340391-201	55641-002	
55640-20201(LF)	BLUE	N/A	52534-004(LF)	55644-001	340391-201	55641-002	
55640-20202<LF>	BLUE	10062236-001	52534-004(LF)	55644-001	10062267-02-001	55641-002	
55640-23301(LF)	BLUE	10018024-001	52534-006(LF)	55644-001	340391-201	55641-002	
55640-20211(LF)	BLUE	N/A	52534-004(LF)	55644-001	340391-201	55641-003	FOR MOTOROLA
55640-23401(LF)	BLUE	10018024-001	52534-007(LF)	55644-001	340391-201	55641-002	
55640-30201(LF)	BLUE	N/A	10093563-001<FFC>	55644-002	340391-201	55641-002	FOR MITAC



NOTE :

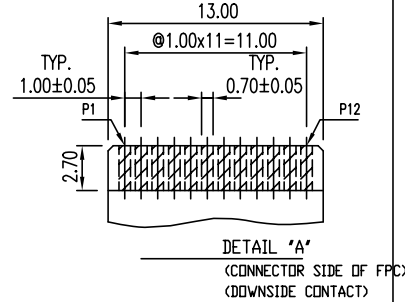
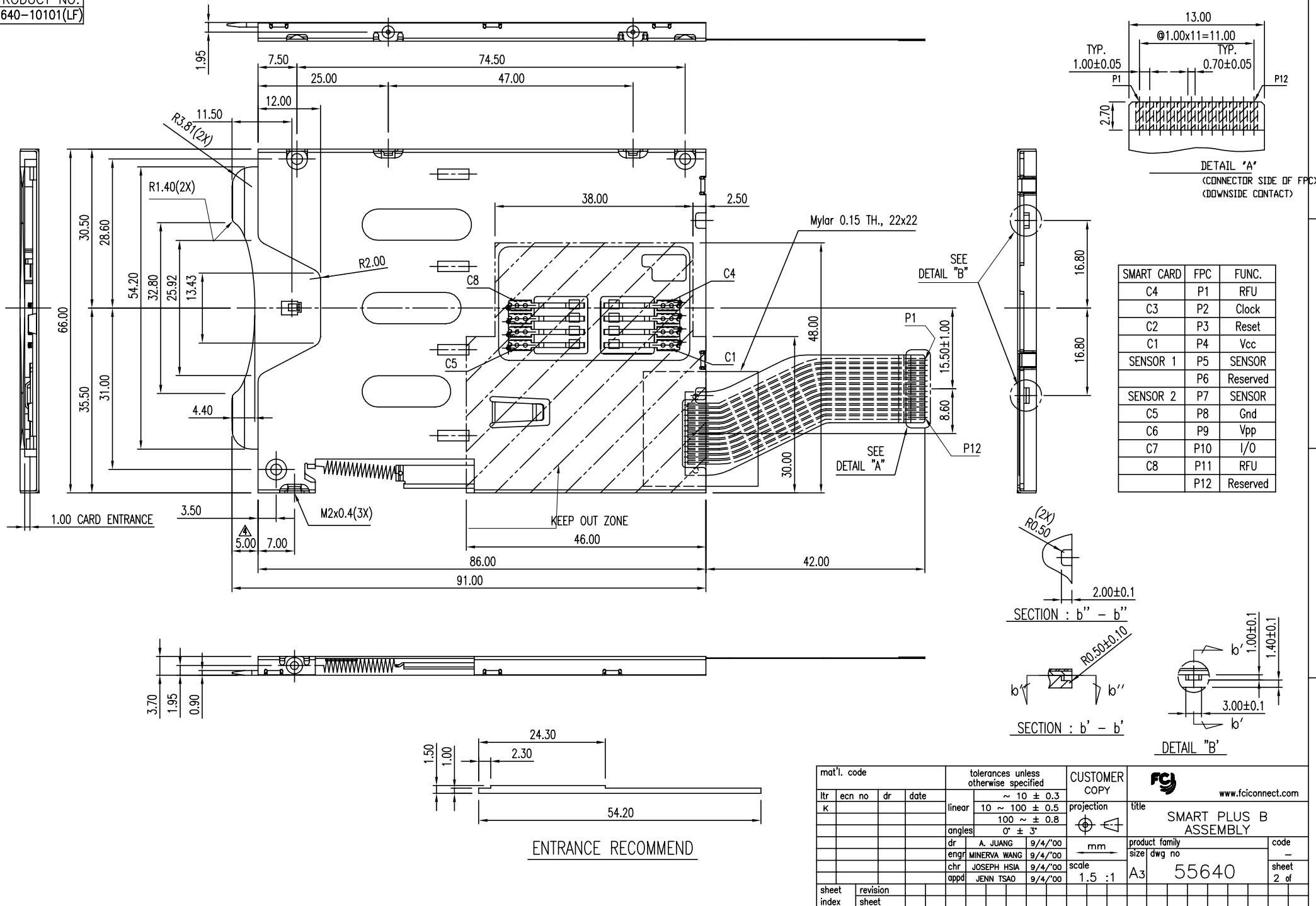
- SMART CARD READER FOR LOWER PROFILE HEIGHT OF 3.6 mm.
 - TOTAL CIRCUIT RESISTANCE PER ONE LOOP SHALL NOT EXCEED 200 MILLIOHMS.
 - THE INSERTION & EJECTING FORCE < 650g.
 - MATERIALS :
CONTACTS : COPPER ALLOY, GOLD OVER NICKEL ON CONTACT AREA.
HOUSING : THERMOPLASTIC POLYCARBONATE.
COVER : STAINLESS STEEL.
 - ENVIRONMENT :
STORAGE TEMPERATURE : FROM -40°C TO 85°C.
OPERATION TEMPERATURE : FROM -20°C TO 70°C.
 - ORDER DATAS : 55640-X X X X X LF
 - LEAD FREE OPTION
 - PACKAGING
 - EJECT
 - FPC SHAPE
 - CUSTOMIZED COMPONENTS OPTIONS
 - GUIDE PLATE
- 7.IF LEAD FREE P/N, GS-14-920 SHOULD BE APPLIED.
8.THIS PRODUCT MEETS EUROPEAN UNION DIRECTIVES AND OTHER COUNTRY REGULATIONS AS DESCRIBED IN GS-22-008.

mat'l. code		tolerances unless otherwise specified		CUSTOMER COPY		FCI www.fciconnect.com	
ltr	ecr no	dr	date	linear	~ 10 ± 0.3	projection	title
J	N08-0158	SH	08/01/08		10 ~ 100 ± 0.5		SMART PLUS B ASSEMBLY
K	N09-0283	SH	26/08/09		100 ~ ± 0.8		
				angles	0° ± 3'		
				dr	A. JUANG 9/4/00	mm	product family SMARTPLUS
F	N05-0015	AILEI	01/20/05	enqr	MINERVA WANG 9/4/00	scale	size dwg no
G	N05-0203	AILEI	07/11/05	chr	JOSEPH HSIA 9/4/00	1 : 1	A3 55640
H	N05-0285	AILEI	10/24/05	appd	JENN TSAO 9/4/00		
sheet index	revision	H	G	G	G	G	H
		1	2	3	4	5	6

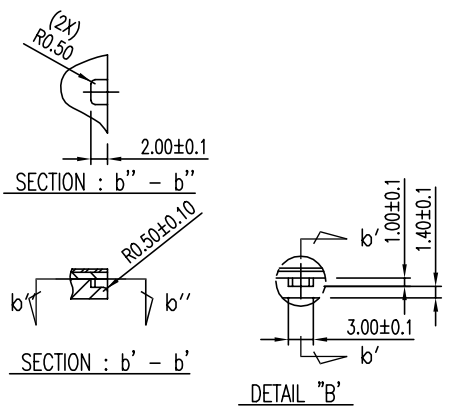
Tous droits strictement réservés. Reproduction ou communication a des tiers interdite sous quelque forme que ce soit sans autorisation écrite du propriétaire. Propriété de © FCI ELECTRONICS. Droits de reproduction FCI ELECTRONICS INC.

All rights strictly reserved. Reproduction or issue to third parties in any form whatever is not permitted without written authority from the proprietor. Property of © FCI ELECTRONICS. Copyright FCI ELECTRONICS INC.

PRODUCT NO.
55640-10101(LF)



SMART CARD	FPC	FUNC.
C4	P1	RFU
C3	P2	Clock
C2	P3	Reset
C1	P4	Vcc
SENSOR 1	P5	SENSOR
	P6	Reserved
SENSOR 2	P7	SENSOR
C5	P8	Gnd
C6	P9	Vpp
C7	P10	I/O
C8	P11	RFU
	P12	Reserved

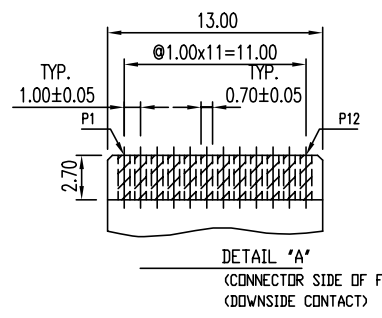
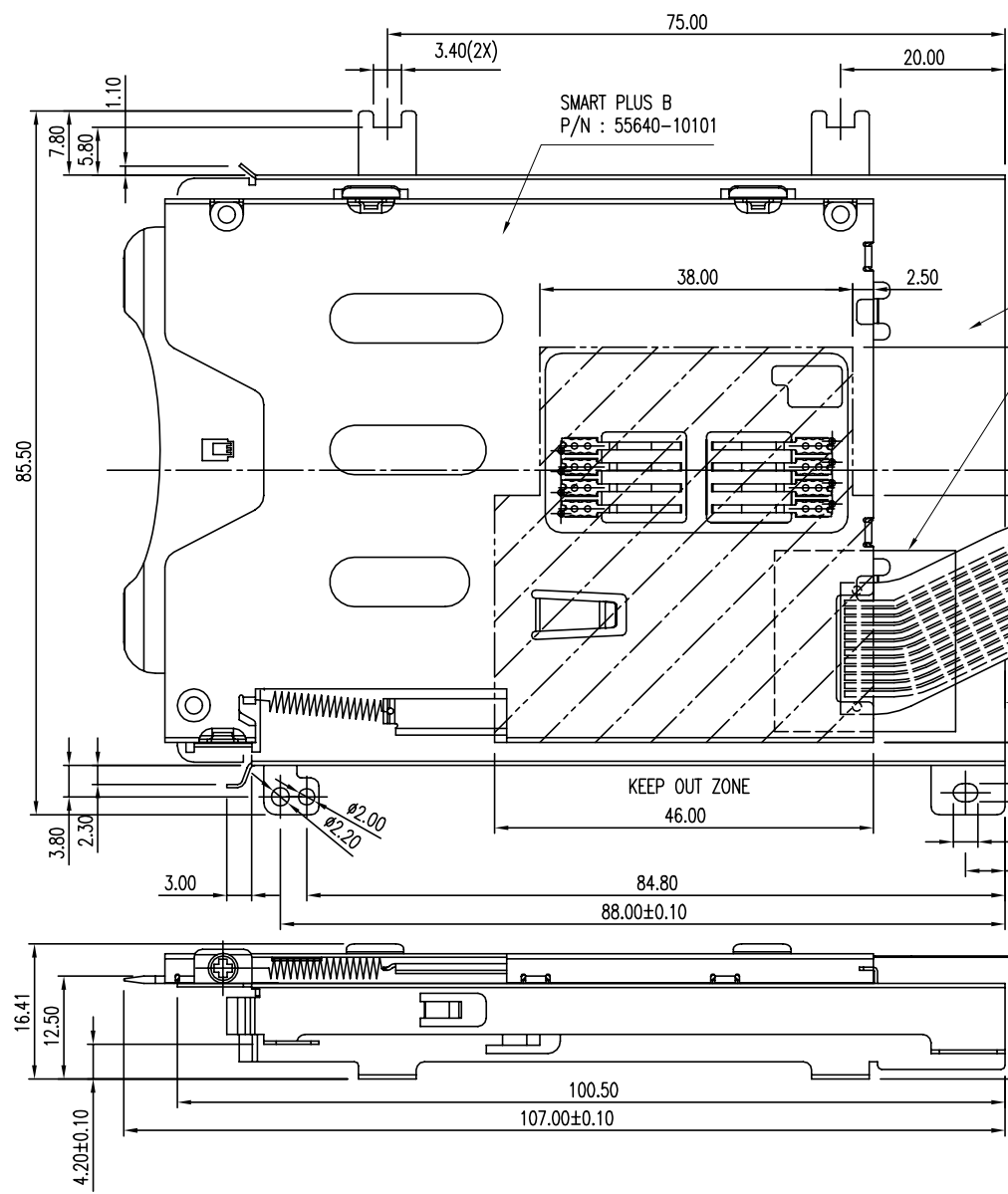
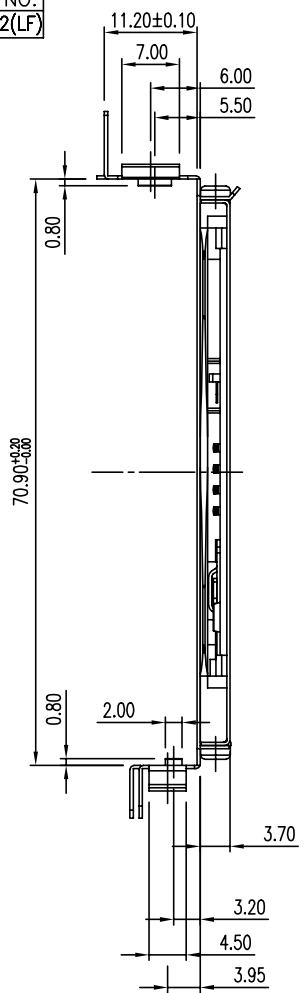


mat'l. code		tolerances unless otherwise specified		CUSTOMER COPY		FCI www.fciconnect.com	
ltr	ecn no	dr	date	linear	~ 10 ± 0.3	projection	title
K				10 ~ 100 ± 0.5	100 ~ ± 0.8	ASME Y14.5	SMART PLUS B ASSEMBLY
				angles	0° ± 3°	mm	product family
				dr	A. JUANG 9/4/'00	scale	size
				enrg	MINERVA WANG 9/4/'00	1.5 : 1	dwg no
				chr	JOSEPH HSIA 9/4/'00		55640
				appd	JENN TSAO 9/4/'00		code
sheet index	revision sheet						sheet 2 of

Tous droits strictement réservés. Reproduction ou communication a des tiers interdite sous quelque forme que ce soit sans autorisation écrite du propriétaire. Propriété de © FCI ELECTRONICS INC.

All rights strictly reserved. Reproduction or issue to third parties in any form whatever is not permitted without written authority from the proprietor. Property of © FCI ELECTRONICS INC.

PRODUCT NO.
55640-11102(LF)



SMART CARD	FPC	FUNC.
C4	P1	RFU
C3	P2	Clock
C2	P3	Reset
C1	P4	Vcc
SENSOR 1	P5	SENSOR
	P6	Reserved
SENSOR 2	P7	SENSOR
C5	P8	Gnd
C6	P9	Vpp
C7	P10	I/O
C8	P11	RFU
	P12	Reserved

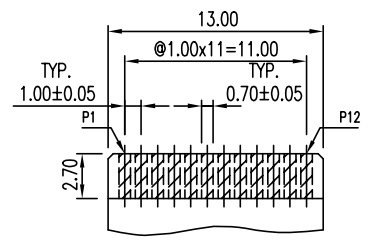
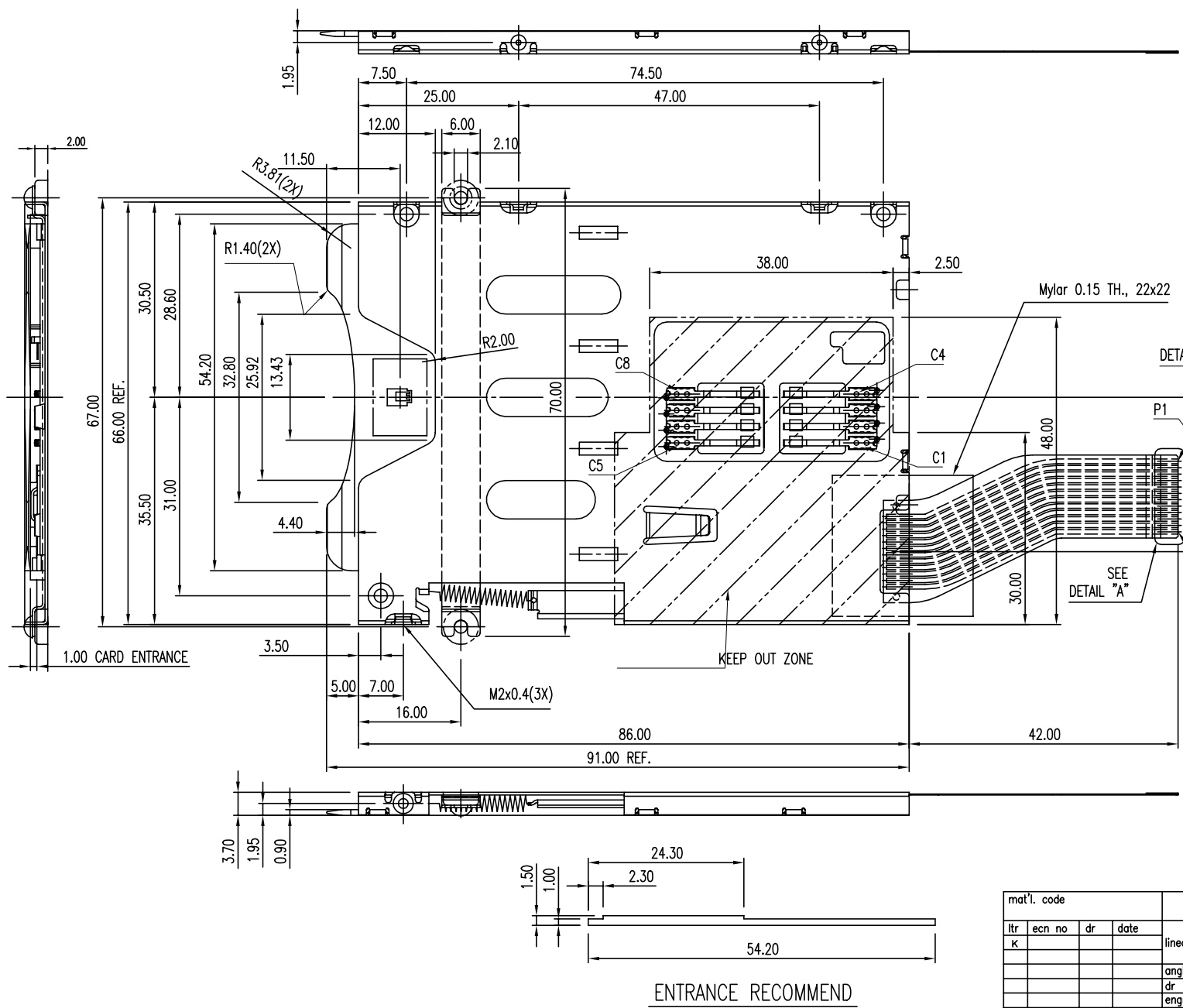
PRODUCT NO.	APPEARANCE	COMPONENTS	FPC	RESERVE	PACKAGING
55640-11102(LF)	BLUE	56413-001	52534-002(LF)	N/A	340391-101

mat'l. code				tolerances unless otherwise specified		CUSTOMER COPY		FCI		www.fciconnect.com	
ltr	ecr no	dr	date	linear	~ 10 ± 0.3	projection	title		SMART PLUS B + BRACKET ASSEMBLY		
K					10 ~ 100 ± 0.5		product family		code		
				angles	100 ~ ± 0.8		mm	A3		55640	
				dr	0° ± 3'	scale	size		sheet		
				enrg	A. JUANG 12/6/00	1.5 : 1	dwg no		3 of		
				chr	MINERVA WANG 12/6/00		55640				
				appd	JOSEPH HSIA 12/6/00						
					JENN TSAO 12/6/00						
sheet index	revision sheet										

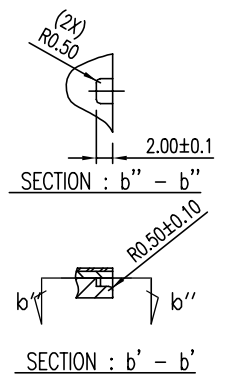
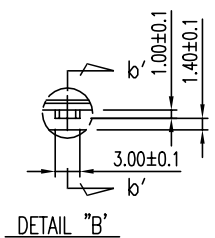
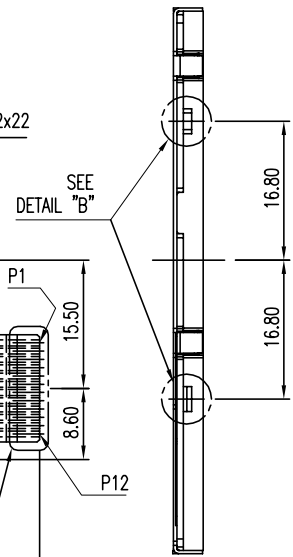
Tous droits strictement réservés. Reproduction ou communication a des tiers interdite sous quelque forme que ce soit sans autorisation écrite du propriétaire. Propriété de © FCI ELECTRONICS. Droits de reproduction FCI ELECTRONICS INC.

All rights strictly reserved. Reproduction or issue to third parties in any form whatever is not permitted without written authority from the proprietor. Property of © FCI ELECTRONICS. Copyright FCI ELECTRONICS INC.

PRODUCT NO.	APPEARANCE	COMPONENTS	FPC	EJECT	PACKAGING
55640-12101(LF)	BLUE	55651-001	52534-002(LF)	55644-001	340391-001



SMART CARD	FPC	FUNC.
C4	P1	RFU
C3	P2	Clock
C2	P3	Reset
C1	P4	Vcc
SENSOR 1	P5	SENSOR
	P6	Reserved
SENSOR 2	P7	SENSOR
C5	P8	Grnd
C6	P9	Vpp
C7	P10	I/O
C8	P11	RFU
	P12	Reserved

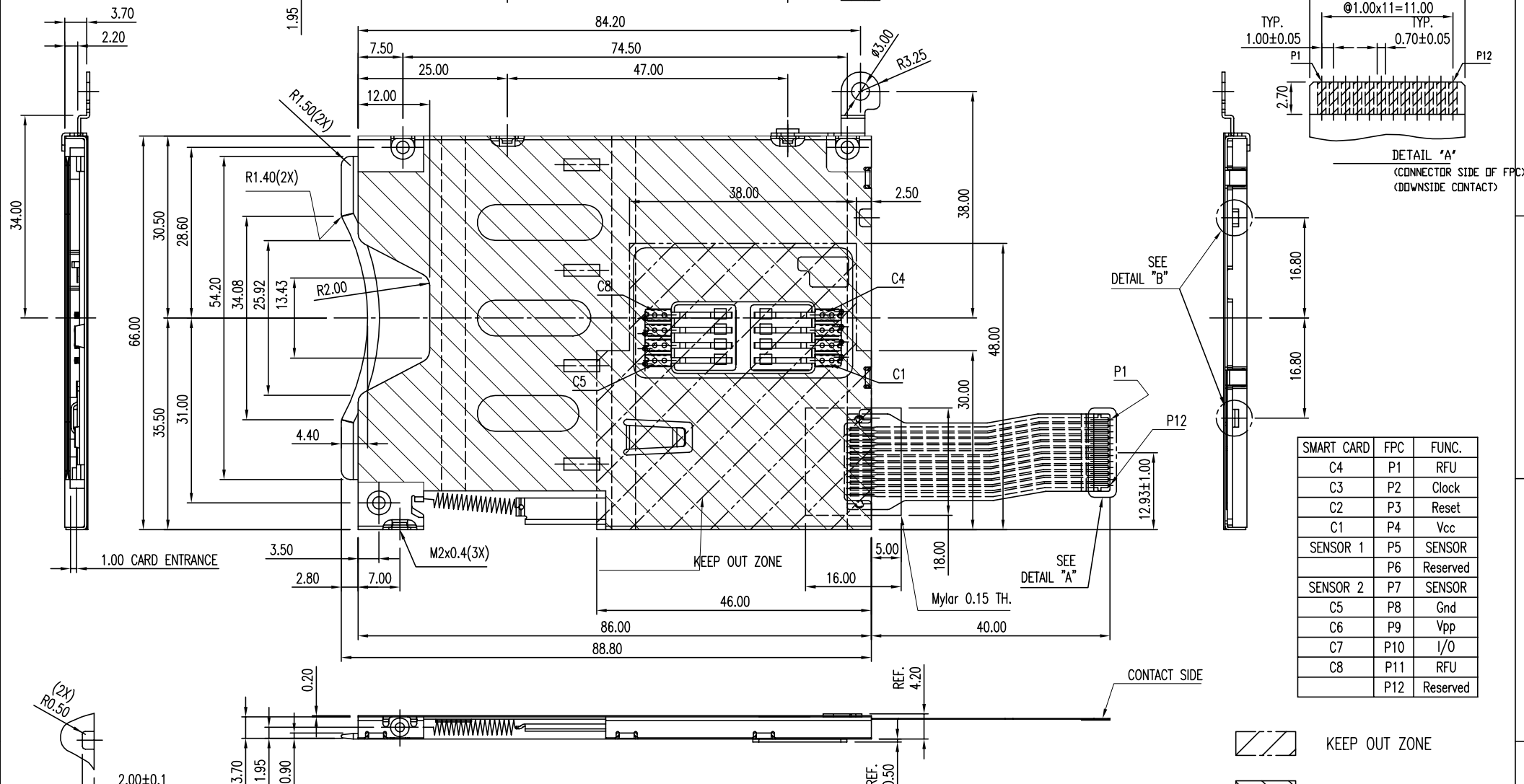


mat'l. code		tolerances unless otherwise specified		CUSTOMER COPY		FCI		www.fciconnect.com	
ltr	ecn no	dr	date	linear	~ 10 ± 0.3	projection	title		
K					10 ~ 100 ± 0.5	ASME Y14.5	SMART PLUS B ASSEMBLY		
				angles	100 ~ ± 0.8	mm	product family	code	
				dr	0° ± 3'	1.5 : 1	size	dwg no	sheet
				enrg	A. JUANG 10/16/00		A3	55640	4 of
				chr	MINERVA WANG 10/16/00				
				appd	JOSEPH HSIA 10/16/00				
					JENN TSAO 10/16/00				
sheet index	revision sheet								

Tous droits strictement réservés. Reproduction ou communication a des tiers interdite sous quelque forme que ce soit sans autorisation écrite du propriétaire. Propriété de © FCI ELECTRONICS. Droits de reproduction FCI ELECTRONICS INC.

All rights strictly reserved. Reproduction or issue to third parties in any form whatever is not permitted without written authority from the proprietor. Property of © FCI ELECTRONICS. Copyright FCI ELECTRONICS INC.

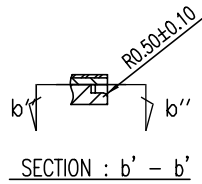
PRODUCT NO.
55640-23201(LF)



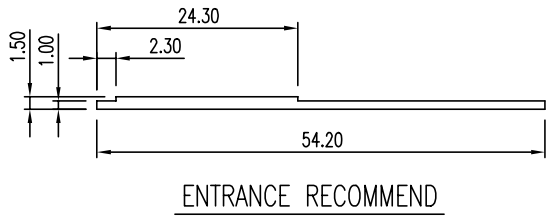
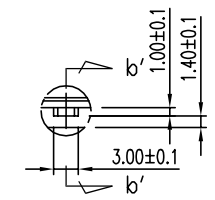
SMART CARD	FPC	FUNC.
C4	P1	RFU
C3	P2	Clock
C2	P3	Reset
C1	P4	Vcc
SENSOR 1	P5	SENSOR
	P6	Reserved
SENSOR 2	P7	SENSOR
	P8	Gnd
C6	P9	Vpp
C7	P10	I/O
C8	P11	RFU
	P12	Reserved

KEEP OUT ZONE
 MYLAR

SECTION : b'' - b''



DETAIL "B"

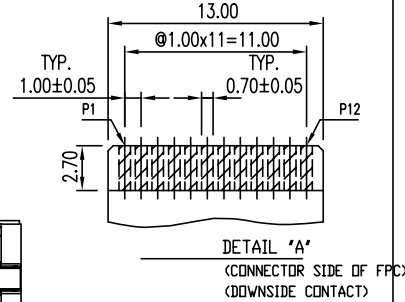
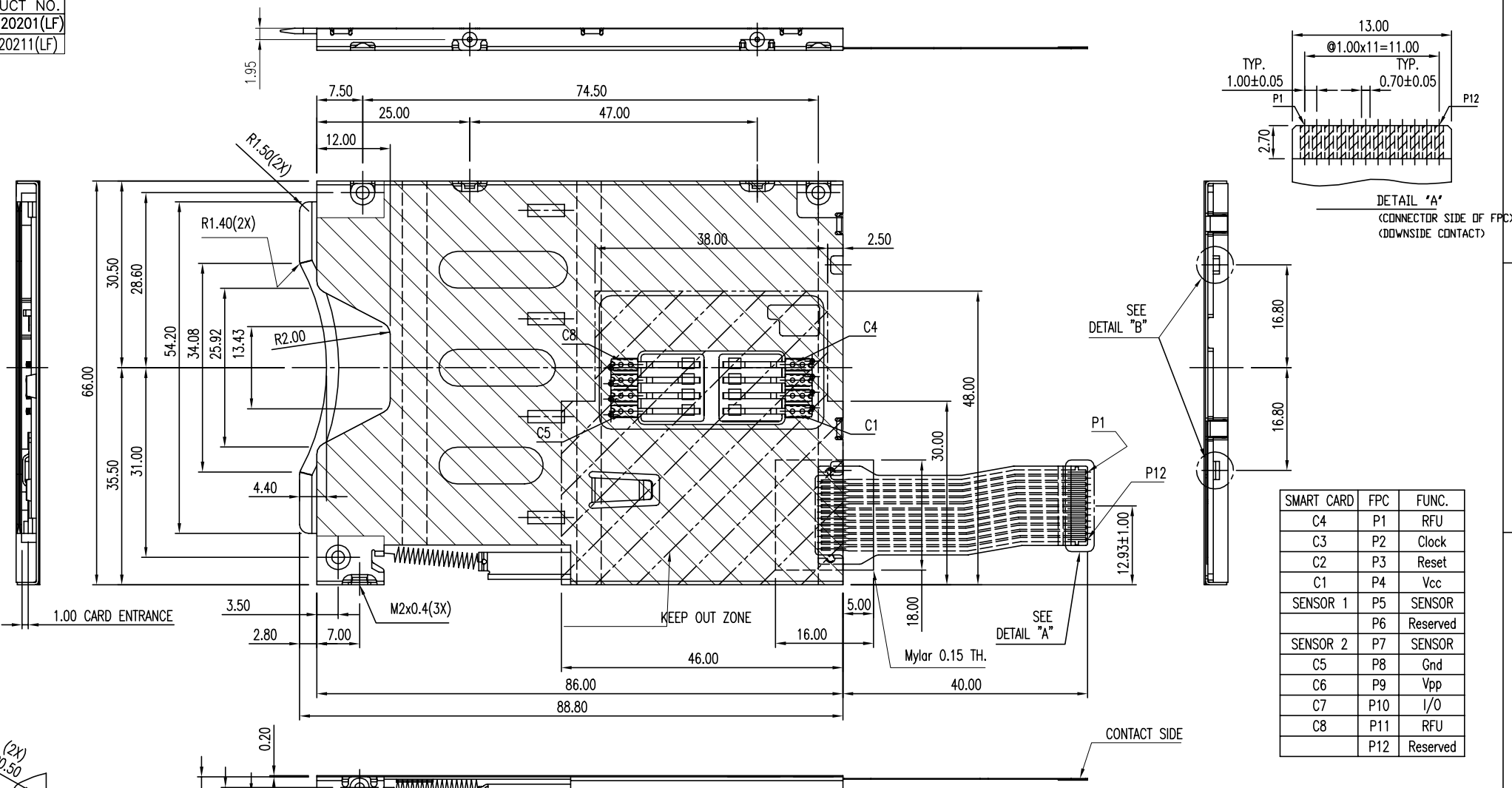


mat'l. code				tolerances unless otherwise specified		CUSTOMER COPY				www.fciconnect.com	
ltr	ecn no	dr	date	linear	~ 10 ± 0.3	projection	title		SMART PLUS B ASSEMBLY		
K					10 ~ 100 ± 0.5		product family		code		
				angles	100 ~ ± 0.8		size		sheet		
				dr	0° ± 3°	mm	A3		5 of		
				enr	A JUANG 9/17/02	scale	55640				
				chr	SCOTT LU 9/17/02	1.5 : 1					
				appd	JENN TSAO 9/17/02						
sheet index	revision sheet										

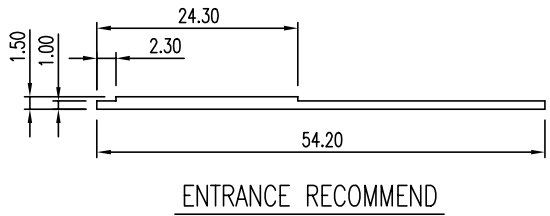
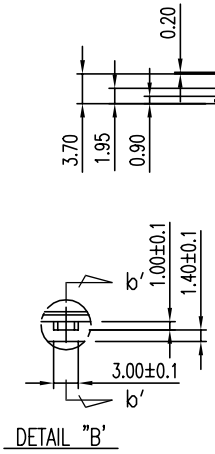
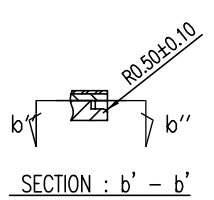
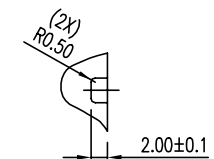
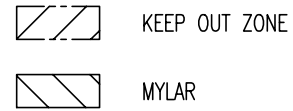
Tous droits strictement réservés. Reproduction ou communication a des tiers interdite sous quelque forme que ce soit sans autorisation écrite du propriétaire. Propriété de © FCI ELECTRONICS. Droits de reproduction FCI ELECTRONICS INC.

All rights strictly reserved. Reproduction or issue to third parties in any form whatever is not permitted without written authority from the proprietor. Property of © FCI ELECTRONICS. Copyright FCI ELECTRONICS INC.

PRODUCT NO.
55640-20201(LF)
55640-20211(LF)



SMART CARD	FPC	FUNC.
C4	P1	RFU
C3	P2	Clock
C2	P3	Reset
C1	P4	Vcc
SENSOR 1	P5	SENSOR
	P6	Reserved
SENSOR 2	P7	SENSOR
	P8	Gnd
C6	P9	Vpp
C7	P10	I/O
C8	P11	RFU
	P12	Reserved



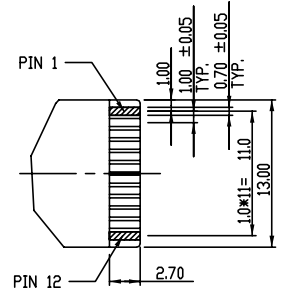
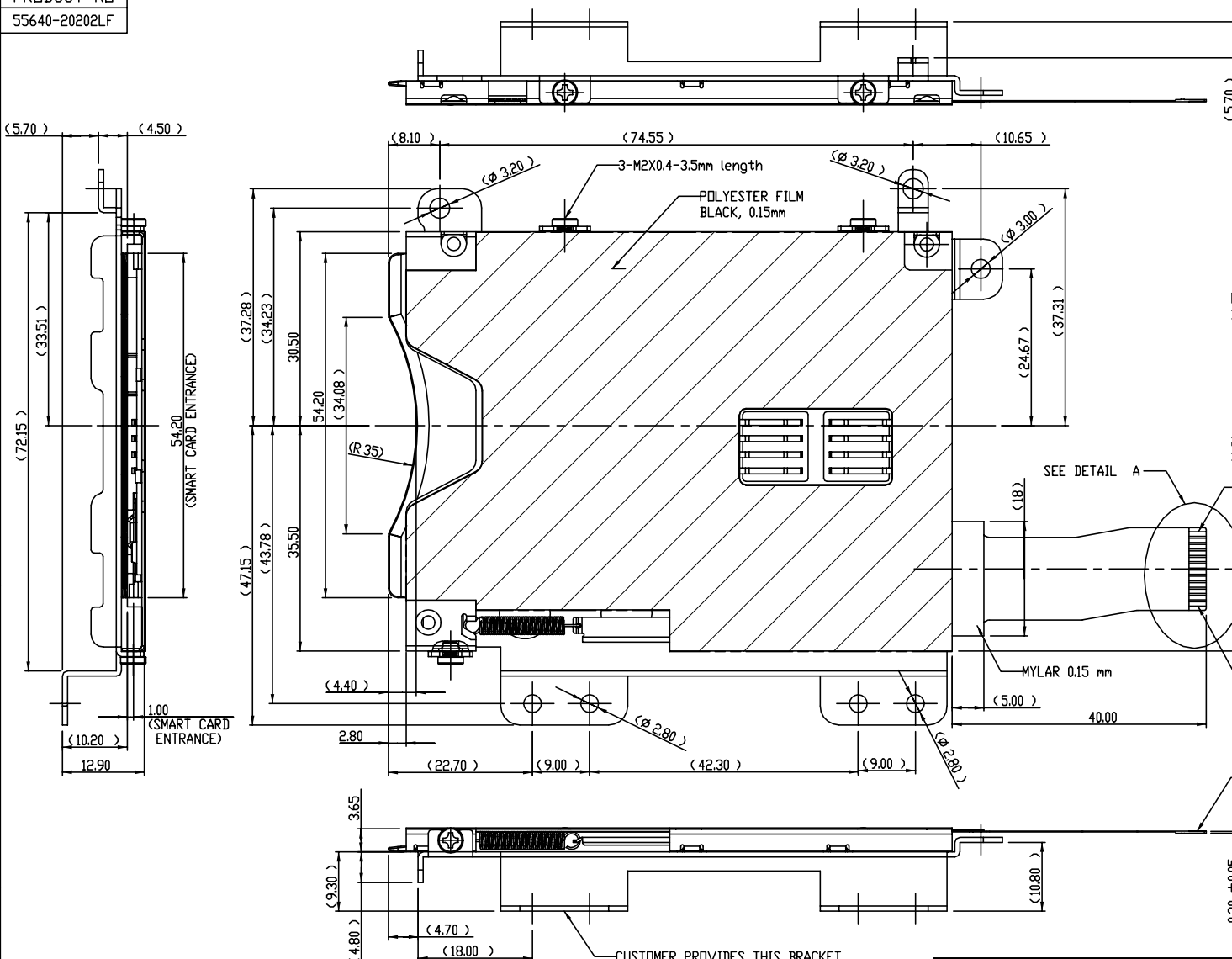
mat'l. code				tolerances unless otherwise specified		CUSTOMER COPY		FCI	
ltr	ecn no	dr	date	linear	~ 10 ± 0.3	projection	title	www.fciconnect.com	
K					10 ~ 100 ± 0.5	100 ~ ± 0.8	SMART PLUS B ASSEMBLY		
				angles	0° ± 3'	product family			
				dr	A. JUANG 9/17/02	size			
				enrg	A. JUANG 9/17/02	scale			
				chr	SCOTT LU 9/17/02	1.5 : 1			
				appd	JENN TSAO 9/17/02	A3			
sheet index	revision sheet						55640	code	
							6 of		

PRODUCT NO
55640-20202LF

Tous droits strictement reserves. Reproduction ou communication a des tiers interdite sous quelque forme que ce soit sans autorisation ecrite du proprietaire. Propriete de c FCI. Droits de reproduction FCI.



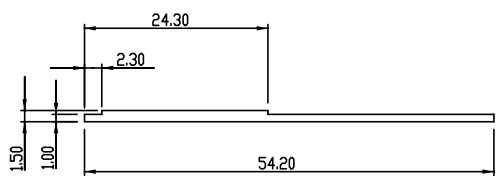
All rights strictly reserved. Reproduction or issue to third parties in any form whatever is not permitted without written authority from the proprietor. Property of FCI. Copyright FCI.



NOTE:
1. Material:
METAL SHELL: STAINLESS STEEL, T=0.40mm
PCB: FR-4, T=0.80mm
TERMINAL: PHOSPHOR BRONZE.
PLATING SPEC AS BELOW:
ALL OVER NICKEL UNDERPLATING
GOLD PLATING ON CONTACT SURFACE.
MATTE TIN PLATING ON SOLDER TAIL.
2. BRACKET COMPONENT PROVIDED BY CUSTOMER
3. CARD DETECTION SWITCH NORMALLY OPEN WITHOUT MATING CARD

SMART CARD	FPC	FUNC.
C4	P1	RFU
C3	P2	Clock
C2	P3	Reset
C1	P4	Vcc
SENSOR 1	P5	SENSOR
	P6	Reserved
SENSOR 2	P7	SENSOR
C5	P8	Gnd
C6	P9	Vpp
C7	P10	I/O
C8	P11	RFU
	P12	Reserved

TOLERANCE UNLESS OTHERWISE SPECIFIED	
LINEAR	X.X=±0.8
	X.XX=±0.25
	X.XXX=±0.13
ANGLE	±3°



rev	ecn no	dr	date
k	-	-	-
-	-	-	-
-	-	-	-
-	-	-	-
-	-	-	-
-	-	-	-
-	-	-	-

FCJ www.fciconnect.com

tolerance ✓ projection MM

size A4 Scale 0.500

ECN

Dr	10/14/'05	Product family
Eng	AILEI ZHANG	Spec ref
Chr	AILEI ZHANG	Material
Appr	JASON ZHOU	10/14/'05

title ASSEMBLY WITH CUSTOMER'S BRACKET
SMART PLUS B

catalog no

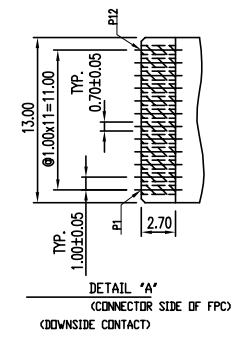
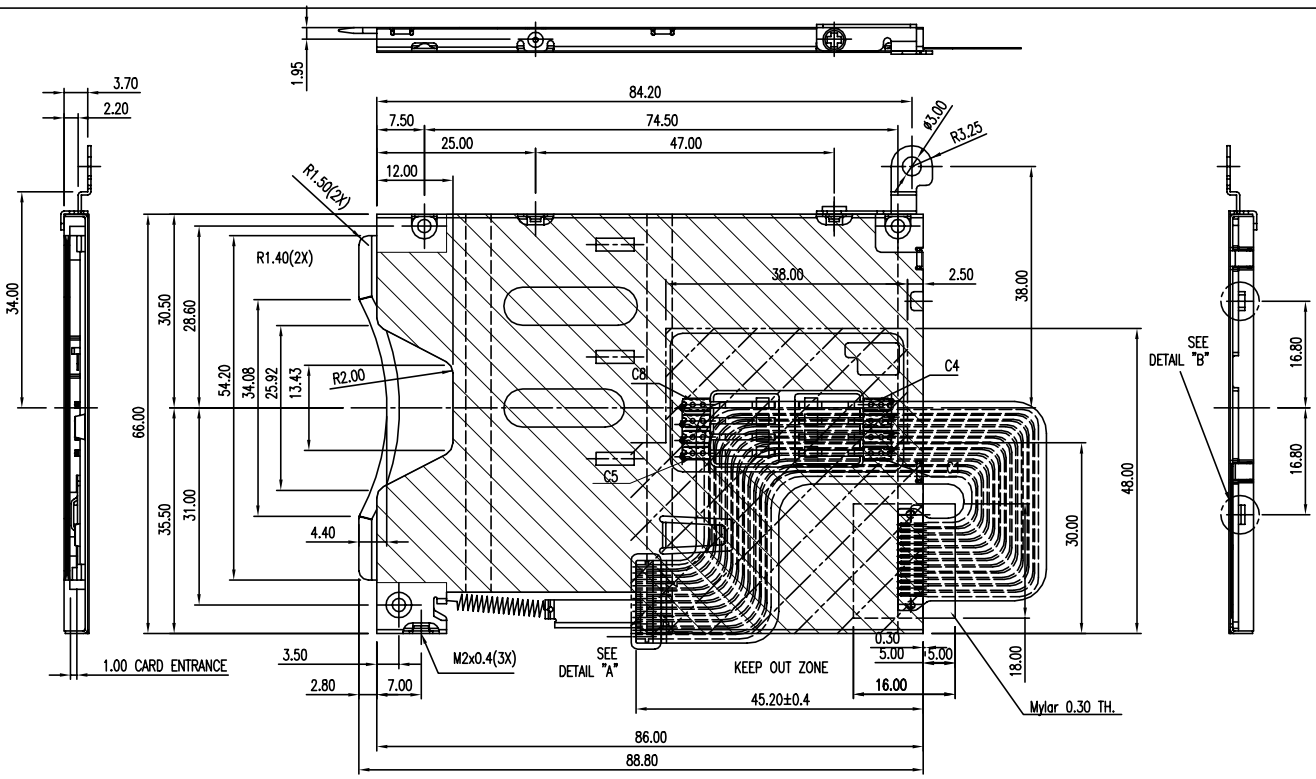
dwg no 55640

CUSTOMER sheet 7 of 8

Rev. K

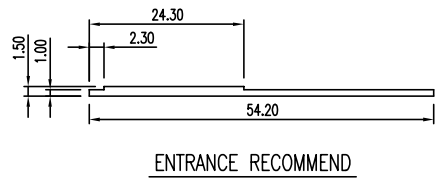
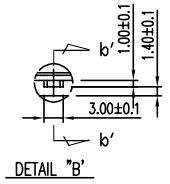
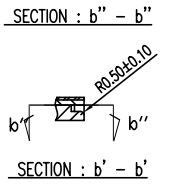
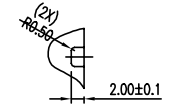
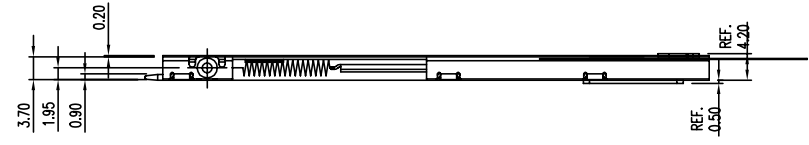
PRODUCT NO.
55640-23401(LF)

FCI CONFIDENTIAL



SMART CARD	FPC	FUNC.
C4	P1	RFU
C3	P2	Clock
C2	P3	Reset
C1	P4	Vcc
SENSOR 1	P5	SENSOR
	P6	Reserved
SENSOR 2	P7	SENSOR
C5	P8	Gnd
C6	P9	Vpp
C7	P10	I/O
C8	P11	RFU
	P12	Reserved

KEEP OUT ZONE
 MYLAR



This document is the property of and embodies CONFIDENTIAL and PROPRIETARY information of FCI. No part of the information shown on this document may be used in any way or disclosed to others without the written consent of FCI. Copyright FCI.

Mark with 10029450 REV. B in area indicated by X.....			
ltr	ecn no	dr	date
K			

Material		SEE NOTES		Spec ref		*	
Mat code		Heattreat		CUSTOMER		tolerance	
Plating/Finish		Dr MIAO SH 2007-07-24		✓		projection	
Eng MIAO SH 2007-07-24		Product family		size		mm	
Chr TAO DANIEL 2007-07-24		Model Name		A3		Scale 1.000	
Appr JOSEPH HSIA 2007-07-24		Model Revision		D		REL Level RELEASED	
FCI title		SMART PLUS B ASSEMBLY HOUSING		dwg no		55640	
Pro/E file		catalog no		*		Rev. K	
				*		sheet 8 of 8	