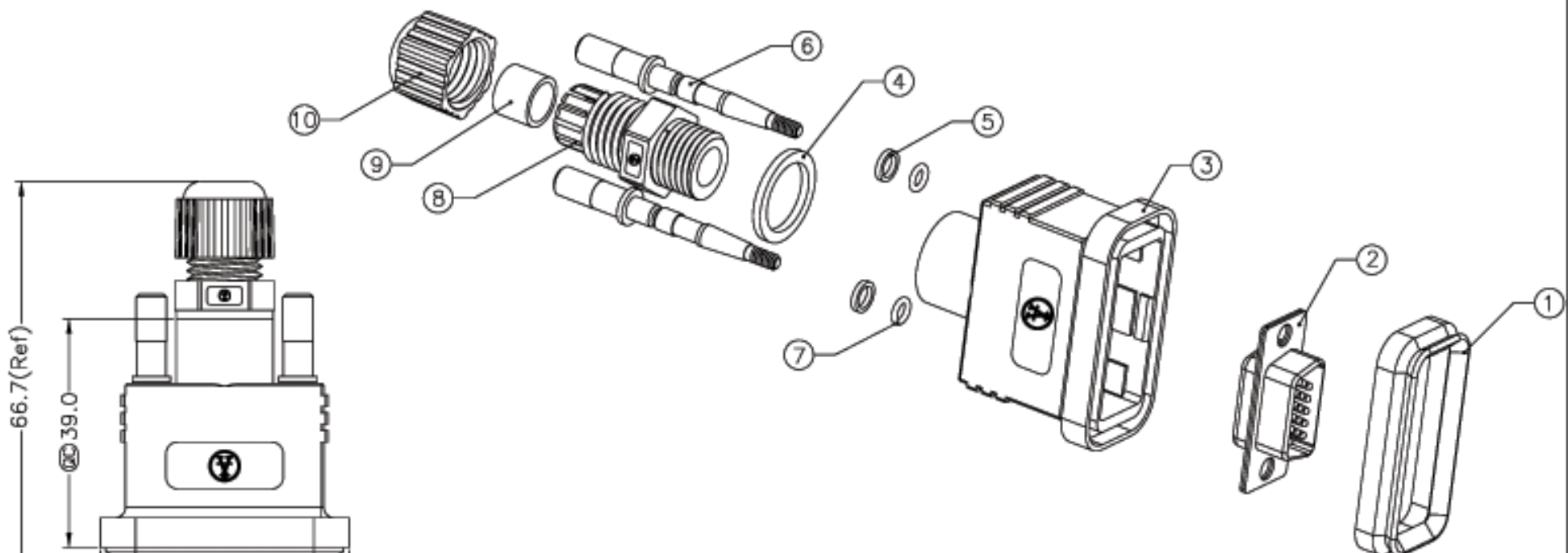


REV.	CON. NO.	DATE	BY	DESCRIPTION



- Note:
- \*  $\varnothing$  Important Dimension.  
( $\varnothing$ 為重點尺寸)
  - \* Waterproof Rate : IP67
  - \* Housing:Black,ABS
  - \* Pin:Copper Alloy,Gold Plated
  - \* Seals for Cable OD: $\varnothing$ 3.5mm~ $\varnothing$ 7.0mm  
Cable適用OD: $\varnothing$ 3.5mm~ $\varnothing$ 7.0mm
  - \* One Set Unassembled in One Zipper Bag(#3)  
每一組裝一夾鏈袋(#3)
  - \* 注意LOGO為Ⓜ

UNIT:mm	$\varnothing$	TITLE D-SUB Conn. Assy Screw HD15P M Conn M Pin
TOLERANCE .X $\pm 0.25$ .XX $\pm 0.1$ .XXX $\pm 0.05$ ANGLES $\pm 1^\circ$	SCALE Free	SHEET 1 OF 1
REV. 01	SIZE A4	$\varnothing$ : Inspection Item



ITEM NO A-HDS-15-HOOD-WP-R	DRAWN BY Gao Ling	DATE 2006/05/11
DWG NO A-HDS-15-HOOD-WP-R	CHECKED BY Robert Hsu	DATE 2006/05/30
	APPROVED BY Max	DATE 2006/06/02