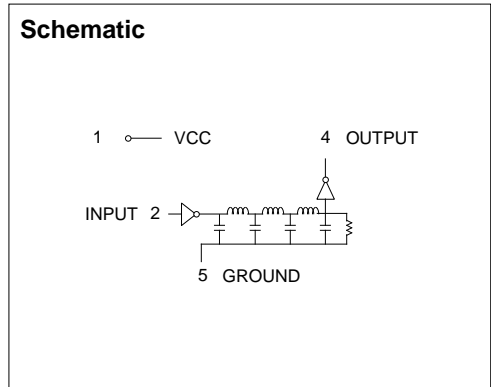


Mini SIL Single Output TTL Compatible Active Delay Lines

TIME DELAYS * (nS) ±5% or ±2 nS†	PART NUMBER	TIME DELAYS * (nS) ±5% or ±2 nS†	PART NUMBER
5	EP9748-5	60	EP9748-60
10	EP9748-10	75	EP9748-75
15	EP9748-15	100	EP9748-100
20	EP9748-20	125	EP9748-125
25	EP9748-25	150	EP9748-150
30	EP9748-30	175	EP9748-175
35	EP9748-35	200	EP9748-200
40	EP9748-40	225	EP9748-225
45	EP9748-45	250	EP9748-250
50	EP9748-50		

† Whichever is greater. *Delay Times referenced from input to leading edges at 25°C, 5.0V, with no load.

DC Electrical Characteristics				
Parameter	Test Conditions	Min	Max	Unit
V _{OH}	High-Level Output Voltage	2.7		V
V _{OL}	Low-Level Output Voltage		0.5	V
V _{IK}	Input Clamp Voltage		-1.2	V
I _{IH}	High-Level Input Current		50	µA
	V _{CC} = min. V _{IH} = min. I _{OH} = max		1.0	mA
	V _{CC} = max. V _{IN} = 2.7V		-2	mA
	V _{CC} = max. V _{IN} = 5.25V		-100	mA
I _{IL}	Low-Level Input Current		75	mA
I _{OS}	Short Circuit Output Current	-40	75	mA
I _{CCH}	High-Level Supply Current		75	mA
I _{CCL}	Low-Level Supply Current		75	mA
T _{RO}	Output Rise Time		4	nS
N _H	Fanout High-Level Output		20 TTL LOAD	
N _L	Fanout Low-Level Output		10 TTL LOAD	



Recommended Operating Conditions				
		Min	Max	Unit
V _{CC}	Supply Voltage	4.75	5.25	V
V _{IH}	High-Level Input Voltage	2.0		V
V _{IL}	Low-Level Input Voltage		0.8	V
I _{IK}	Input Clamp Current		-18	mA
I _{OH}	High-Level Output Current		-1.0	mA
I _{OL}	Low-Level Output Current		20	mA
PW*	Pulse Width of Total Delay	40		%
d*	Duty Cycle		40	%
T _A	Operating Free-Air Temperature	0	+70	°C

*These two values are inter-dependent.

Input Pulse Test Conditions @ 25° C				Unit
E _{IN}	Pulse Input Voltage		3.2	Volts
PW	Pulse Width % of Total Delay		110	%
T _{RI}	Pulse Rise Time (0.75 - 2.4 Volts)		2.0	nS
PRR	Pulse Repetition Rate @ T _d < 200 nS		1.0	MHz
	Pulse Repetition Rate @ T _d > 200 nS		100	KHz
V _{CC}	Supply Voltage		5.0	Volts

