

MAFR-000083-AS1C1T



Single Junction Drop-In Circulator
869 MHz—894 MHz

Rev. B

Applications

- ◆ Wireless Infrastructure

Features

- ◆ RoHS Compliant
- ◆ BeO free

Electrical Specifications

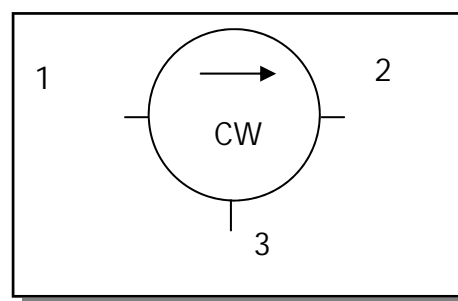
Parameter	Conditions	Units	Min	Typ	Max
Frequency Range		MHz	869		894
Impedance		Ω		50	
Insertion Loss		dB			0.30
Isolation		dB	22		
VSWR					1.2:1

1. All specifications guaranteed over the operating temperature range unless otherwise stated.
2. See Application Note ANI-001 for further details.

Pin Configuration

Terminal	Designation	Function
1	Port 1	In
2	Port 2	Out
3	Port 3	Out

Functional Block Diagram



Absolute Maximum Ratings

Parameter	Conditions	Units	Min	Max
Input Power		W		500
Reverse Power		W		500
Operating Temperature Range		$^{\circ}\text{C}$	-30	+85
Storage Temperature Range		$^{\circ}\text{C}$	-55	+125

Application Notes Available

Application Note	Description
ANI-001	IMD Measurement of Ferrite Isolators and Circulators
ANI-003	Maximum Peak Power of Ferrite Junctions
ANI-004	Base Plate Temperature of Ferrite Isolators and Circulators
ANI-007	Reflow Soldering Guidelines
ANI-008	Curie Temperature of Isolators and Circulators
ANI-009	Tape and Reel Information for Isolators and Circulators

1

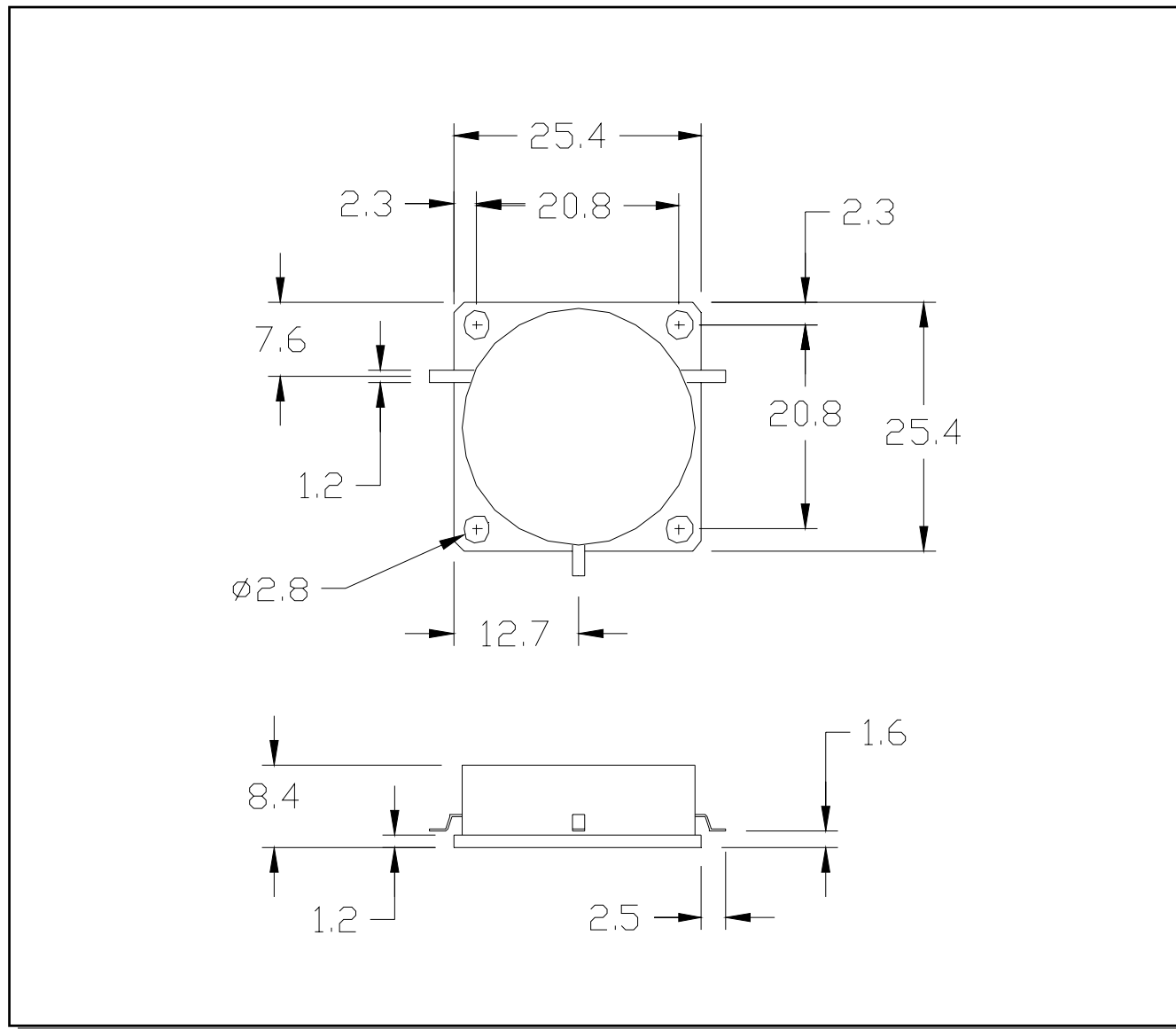
ADVANCED: Data Sheets contain information regarding a product M/A-COM Technology Solutions is considering for development. Performance is based on target specifications, simulated results, and/or prototype measurements. Commitment to develop is not guaranteed.

PRELIMINARY: Data Sheets contain information regarding a product M/A-COM Technology Solutions has under development. Performance is based on engineering tests. Specifications are typical. Mechanical outline has been fixed. Engineering samples and/or test data may be available. Commitment to produce in volume is not guaranteed.

• **North America** Tel: 800.366.2266 • **Europe** Tel: +353.21.244.6400
• **India** Tel: +91.80.43537383 • **China** Tel: +86.21.2407.1588
Visit www.macomtech.com for additional data sheets and product information.

M/A-COM Technology Solutions Inc. and its affiliates reserve the right to make changes to the product(s) or information contained herein without notice.

Outline Drawing



1. Dimensions in mm.
2. Tolerance: ± 0.2 mm unless otherwise noted.
3. Lead thickness is 0.12mm.
4. Model number, lot code and port designation printed on top side of unit.

Plating

Section	Material	Plating
Leads	Copper	Silver
Housing	Steel	Silver

ECO History

Rev	Date	Description	By
B	22/9/2009	Update format	BH