



# Frontier Electronics Corp.

667 E. COCHRAN STREET, SIMI VALLEY, CA 93065

TEL: (805) 522-9998 FAX: (805) 522-9989

E-mail: frontiersales@frontierusa.com

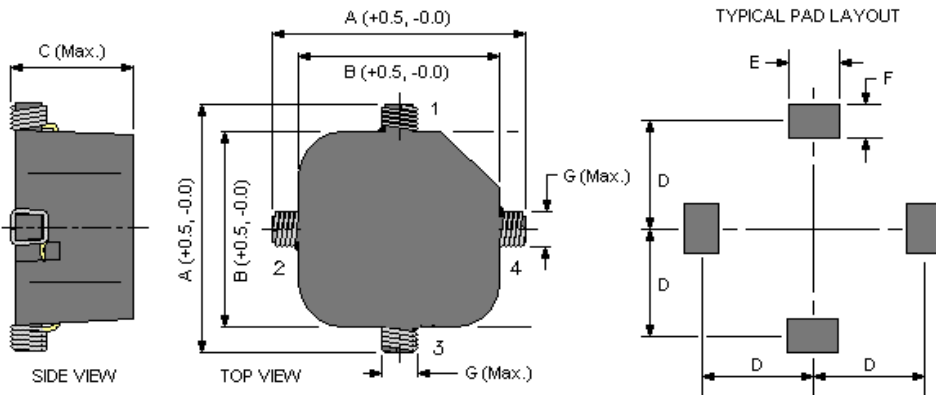
Web: frontierusa.com

## Surface Mount Transformer/Inductor

### A. Mechanical dimension:

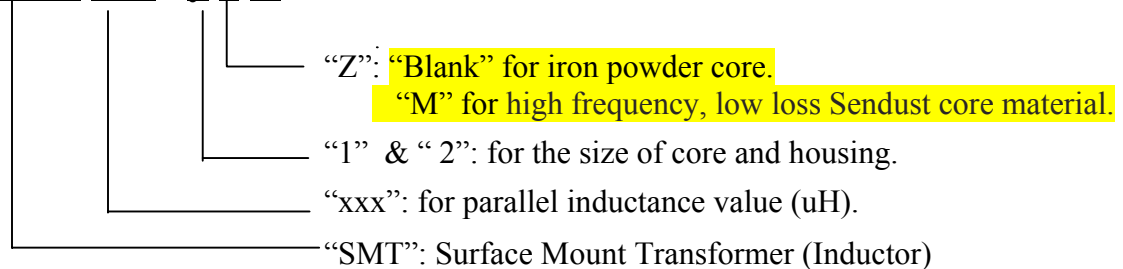
Size(Type)	A	B	C	D	E	F	G
1	12.5	9.5	5.8	5.13	3	2.5	2
2	14.5	12	7	6.38	4.5	2.5	2.8
1M	12.5	9.5	5.8	5.13	3	2.5	2
2M	14.5	12	7	6.38	4.5	2.5	2.8

#### a.) Mechanical drawing and pin positions:

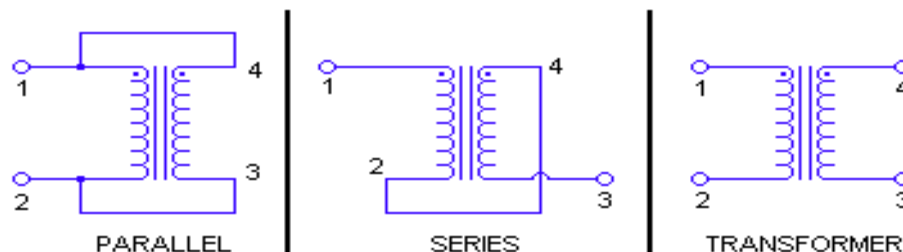


#### b.) Part number key:

**SMT xxx -y z A**



### B. Schematic:



Note: **RoHS** compliant; for the **RoHS** parts, we add “-LFR” at the end of the P/N.



# Frontier Electronics Corp.

667E. COCHRAN STREET, SIMI VALLEY, CA 93065

TEL: (805) 522-9998 FAX: (805) 522-9989

E-mail: frontiersales@frontierusa.com

Web: frontierusa.com

## Surface Mount Transformer/Inductor

### C. Electrical specification:

(The parts below are made with low loss Iron Powder Core material.)

Part No.	Parallel Ratings			Series Ratings			Size (Type)	Test Freq. (KHz)
	L (uH)	Current (Amps)	DCR (Ω)	L (uH)	Current (Amps)	DCR (Ω)		
SMT10-1A	10	2.50	0.046	40	1.250	0.184	1	1
SMT20-1A	20	1.60	0.119	80	0.800	0.480		
SMT50-1A	50	1.02	0.217	200	0.510	0.870		
SMT82-1A	82	0.73	0.444	328	0.365	1.78		
SMT100-1A	100	0.73	0.469	400	0.365	1.88		
SMT200-1A	200	0.50	0.810	800	0.250	3.22		
SMT300-1A	300	0.42	0.950	1200	0.210	3.73		
SMT10-2A	10	4.00	0.036	40	2.000	0.150	2	1
SMT20-2A	20	2.10	0.740	80	1.050	0.300		
SMT50-2A	50	1.35	0.242	200	0.575	0.970		
SMT100-2A	100	0.98	0.332	400	0.475	1.33		
SMT150-2A	150	0.72	0.603	600	0.360	2.42		
SMT250-2A	250	0.60	0.881	1000	0.300	3.53		
SMT300-2A	300	0.55	0.930	1200	0.275	3.72		

(The parts below are made with high frequency, low loss Sendust core material.)

Part No.	Parallel Ratings			Series Ratings			Size (Type)	Test Freq. (KHz)
	L (uH)	Current (Amps)	DCR (Ω)	L (uH)	Current (Amps)	DCR (Ω)		
SMT10-1MA	10	2.50	0.040	40	1.250	0.160	1M	1
SMT20-1MA	20	1.60	0.093	80	0.800	0.372		
SMT50-1MA	50	1.02	0.175	200	0.510	0.700		
SMT82-1MA	82	0.73	0.320	328	0.365	1.280		
SMT100-1MA	100	0.73	0.375	400	0.365	1.500		
SMT200-1MA	200	0.50	0.448	800	0.250	1.792		
SMT300-1MA	300	0.42	0.733	1200	0.210	2.932		
SMT10-2MA	10	4.00	0.021	40	2.000	0.084	2M	1
SMT20-2MA	20	2.10	0.042	80	1.050	0.158		
SMT50-2MA	50	1.35	0.066	200	0.575	0.352		
SMT100-2MA	100	0.88	0.158	400	0.475	0.632		
SMT150-2MA	150	0.72	0.170	600	0.360	0.680		
SMT250-2MA	250	0.62	0.420	1000	0.300	1.680		
SMT300-2MA	300	0.55	0.560	1200	0.275	2.240		

Note: **RoHS** compliant; for the **RoHS** parts, we add "**-LFR**" at the end of the P/N.