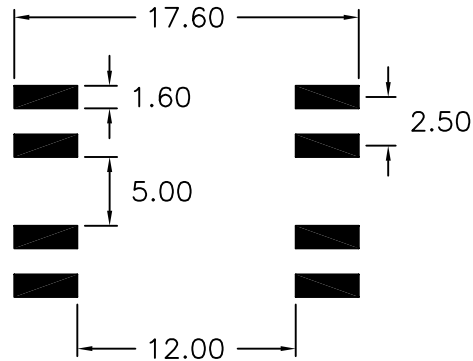
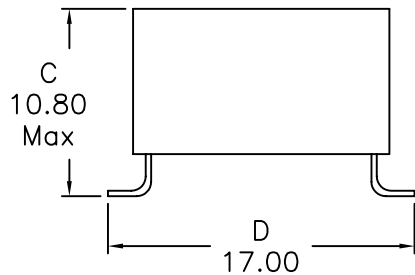
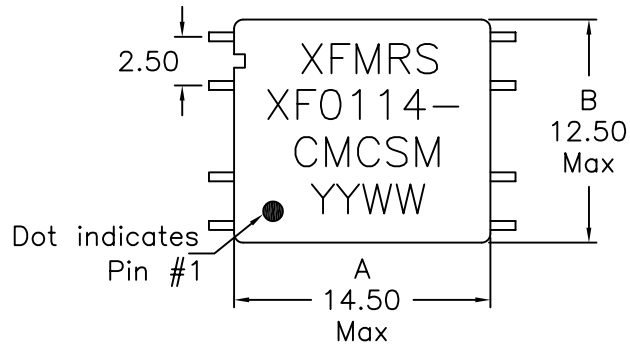
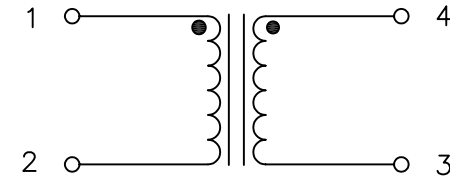


1. Mechanical Dimensions:



2. Schematic:



3. Electrical Specifications: @25°C

OCL: 1.1mH+50/-30% @10KHz 0.1V, Each Wdg
 DCR: 0.070 Ohms Max, Each Wdg
 Rated Current: 2A
 Turns Ratio: Pins (1-2):(4-3)=1:1±5%
 Isolation: 1500Vac, Wdg to Wdg, 2Sec

Notes:

- Solderability: Leads shall meet MIL-STD-202, Method 208D for solderability.
- Flammability: UL94V-0
- ASTM oxygen index: > 28%
- Insulation System: Class F 155°C. UL file E151556
- Operating Temperature Range: All listed parameters are to be within tolerance from -40°C to +85°C
- Storage Temperature Range: -55°C to +125°C
- Aqueous wash compatible

XFMRS Inc	Title: CMC		
UNLESS OTHERWISE SPECIFIED TOLERANCES: .xx ±0.25 Dimensions in MM	P/N: XF0114-CMCSM		REV. A
	DWN.	罗振江	Dec-03-03
	CHK.	廖玉坤	Dec-03-03
SHEET 1 OF 1	APP.	Isaiah M	Dec-03-03

DOC REV: A/3