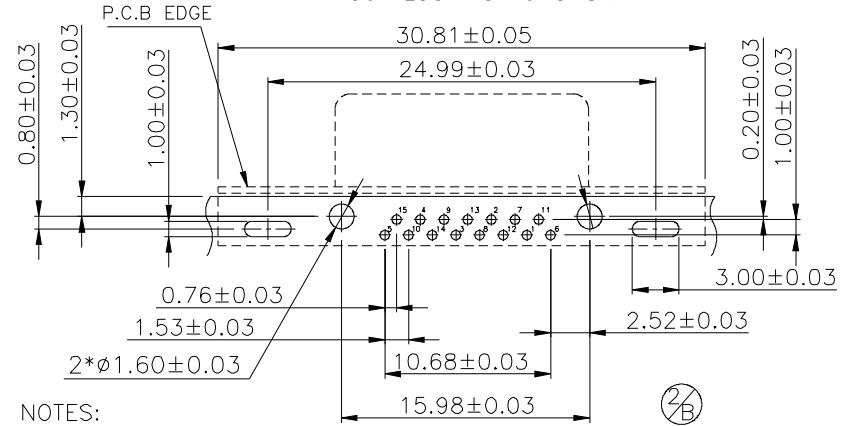
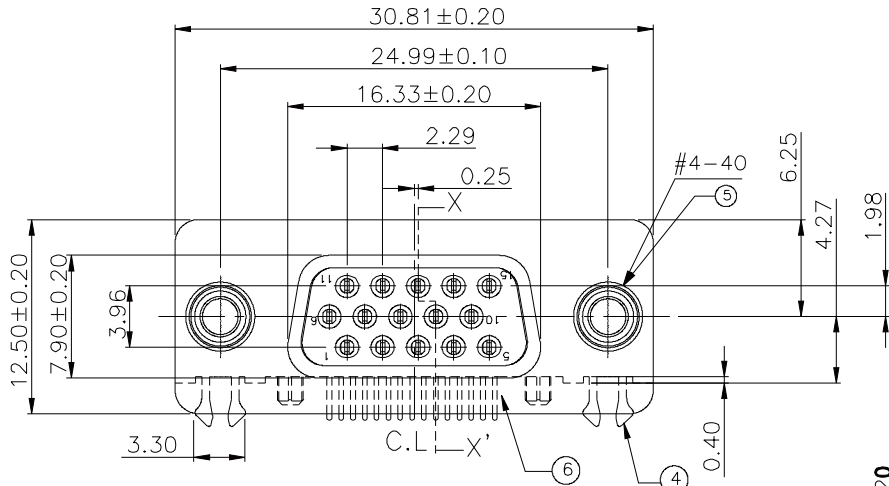


RECOMMENDED P.C.B LAYOUT (Component Side)
(P.C.B THICKNESS:1.6T)
WITHOUT LOCKING FUNCTION



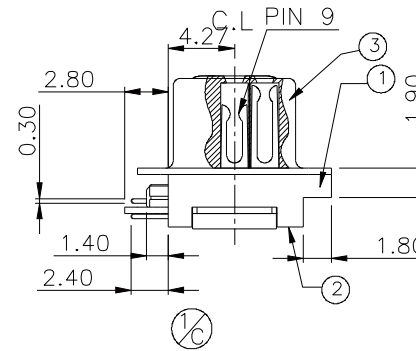
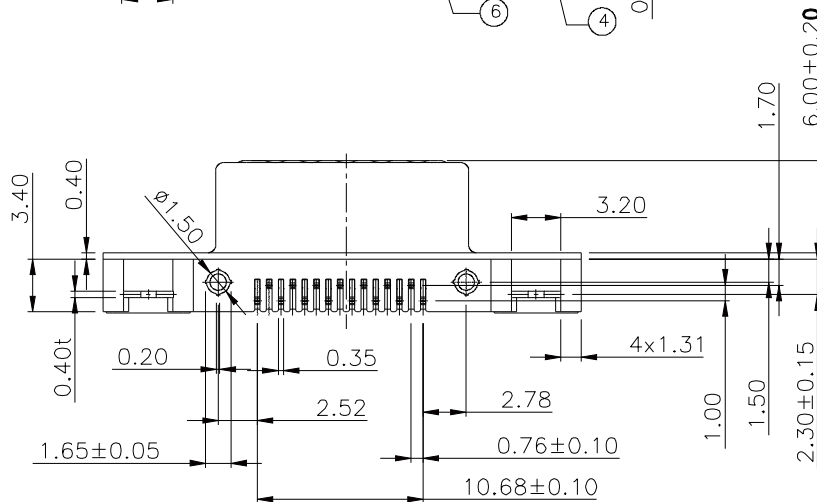
NOTES:

070553FR015 SX 06 X U

COLOR CODE:
Z-BLACK
C-BLUE(661C)

CONTACT PLATED

- 'S1,-05U" MIN. GOLD IN CONTACT AREA/
100U" MIN. TIN IN SOLDER AREA.
- 'S2-GOLD FLASH IN CONTACT./
100U" MIN. TIN IN SOLDER AREA.
- 'S3,-10U" MIN. GOLD IN CONTACT AREA/
100U" MIN. TIN IN SOLDER AREA.
- 'S4,-15U" MIN. GOLD IN CONTACT AREA/
100U" MIN. TIN IN SOLDER AREA.
- 'S5,-30U" MIN. GOLD IN CONTACT AREA/
100U" MIN. TIN IN SOLDER AREA.
- 'S6,-50U" MIN. GOLD IN CONTACT AREA/
100U" MIN. TIN IN SOLDER AREA.



NO.	DESCRIPTION	MATERIAL	COLOR	REMARK
6	TERMINAL	COPPER ALLOY	—	GOLD/TIN PLATED
5	RIVET	COPPER ALLOY	—	NICKEL PLATED
4	FORK	COPPER ALLOY	—	TIN PLATED
3	SHELL	METAL	—	NICKEL PLATED
2	COVER	HIGH TEMP PLASTICS	—	UL 94V-0
1	HOUSING	HIGH TEMP PLASTICS	—	UL 94V-0

SUYIN
CONNECTOR

CUSTOMER COPY	TITLE:	15 PIN D-SUB CONNECTOR FEMALE R/A TYPE LOW PROFILE
PART NO.	070553FR015SX06XU	
PRODUCT SPEC.	070553FR/7853S	
FILE NAME.	D I N G	070553FR015SX06XU-C
SCALE	2:1	UNIT:mm A4 SHEET: 1 of 2

ECN(DCN) NO.	REV	DATE	DESCRIPTION	CHANGE	APPRO.	GENERAL TOLERANCE UNLESS OTHERWISE NOTED
EC1B-070416-07	C	07' / 04 / 16	C1:取消STAND OFF面1° 斜面	扈 勇	許俊賢	Angle ±2'
EC1B-060912-09	B	06' / 09 / 12	B1:變更圖框及合併業務圖及包裝示意圖;B2:重標PCB公差;	官祝東	許俊賢	30 ~ ±0.50
EC1T-060427-03	A	06' / 04 / 27	A1:ADD->070553FR015SX06ZU;A2:ADD->RoHS;	王淑麗	李儒平	10 ~ 30 ±0.30
	0	03' / 11 / 20	NEW	宋勃逸	陳清照	~ 10 ±0.15

DRAW	扈 勇	07' / 04 / 16
DESIGN	扈 勇	07' / 04 / 16
CHECK	賀 敏	07' / 04 / 16
APPRO.	許俊賢	07' / 04 / 16