



CANTHERM

Supplying high-quality bimetal and thermal sensor products.

CFW Precision NTC Thermistor Probes for Temperature Measurement

The CFW series NTC Thermistors are supplied in 5 basic styles of enclosures designed to facilitate installation in a wide variety of applications. PVC leads are applied to a precision, high-reliability NTC thermistor, insulated with heat conductive water resistant materials and potted into any of a wide variety of probe bodies. CFW thermistors are also available with custom housings or custom lead lengths for remote sensing and temperature control in difficult conditions.



Application

- Heating, Ventilation & Air Conditioning
- Temperature Regulation and Measurement
- Automotive Electronics
- Water Heaters
- Household Appliances such as refrigerators, water coolers, dishwashers and many others

Characteristics

- Wide variety of installation fixtures and probes are available to suit your needs.
- Small size and fast response (temperature coefficient of resistance can reach - (2~5%/°C)
- Long-term Stability and Reliability (yearly drift of $\leq 1\%$)
- Excellent Tolerance and Interchangeability (the accuracy of R and B value can be $\pm 1\%$)
- Double layer packaging provides excellent insulation and high strength and impact resistance.
- Dissipation Constant type 1 package $\geq 2.0\text{mW}/^\circ\text{C}$, type 2 package $\geq 4.0\text{mW}/^\circ\text{C}$
- Time Constant of $\leq 15\text{S}$ to 70S



CANTHERM

8415 Mountain Sights Avenue • Montreal (Quebec), H4P 2B8, Canada

Tel: (514) 739-3274 • 1-800-561-7207 • Fax: (514) 739-2902

E-mail: sales@cantherm.com • Website: www.cantherm.com

2006/Mar



CANTHERM

Supplying high-quality bimetal and thermal sensor products.

➤ Dimensions (mm)



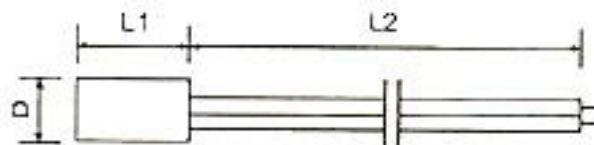
Ethoxyline Resin Coated

Code	A	B	C	D
D	3	5	6	7
L1	5	10	15	15
L2	Customer Specified			

CWF1 (Ethoxyline dipped)

Characteristics: Moisture resistant, good insulation, high reliability, small time constant, quick responses.

Applications: Household air-conditioning, refrigeration and many others.



Packaged in Aluminum, Copper, or Stainless Steel Housing

Code	A	B	C	D	E	F	G
D	3	5	5	5	6	6	6
L1	20	20	25	30	20	25	30
L2	Customer Specified						

CWF2 (Packaged in aluminum, copper, or stainless steel probe body)

Characteristics: High resistance to thermal shock, moisture resistant, strong and secure structure, high dissipation coefficient, the test current can be higher than that of the ethoxyline resin-package.

Applications: All kinds of refrigeration, air-conditioning, water heaters, drinking fountains, and more.



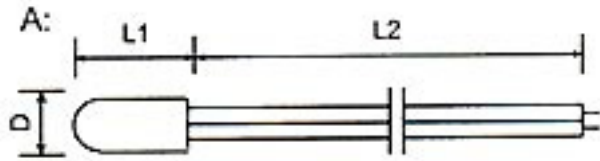
CANTHERM

8415 Mountain Sights Avenue • Montreal (Quebec), H4P 2B8, Canada
Tel: (514) 739-3274 • 1-800-561-7207 • **Fax:** (514) 739-2902
E-mail: sales@cantherm.com • **Website:** www.cantherm.com

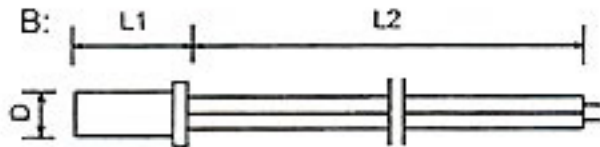


CANTHERM

Supplying high-quality bimetal and thermal sensor products.



Code	A	B	C	D
D	3	3.5	4	5
L1	10	15	15	15
L2	Customer Specified			



Code	A	B
D	8	8
L1	35	50
L2	Customer Specified	

CWF3 (Plastic body)

Characteristics: Good dimensional tolerances, good heat resistance and moisture protection, high voltage resistance.

Applications: All kinds of Air-conditioning, refrigeration, and more.



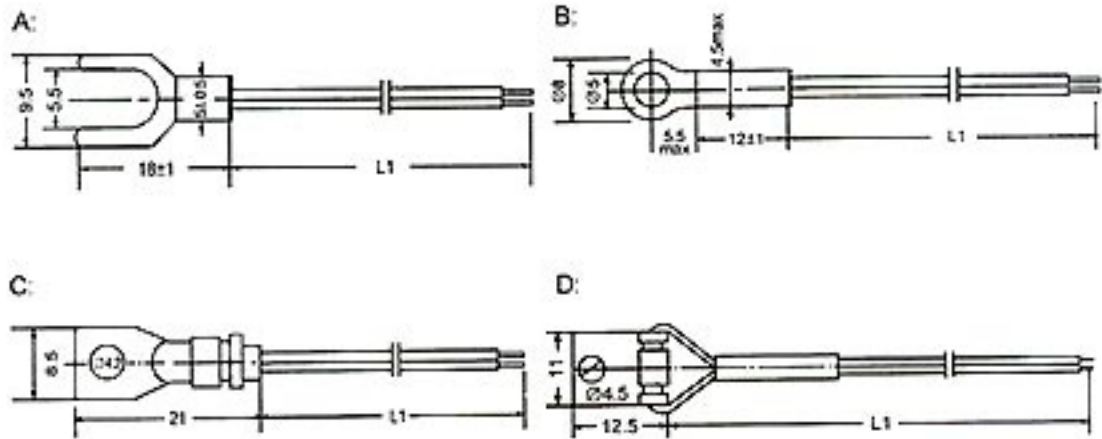
CANTHERM

8415 Mountain Sights Avenue • Montreal (Quebec), H4P 2B8, Canada
 Tel: (514) 739-3274 • 1-800-561-7207 • Fax: (514) 739-2902
 E-mail: sales@cantherm.com • Website: www.cantherm.com



CANTHERM

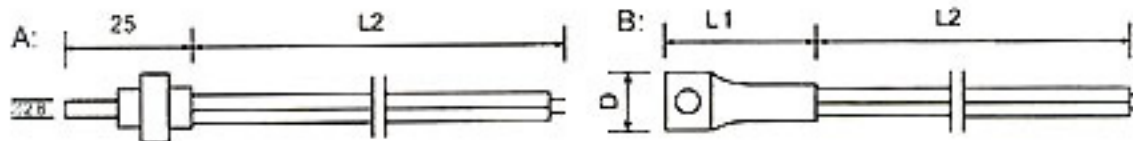
Supplying high-quality bimetal and thermal sensor products.



CWF4 (Sheet metal attachment fixtures)

Characteristics: Wide variety of fixtures, suitable for most applications.

Applications: Fan control, industrial temperature controllers, and more.



CWF5 (Special probes)

Characteristics: Small time constant, fast response, flexible and secure.

Applications: Water heaters, electronic thermometers, and more.



CANTHERM

8415 Mountain Sights Avenue • Montreal (Quebec), H4P 2B8, Canada
Tel: (514) 739-3274 • 1-800-561-7207 • Fax: (514) 739-2902
E-mail: sales@cantherm.com • Website: www.cantherm.com



CANTHERM

Supplying high-quality bimetal and thermal sensor products.

Specification

C W F

□ — 103

J

3380

①

②

③

④

⑤

- ① NTC Temp sensor
- ② Package Option
 - 1- Dipped ethoxyline resin
 - 2- Aluminum, copper, or stainless steel housing
 - 3- Plastic body
 - 4- Sheet metal attachment fixtures
 - 5- Special probes
- ③ The Rated Resistance at 25°C
Example: 103 = 10 × 103 = 10000Ω = 10KΩ
- ④ The Precision Symbol of Rated Resistance
F: ±1% G: ±2% H: ±3% J: ±5%
- ⑤ B value (25/50°C) B value example: 3380K

Main Techno-Parameter

Part No.	Rated Resistance R ₂₅		B Value (25/50°C)		Dissi. Coef. (mW/°C)	Thermal time Constant (S)	Operating Temp. (°C)
	Range (KΩ)	Allowable Tolerance (%)	(K)	Allowable Tolerance (%)			
CWF□□□3100	0.1-20		3100				
CWF□□□3270	0.2-20		3270				
CWF□□□3380	0.5-50	+/- 1	3380			To type 1 package ≤ 15	
CWF□□□3470	0.5-50		3470				
CWF□□□3600	1-100	+/- 2	3600	+/- 1	To type 1 package ≥ 2.0		-55 to +125
CWF□□□3950	5-100		3950				
CWF□□□4000	5-100		4000	+/- 2			
CWF□□□4050	5°-200	+/- 3	4050		To type 2 package ≥ 4.0	To type 2 package ≤ 70	
CWF□□□4150	10-250		4150				
CWF□□□4300	20-1000	+/- 4	4300				
CWF□□□4500	20-1000		4500				



CANTHERM

8415 Mountain Sights Avenue • Montreal (Quebec), H4P 2B8, Canada
 Tel: (514) 739-3274 • 1-800-561-7207 • Fax: (514) 739-2902
 E-mail: sales@cantherm.com • Website: www.cantherm.com