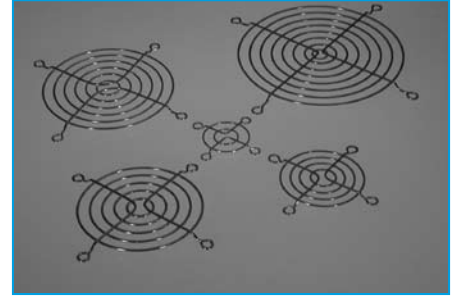


FAN ACCESSORIES

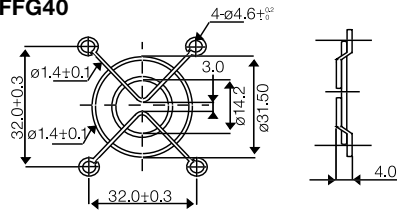
METAL FINGER GUARD

- Welded
- Nickel - Chrome Plated Steel

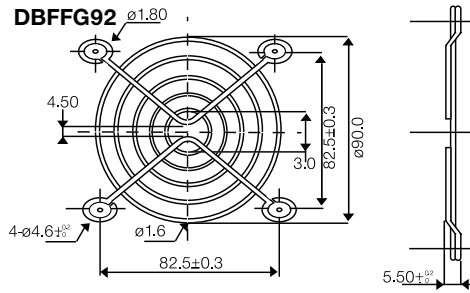


EXTERNAL DIMENSIONS

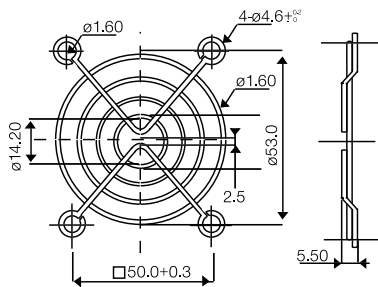
DBFFG40



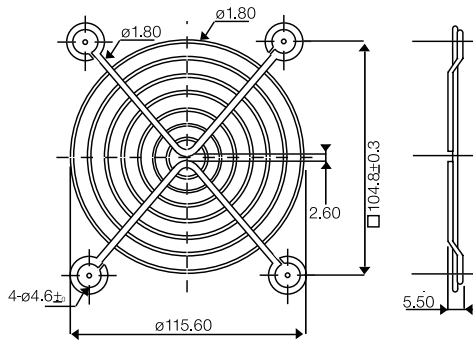
DBFFG92



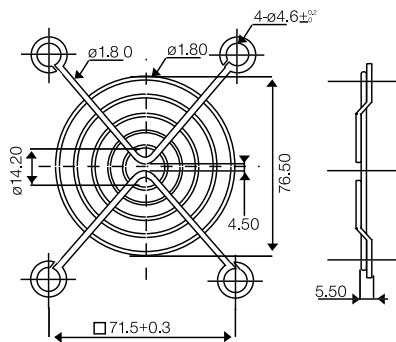
DBFFG60



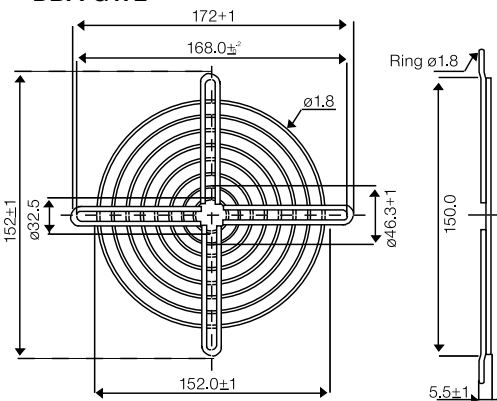
DBFFG120



DBFFG80



DBFFG172



SECTION 12

ORDERING INFORMATION

DBF	FG	40
Dubilier Fans	Finger Guard	Size
		40=40mm
		60=60mm
		80=80mm
		92=92mm
		120=120mm
		172=172mm