

Model(型號): **CARRON FILM TRIMMER POTENTIOMETER-----H06M[x] [x] [x] V1**

[▶ Download PDF file](#)

Features:(特點):

Compact design with a good space factor

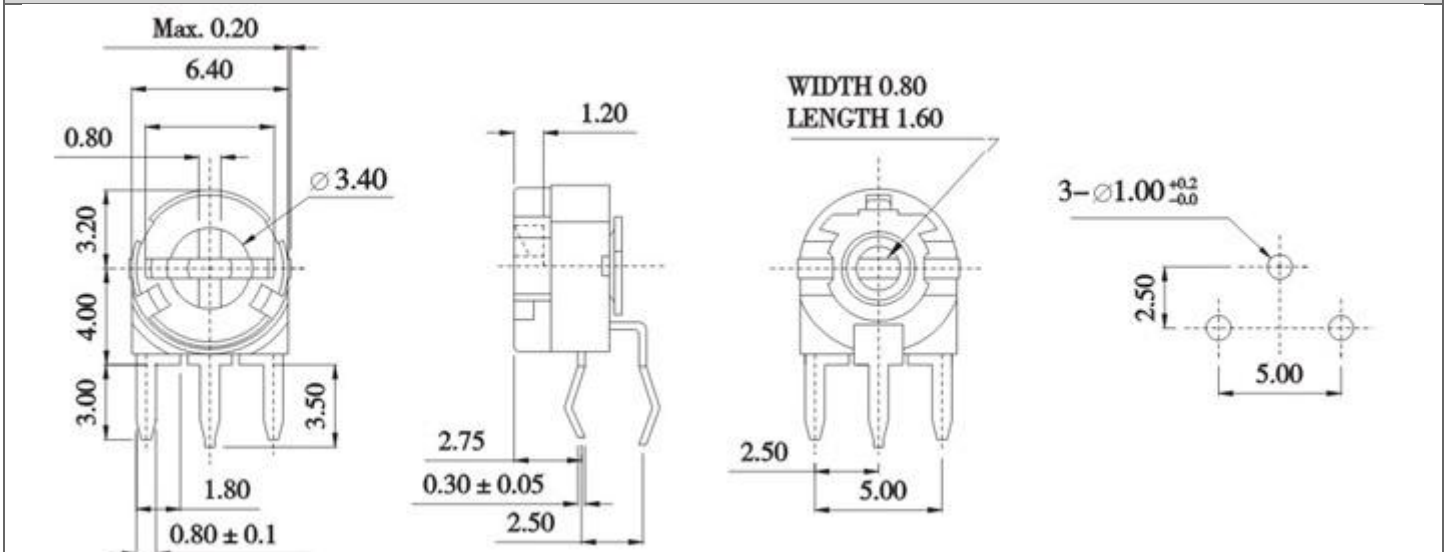


Applications(作用):

For volume controls, electronic tuning and brightness control in radio , headphone stereo,liquidcrystal TV set,personal computer, CD-ROM,ect.

□□□	Resistance	□□□	Resistance	□□□	Resistance	□□□	Resistance
101	100Ω	302	3KΩ	203	20KΩ	204	200KΩ
201	200Ω	332	3.3KΩ	223	22KΩ	254	250KΩ
301	300Ω	472	4.7KΩ	303	30KΩ	304	300KΩ
501	500Ω	502	5KΩ	473	47KΩ	504	500KΩ
102	1KΩ	682	6.8KΩ	503	50KΩ	105	1MΩ
202	2KΩ	103	10KΩ	104	100KΩ	205	2MΩ

Dimensions(規格圖):



Specifications(規格)

Electrical Characteristics [電氣性能]	
Total resistance [全阻抗值]	100Ω - 1MΩ
Total resistance tolerance [全阻抗值容許差]	±30%
Ratings power(w) [額定功率]	0.1W
Resistance taper [阻抗變化特性]	Taper B
Sliding noise [滑動雜音]	150mV Max.
Temperature characteristics(70°C,5Hrs) [溫度特性]	-15~5% Max.
Insulation resistance [絕緣阻抗]	100MΩ Min. at DC 100V.
Max. operating voltage [最高使用電壓]	AC 100V at 50°C
Solder heat resistance [溫焊錫耐熱性]	240°C ~ 280°C , 5s or 280°C ~300°C , 3s
Mechanical Characteristics [機械性能]	
Operation torque [回轉力矩]	20~350gf . cm
Rotation stopper strength [止動強度]	0.5Kgf . cm Min.
Total rotational angle [回轉角度]	210 ±10°
Endurance Characteristics [耐久性能]	
Rotational life [回轉壽命]	More than 100 turns. Following 50 ±2 rotation without load. Change in total resistance value to be within ±20% Max. [100 轉以上, 以無負荷 50 ±2 回轉後, 全阻值變化在 ±20%以內]

[Http://www.productwell.com](http://www.productwell.com) E-Mail: pwlhk@productwell.com

Tel: (852)2687 3208 Fax: (852)2687 3336