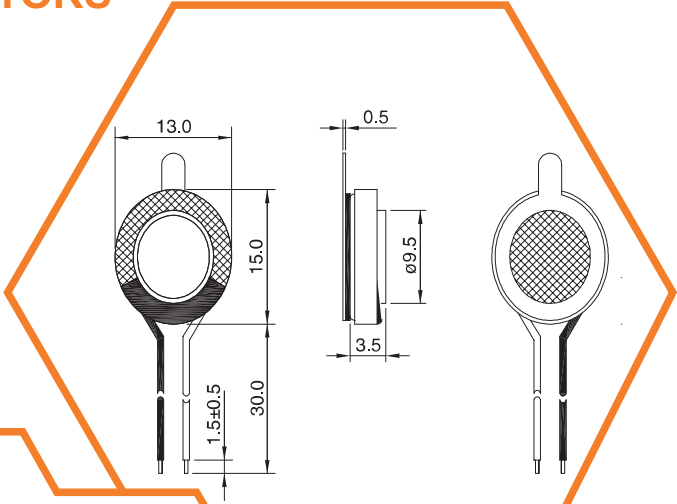
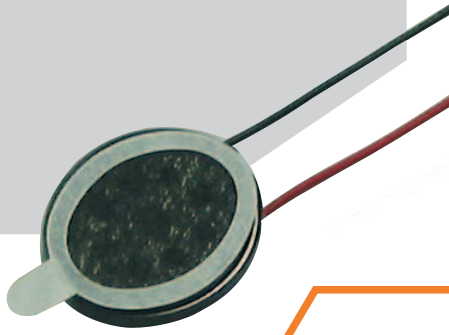
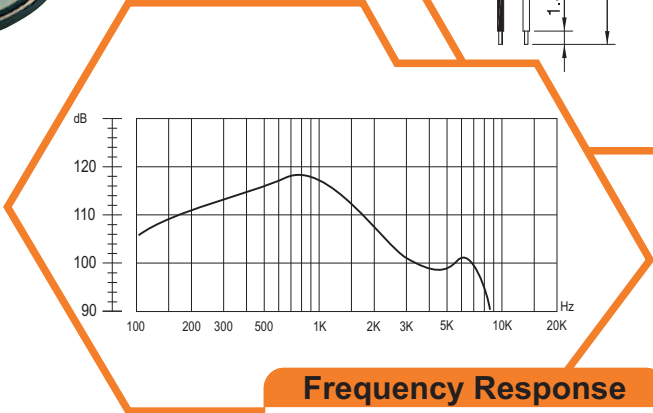


**SoniCrest**  
**SPEAKER SOUND GENERATORS**

**HSC1315A**



**Dimension**  
 Unit : mm  
 Tolerance : ±0.3mm



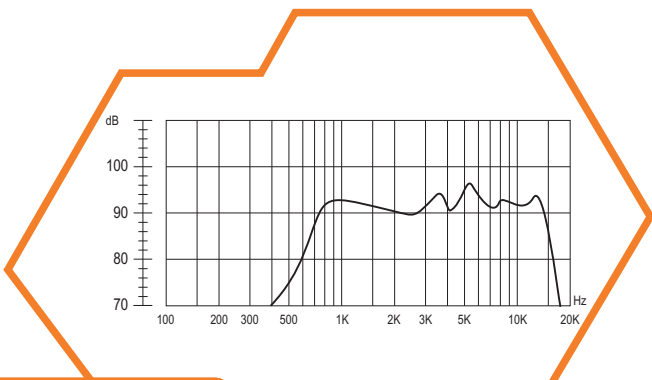
**Frequency Response**  
 Applied Voltage : 100mV, Sine Wave  
 Based on IEC-R318 Standard

● **Specification** (all data taken at 25°C unless otherwise specified)

Coil Impedance (Ω)	Rated Power (mW)	Maximum Input Power (mW)	★Sensitivity at 1kHz (dB)	★Frequency Range (Hz)	Total Harmonic Distortion (THD)	Operating Temperature (°C)	Storage Temperature (°C)
8 ±15%	50	100	116 ± 3	300 ~ 3400	< 5%	-30 ~ +60	-30 ~ +60

**Receiver**

The specification are only for 8Ω version. Specification for other impedance is available upon request.  
 ★value Applied 100mV Input Power and Based on IEC-R318 Standard.



**Frequency Response**  
 Normalized to 0.1W Input Power and  
 0.1m Measuring Distance

● **Specification** (all data taken at 25°C unless otherwise specified)

Coil Impedance (Ω)	Rated Power (W)	Maximum Input Power (W)	Resonance Frequency (Hz)	★Frequency Range (Hz)	★Sound Output at 1kHz (dB)	Operating Temperature (°C)	Storage Temperature (°C)
8 ± 15%	0.5	0.8	800 ± 20%	800 ~ 20000	85 ± 3	-30 ~ +60	-30 ~ +60

**Speaker**

The specification are only for 8Ω version. Specification for other impedance is available upon request.  
 ★Value normalized to 0.1W input power and 0.1m measuring distance.