

P-tec Corp. Tel:(800)688-0613  
 2405 Commerce Circle Tel:(719) 589 3122  
 Alamosa Co. 81101 Fax:(719) 589 3592  
 www.p-tec.net sales@p-tec.net



## PD30 Single Digit 7 Segment 4.0" LED Display

### Features

- \*Single Digit 4.0" (101.6mm) Ultra Bright Red Display with 10 Pins
- \*Low Current Requirements
- \*High Light Output
- \*IC Compatible
- \*High Reliability
- \*Gray Face, White Segments
- \*RoHS Compliant

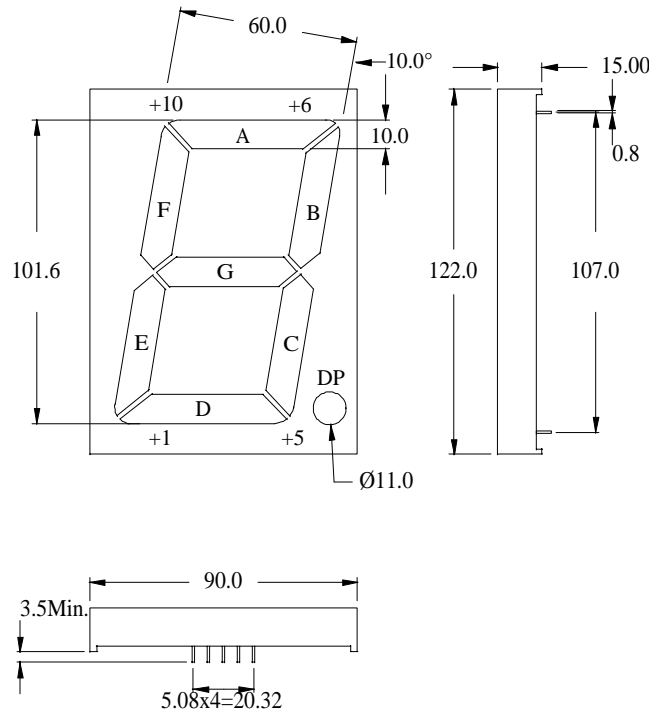
### Absolute Maximum Ratings at T<sub>A</sub> = 25°C

Power Dissipation (Segment / DP).....	288 / 144mW
Reverse Voltage (<100 μA).....	5.0V
Max Forward Current.....	30mA
Peak Forward Current (1/10 Duty Cycle, 0.1ms Pulse Width).....	100mA
Operating Temperature Range .....	-25°C to +85°C
Storage Temperature Range.....	-40°C to +100°C
Soldering Temperature (1.6mm below body).....	260°C for 5 seconds

### Electrical & Optical Characteristics at T<sub>A</sub> = 25°C

Part Number		Emitting Color	Chip Material	Dominant Wave Length	Peak Wave Length	Forward Voltage @20mA (V)				Luminous Intensity @10mA (mcd)	
						Segment		DP		Min	Typ
Common Anode	Common Cathode			nm	nm	Typ	Max	Typ	Max	Min	Typ
PD30-CADR09	PD30-CCDR09	Hyper Red	AlGaInP	625	632	7.6	9.6	3.8	4.8	60.0	85.0

All Dimensions are in **Millimeters**. Tolerance is ± 0.25mm unless otherwise specified. The Slope Angle of any Pin maybe +/- .5° max.



Pin Function	
Common Anode Pin #	Common Cathode Pin #
1 Common Anode	1 Common Cathode
2 Cathode E	2 Anode E
3 Cathode D	3 Anode D
4 Cathode C	4 Anode C
5 Cathode DP	5 Anode DP
6 Cathode B	6 Anode B
7 Cathode A	7 Anode A
8 Common Anode	8 Common Cathode
9 Cathode F	9 Anode F
10 Cathode G	10 Anode G