



# TAI-SAW TECHNOLOGY CO., LTD.

No. 3, Industrial 2nd Rd., Ping-Chen Industrial District,  
Taoyuan, 324, Taiwan, R.O.C.

TEL: 886-3-4690038 FAX: 886-3-4697532

E-mail: [tstsales@mail.taisaw.com](mailto:tstsales@mail.taisaw.com) Web: [www.taisaw.com](http://www.taisaw.com)

## Approval Sheet For Product Specification

Issued Date:

Product Name: SAW Filter 868.6MHz SMD 3.8×3.8mm

TST Parts No.:TA0538A

Customer Parts No.:\_\_\_\_\_

Company:_____
Division:_____
Approved by :_____
Date:_____

Checked by:\_\_\_\_\_ Elvis Chiu

Approval by:\_\_\_\_\_ Francis Chen

Date:\_\_\_\_\_ 2006/01/24



# TAI-SAW TECHNOLOGY CO., LTD.

No. 3, Industrial 2nd Rd., Ping-Chen Industrial District,  
Taoyuan, 324, Taiwan, R.O.C.

TEL: 886-3-4690038 FAX: 886-3-4697532

E-mail: [tstsales@mail.taisaw.com](mailto:tstsales@mail.taisaw.com) Web: [www.taisaw.com](http://www.taisaw.com)

## SAW Filter 868.6 MHz

MODEL NO.: TA0538A

REV. NO.:2

### A. MAXIMUM RATING:

1. Input Power Level: 10 dB<sub>m</sub>
2. DC voltage: 5 V
3. Operating Temperature: -40°C to 85°C
4. Storage Temperature: -40°C to +85°C

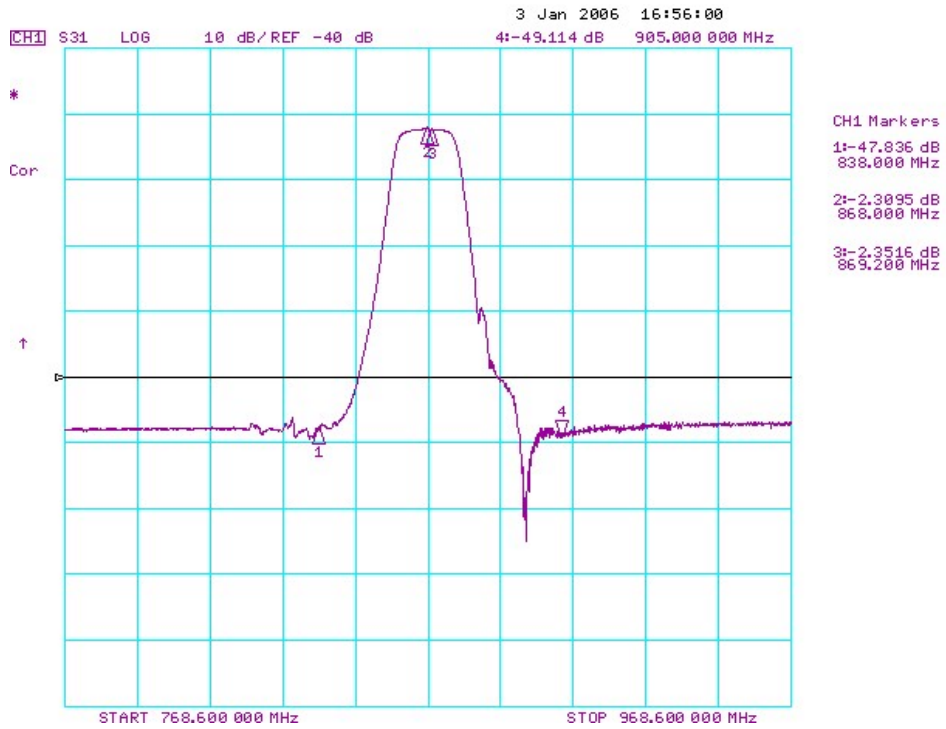
RoHS Compliant  
Lead free  
Lead-free soldering

### B. CHARACTERISTICS:

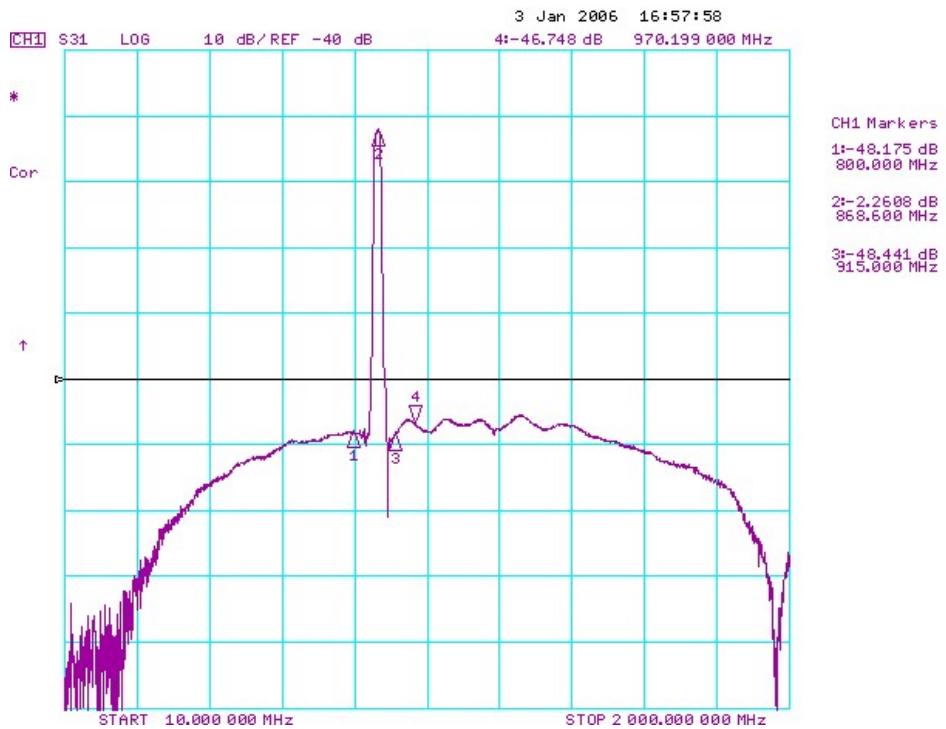
Item				Min.	Typ.	Max.
Center frequency	Fc	MHz		-	868.5	-
Insertion loss	868 ~ 869.2 MHz	IL	dB	-	2.4	4.0
Amplitude ripple	868 ~ 869.2 MHz		dB	-	0.1	1.4
Attenuation (Reference level from 0dB)						
	10 ~ 800	MHz	dB	40	48	-
	800 ~ 838	MHz	dB	35	46	-
	905 ~ 915	MHz	dB	35	48	-
	915 ~ 970	MHz	dB	38	46	-
Source impedance		Zs	Ω	-	50	-
Load impedance		ZL	Ω	-	50	-

Note1. No matching network required for operation at 50Ω

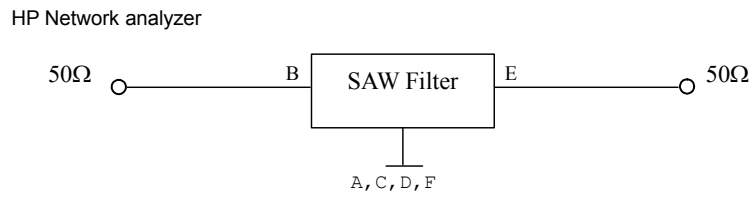
### C. TRANSFER FUNCTION:



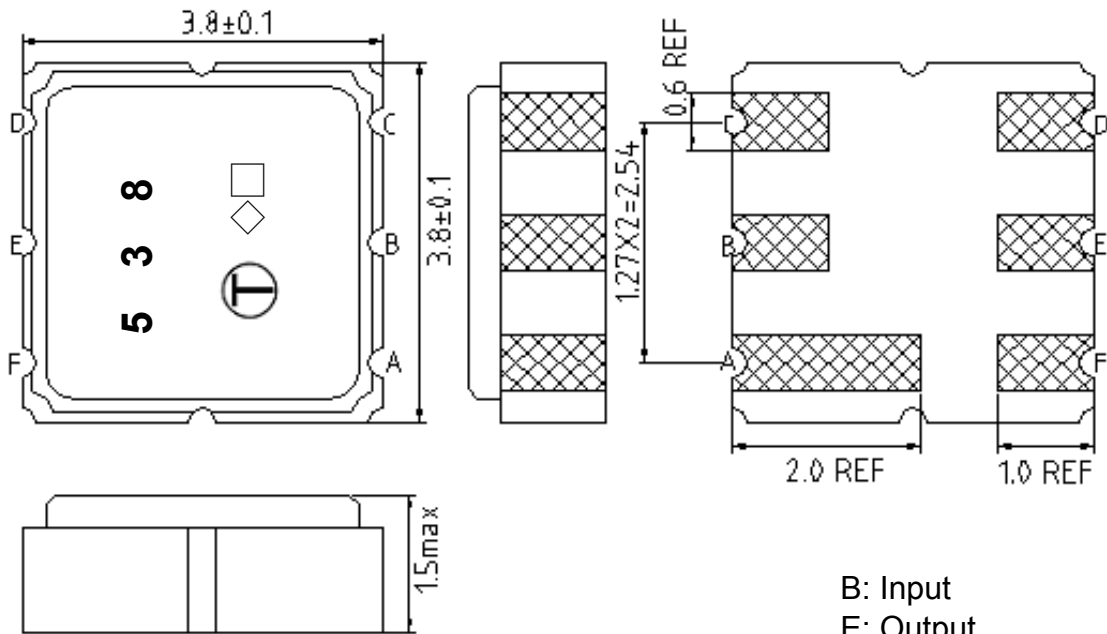
### Wideband



**D. MEASUREMENT CIRCUIT:**



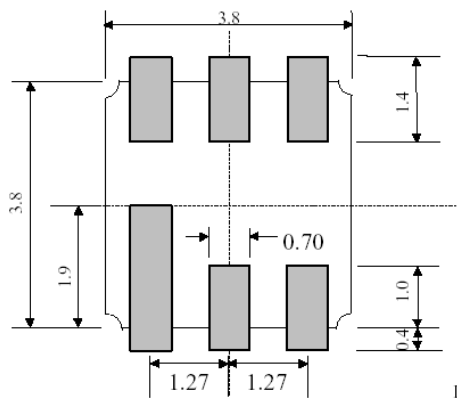
**E. OUTLINE DRAWING:**



B: Input  
 E: Output  
 A,C,D,F: Ground  
 Unit : mm  
 ◇ : Year Code  
 □ : Date code

	Odd Year	Even Year
Year Code	A	a

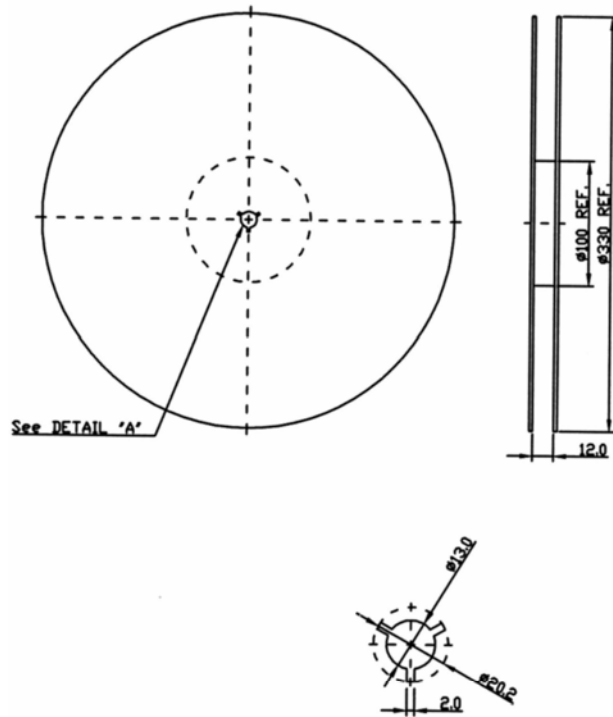
**F. PCB FOOTPRINT:**



Dimensions in mm

**G. PACKING:**

**1. REEL DIMENSION**



**2. TAPE DIMENSION**

