



TAI-SAW TECHNOLOGY CO., LTD.

No. 3, Industrial 2nd Rd., Ping-Chen Industrial District,
Taoyuan, 324, Taiwan, R.O.C.

TEL: 886-3-4690038 FAX: 886-3-4697532

E-mail: tstsales@mail.taisaw.com Web: www.taisaw.com

Approval Sheet For Product Specification

Issued Date:

Product Name: SAW Filter 315MHz SMD 3.8×3.8mm

TST Parts No.: TA0705A

Customer Parts No.: _____

Company: _____
Division: _____
Approved by : _____
Date: _____

Checked by: _____ Asin Lin

Approval by: _____ Francis Chen

Date: _____ 2007/07/04



TAI-SAW TECHNOLOGY CO., LTD.

No. 3, Industrial 2nd Rd., Ping-Chen Industrial District,
Taoyuan, 324, Taiwan, R.O.C.

TEL: 886-3-4690038 FAX: 886-3-4697532

E-mail: tstsales@mail.taisaw.com Web: www.taisaw.com

SAW Filter 315 MHz

MODEL NO.: TA0705A

REV. NO.:1

A. MAXIMUM RATING:

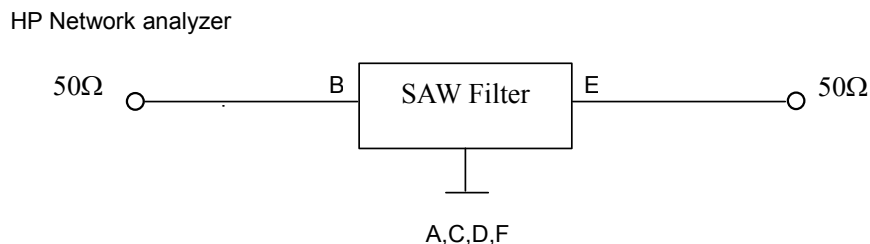
1. Input Power Level: 10 dB_m
2. DC voltage: 3 V
3. Operating Temperature: -40°C to 85°C
4. Storage Temperature: -40°C to +85°C

RoHS Compliant
Lead free
Lead-free soldering

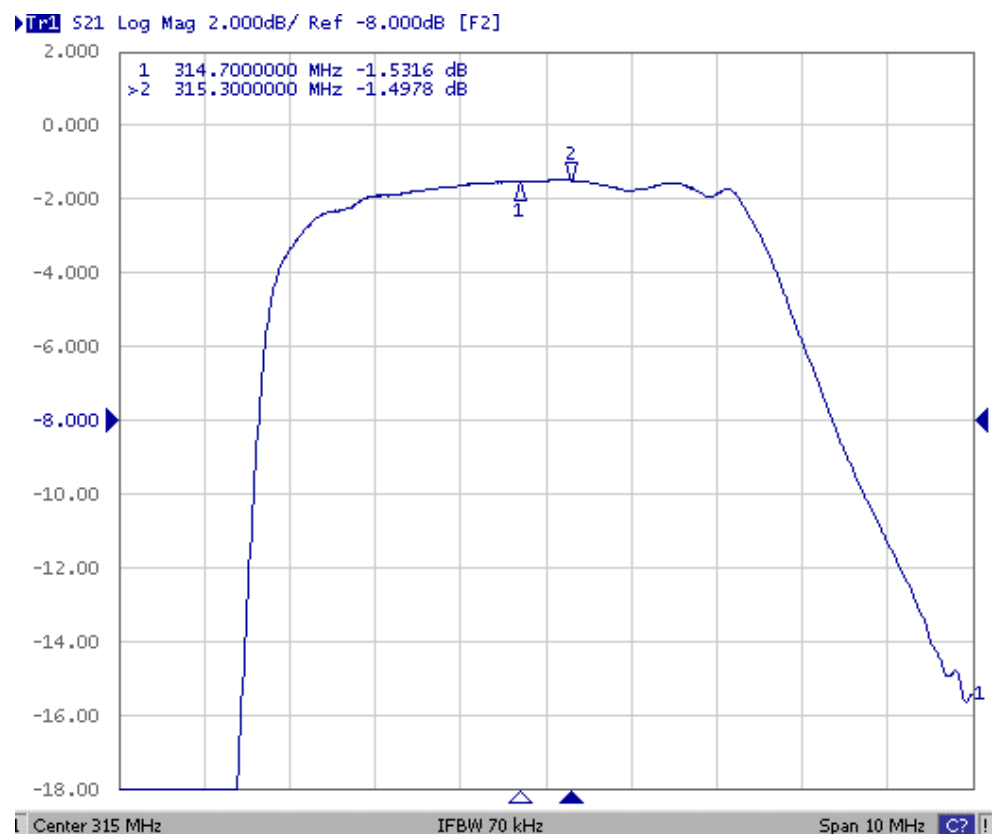
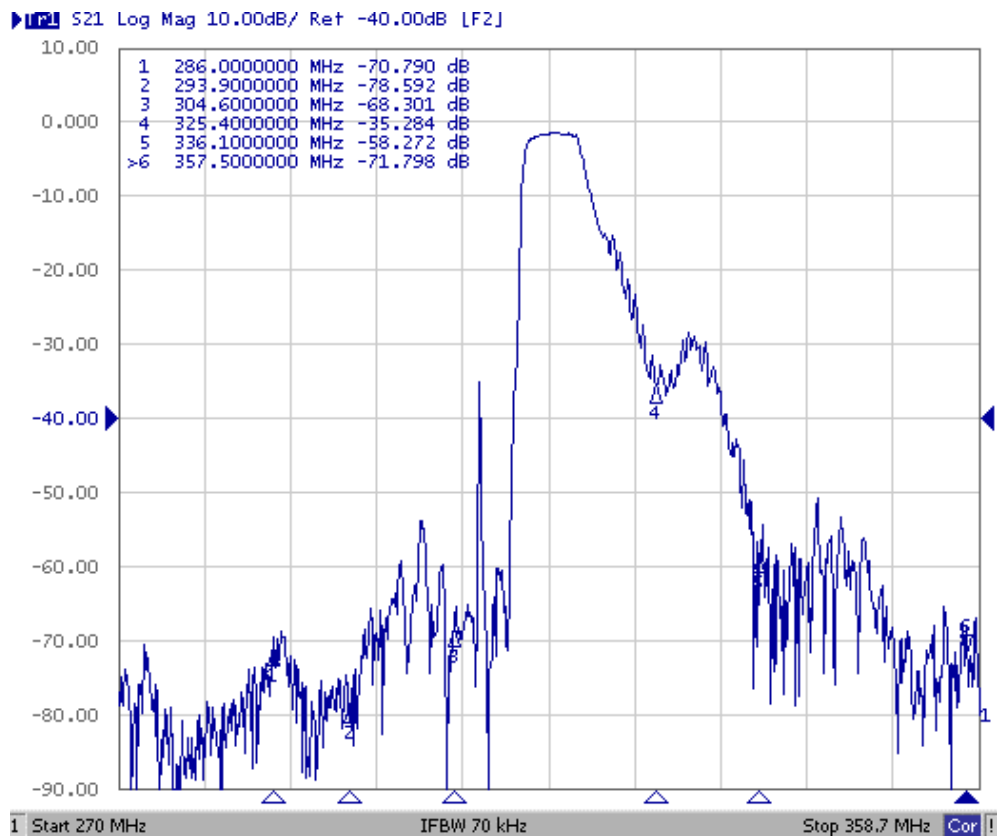
B. CHARACTERISTICS:

Item	Unit	Min.	Typical	Max.
Center frequency Fc	MH	-	315	-
Maximum Insertion loss 314.70 ~ 315.30 MHz IL	dB	-	1.53	2.5
Amplitude ripple 314.70 ~ 315.30 MHz	dB	-	0.4	1.5
VSWR 314.70 ~ 315.30 MHz			1.45	2.0
Attenuation (Reference level from 0 dB)				
270.0 ~ 286.0 MHz	dB	55	61	-
293.0 ~ 293.9 MHz	dB	53	59	-
304.0 ~ 304.6 MHz	dB	48	53	-
325.4 ~ 326.0 MHz	dB	24	30	-
336.1 ~ 337.0 MHz	dB	36	46	-
357.5 ~ 358.7 MHz	dB	50	56	-
Source impedance Zs	Ω	-	50	-
Load impedance ZL	Ω	-	50	-
Temperature coefficient	ppm/k	-	-36	-

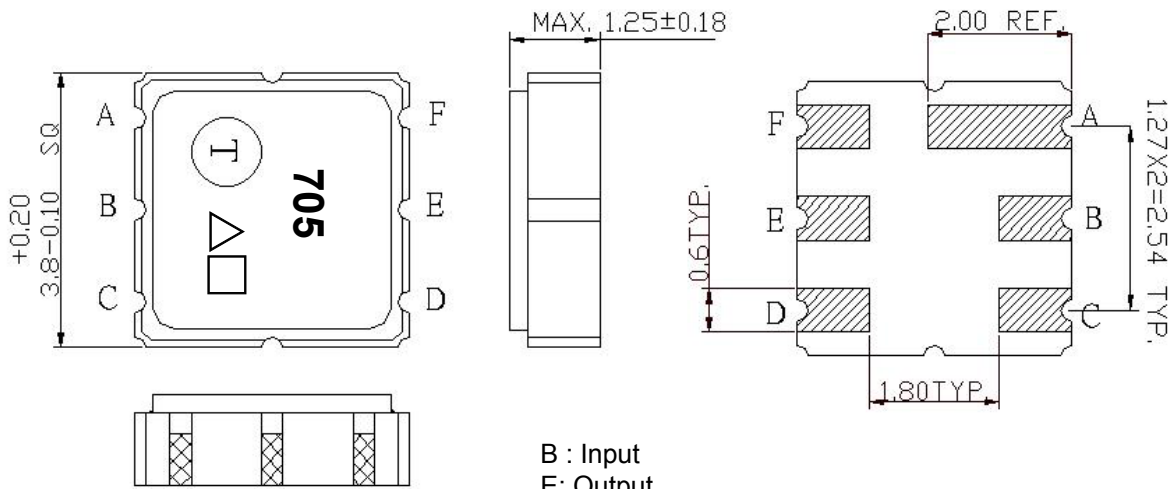
C. MEASUREMENT CIRCUIT:



D. TRANSFER FUNCTION :



E.OUTLINE DRAWING:

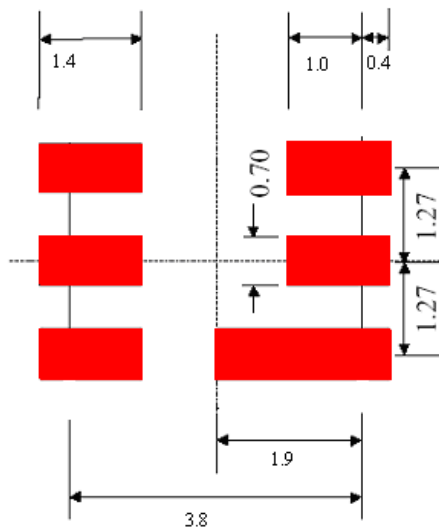


B : Input
 E: Output
 A,C,D,F Ground
 △:Year Code
 □: Date Code(Follow the table provided by planner each year.)
 Unit: mm

△ Product Year Code

Year	2007	2008
	2009	2010
	2011	2012
Product Code	A	a

F.PCB FOOTPRINT:



H. REFLOW PROFILE

