



TAI-SAW TECHNOLOGY CO., LTD.

No. 3, Industrial 2nd Rd., Ping-Chen Industrial District,
Taoyuan, 324, Taiwan, R.O.C.

TEL: 886-3-4690038 FAX: 886-3-4697532

E-mail: tstsales@mail.taisaw.com Web: www.taisaw.com

Approval Sheet For Product Specification

Issued Date:

Product Name: SAW Filter 433.5MHz SMD 3.8×3.8mm

TST Parts No.: TA0708A

Customer Parts No.: _____

Company: _____
Division: _____
Approved by : _____
Date: _____

Checked by: _____ Asin Lin

Approval by: _____ Francis Chen

Date: _____ 2007/07/04



TAI-SAW TECHNOLOGY CO., LTD.

No. 3, Industrial 2nd Rd., Ping-Chen Industrial District,
Taoyuan, 324, Taiwan, R.O.C.

TEL: 886-3-4690038 FAX: 886-3-4697532

E-mail: tstsales@mail.taisaw.com Web: www.taisaw.com

SAW Filter 433.5 MHz

MODEL NO.: TA0708A

REV. NO.:1

A. MAXIMUM RATING:

1. Input Power Level: 10 dB_m
2. DC voltage: 3 V
3. Operating Temperature: -10°C to 60°C
4. Storage Temperature: -30°C to +85°C

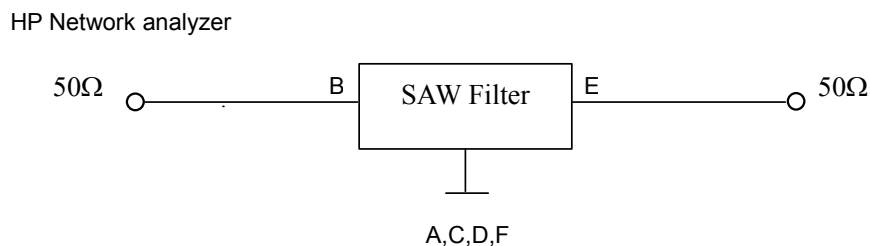
RoHS Compliant
Lead free
Lead-free soldering

B. CHARACTERISTICS:

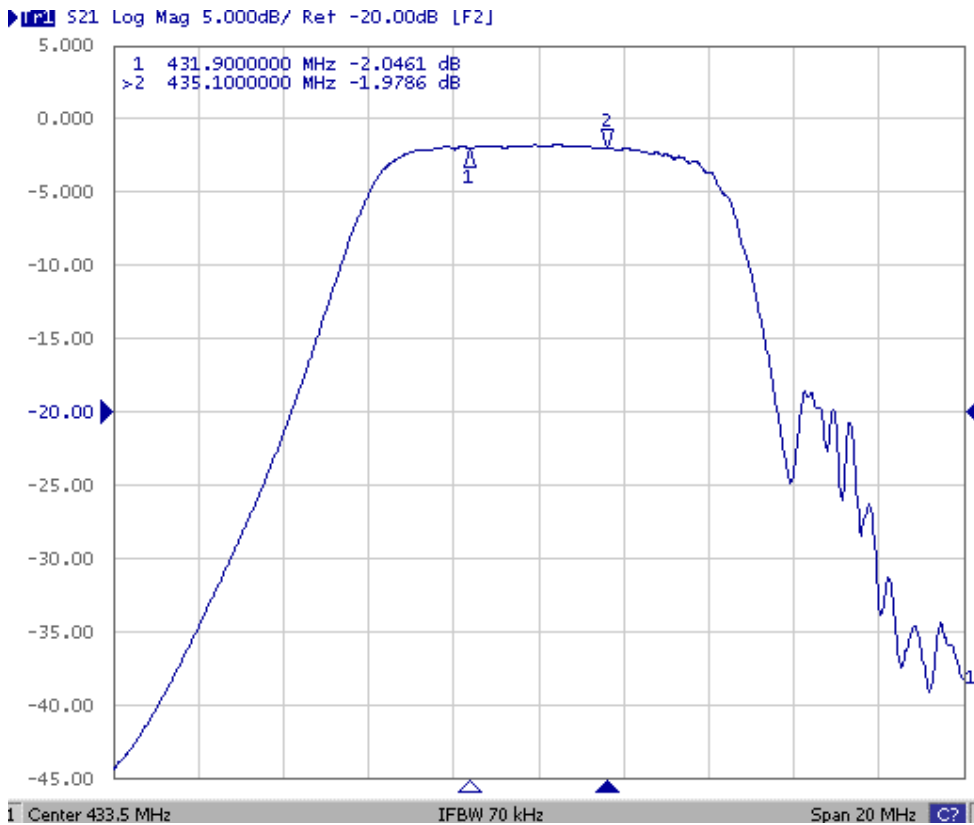
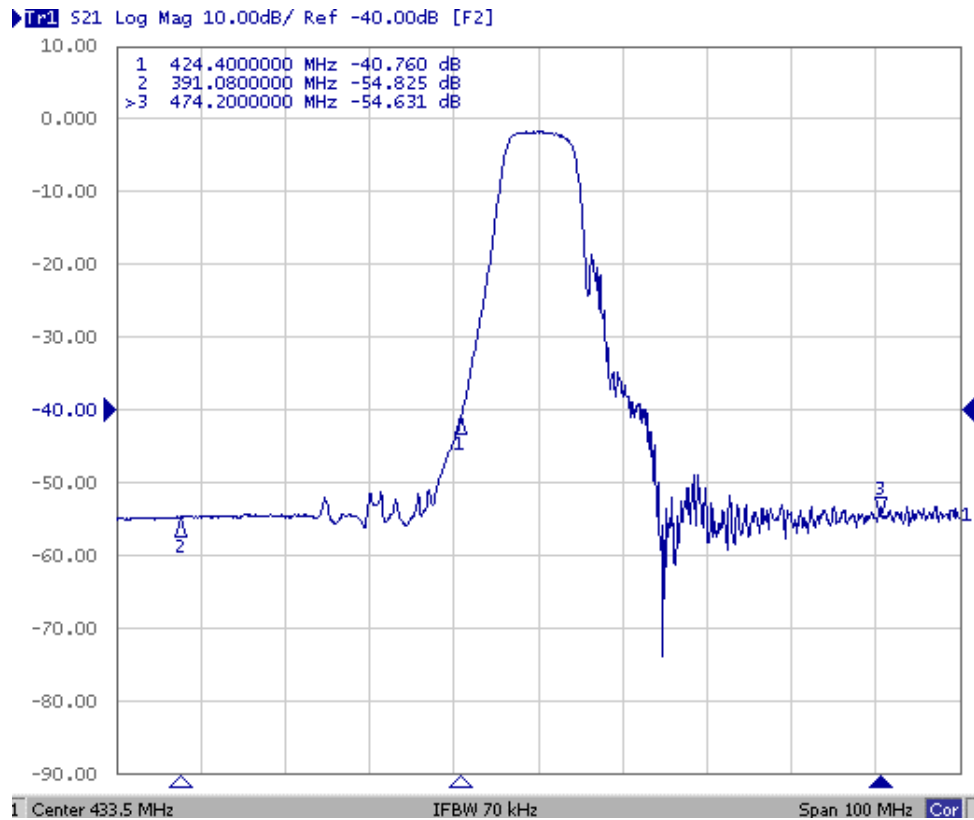
Item	Unit	Min.	Typical	Max.
Center frequency Fc	MH	-	433.5	-
Insertion loss Fc±1.6 MHz IL	dB	-	2.2	4.0
Amplitude ripple Fc±1.6 MHz	dB	-	0.5	2.0
Attenuation (Reference level from 0 dB)				
421.2 ~ 424.4 MHz	dB	8	34	-
388.6 ~ 391.08 MHz	dB	45	50	-
474.2 ~ 477.4 MHz	dB	45	51	-
Source impedance Zs	Ω	-	50	-
Load impedance ZL	Ω	-	50	-

Note1. No matching network required for operation at 50Ω

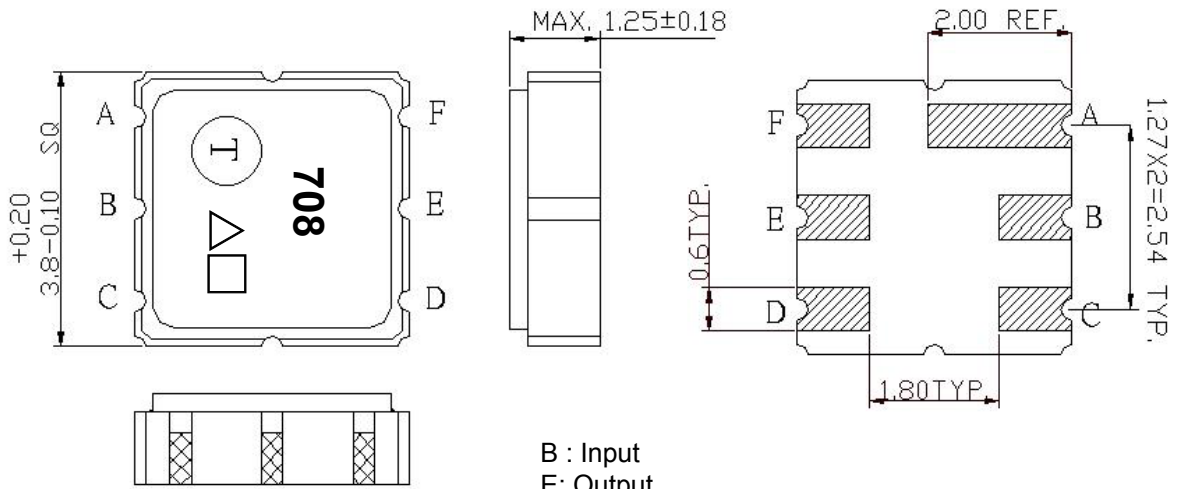
C. MEASUREMENT CIRCUIT:



D. TRANSFER FUNCTION :



E.OUTLINE DRAWING:

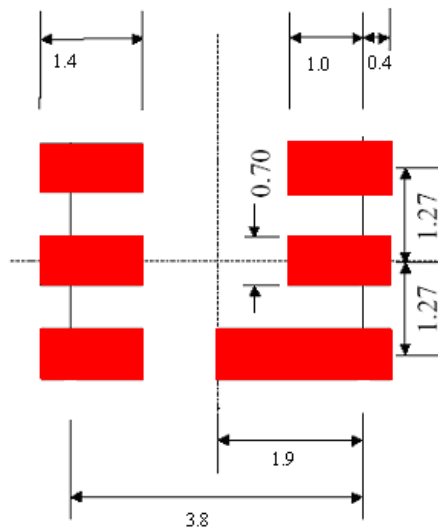


B : Input
 E: Output
 A,C,D,F Ground
 △:Year Code
 □: Date Code(Follow the table provided by planner each year.)
 Unit: mm

△ Product Year Code

Year	2007	2008
	2009	2010
	2011	2012
Product Code	A	a

F.PCB FOOTPRINT:



H. REFLOW PROFILE

