

# IPPC-9151G

Rugged Intel® Pentium® 4 / Celeron®  
Industrial Panel PC with 15" LCD



## Features

- Intel® Pentium® 4 processors up to 2.8 GHz
- 15" XGA TFT LCD provides vivid, sharp and large images
- Offers two expansion slots for PCI add-on cards
- Front access USB connector
- Heavy-duty stainless steel chassis with aluminum front panel
- Strengthened glass protects the front panel from shock damage and is NEMA4/IP65 compliant
- Built-in FDD and support for one CD-ROM and 3.5" HDD Drive
- Hard anodic coating to prevent panel abrasion and acid corrosion
- Supports industrial mounting rack and panel mounting



## Introduction

IPPC-9151G is a fully functional computer system with support for CPUs of different classes (Pentium 4 up to 2.8 GHz) and resolution up to 1024 x 768 to meet the demands of today's high-end industrial software. IPPC-9151G is a rugged unit with an aluminum panel, tempered glass 15" TFT LCD, a stainless steel structure and two expansion slots. IPPC-9151G is rugged enough to handle the toughest industrial operating environments. With optional mounting accessories, from panels to racks, it can be mounted anywhere. There is also IPPC-9151F-XA, which has a flat-sealed front panel for easier cleaning and liquid run-off, which is suitable for tough hygiene requirements in food & beverage manufacturing.

## Specifications

### General

- **BIOS** Award® 256 KB Flash BIOS
- **Certifications** BSMI, CCC, CE, FCC, UL
- **Cooling System** 2 x 10.1 CFM fans w/ 50,000 hrs MTBF
- **Dimensions (WxHxD)** 428 x 310 x 162 mm (16.85" x 12.2" x 6.37")
- **Disk Drive Bay** Supports one 3.5" HDD and slim size CD-ROM, built-in FDD
- **Enclosure** Stainless steel back case, 10 mm aluminum front panel
- **Mounting** Panel, rack
- **Power Input** 100 ~240 V<sub>AC</sub> @ 50 ~ 60 Hz, 2 A
- **Power Output** + 5 V @ 15 A, +12 V @ 5 A, -12 V @ 0.5 A
- **Power Supply** 180 W, MTBF: 200,000 hrs
- **Weight (Gross)** 13 kg (28 lb)

### System Hardware

- **Audio Ports** Mic-in, Line-in, Line-out, and game port
- **Chipset** Intel® 845 GV
- **CPU** Socket 478 Intel® Pentium® 4 up to 2.8 GHz  
Intel® Celeron® up to 2.5 GHz (400/533 MHz)
- **Expansion Slots** 2 x low-profile PCI
- **IEEE-1394 Ports** 2 x IEEE 1394 ports (Firewire)
- **Keyboard/Mouse** 1 x PS/2 mouse and keyboard interface
- **LAN** 1 x 10/100Base-T
- **Memory** Two 184 pin DDR DIMM sockets supports up to 2 GB (Clock 266)
- **Parallel Ports** 1 x standard parallel port  
1 x enhanced parallel port, supports SPP/EPP/ECP parallel mode.  
BIOS configurable to LPT1, LPT2, LPT3 or disabled
- **PCMCIA Slots** 2 x Type II
- **Serial Ports** 1 x RS-232, 1 x RS-232/422/485
- **USB Ports** 4 x USB 2.0
- **Video Ports** S-Video

### LCD Display

- **Backlight Life** 50,000 hrs
- **Contrast Ratio** 400:1
- **Display Size** 15"
- **Display Type** XGA TFT LCD
- **Luminance** 350 cd/m<sup>2</sup>
- **Max. Colors** 262,144
- **Max. Resolution** 1024 x 768
- **OSD Control** LCD ON/OFF, Brightness drop, up
- **Viewing Angle (H/V°)** 120/100

### Touchscreen (Optional)

- **Interface** USB
- **Lifespan** 1 million touches at single point
- **Light Transmission** 75%
- **OS support** MS DOS, Windows® 95/98/NT/2000/XP
- **Type** Analog resistive (8-wire)

### Environment

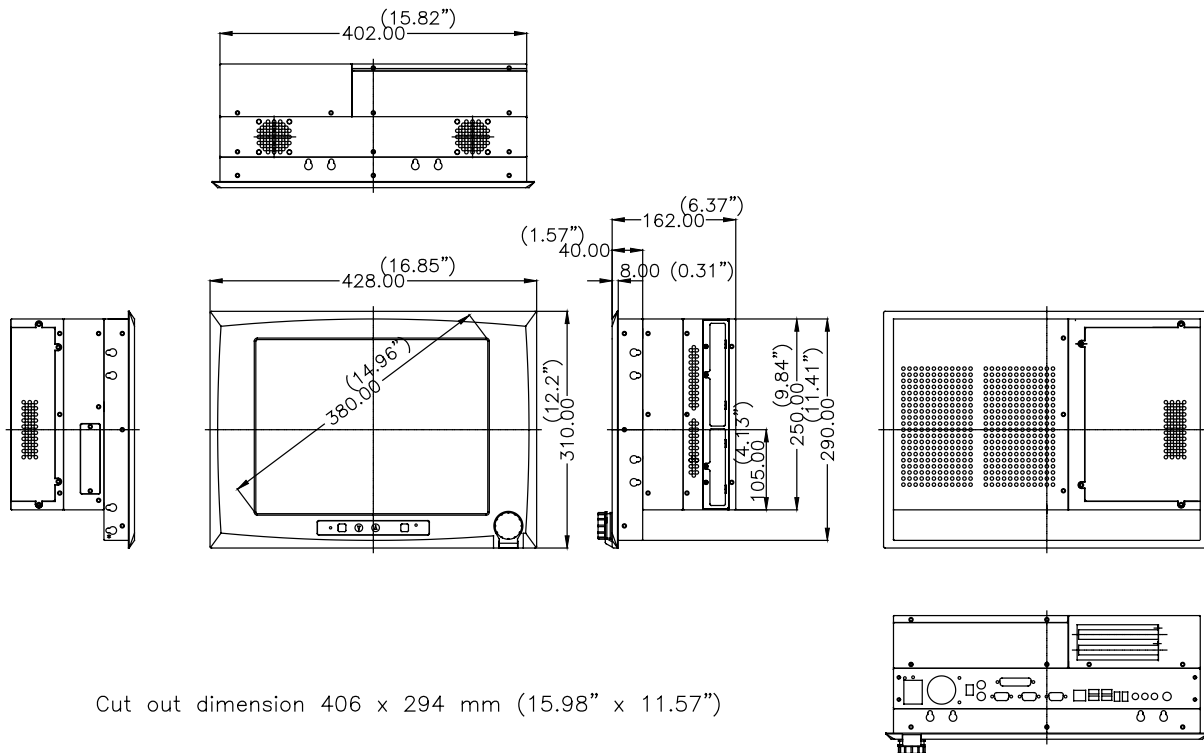
- **Humidity** 5 ~ 85% @ 40° C (non-condensing)
- **Ingress Protection** Front panel: NEMA4/IP65
- **Operating Temperature** 0 ~ 50° C (32 ~ 122° F)
- **Storage Temperature** -20 ~ 60° C (-4 ~ 140° F)
- **Vibration Protection** 5 ~ 500 Hz, 1 G<sub>RMS</sub> random vibration

## Ordering Information

- **IPPC-9151G-XA** Rugged Pentium® 4 Industrial Panel PC with 15" LCD, 180 W AC power supply, stainless steel chassis and aluminum front panel
- **IPPC-9151G-RA** IPPC-9151G-XA with resistive touchscreen
- **IPPC-9151F-XA** Rugged Pentium® 4 Industrial Panel PC with 15" LCD, 180 W AC power supply, stainless steel chassis and flat-sealed aluminum front panel
- **IPPC-9151F-RA** IPPC-9151F-XA with resistive touchscreen

## Dimensions

Unit: mm



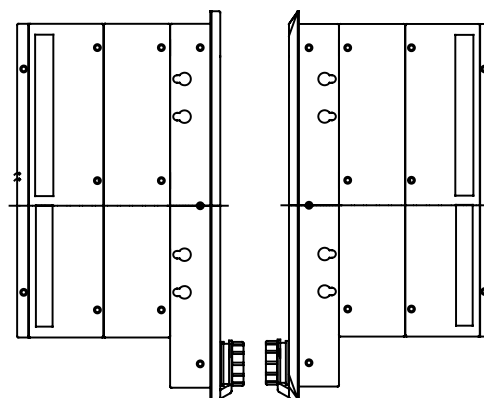
## Accessories

- **IPPC-9151 Rack-MT** Mounting kit for standard 19" industrial rack
- **CDR-9151-COMBO** Slim type Combo CD-ROM

### Notes:

1. When used in a panel mounted environment, the panel's thickness can not be over 10 mm.

## Flat-Sealed Front Panel (IPPC-9151F-XA)



The flat-sealed front panel of IPPC-9151F-XA (shown above left), is designed for minimum projection in panel mounts. This ensures easier liquid run-off, prevents dirty edges, and is useful in applications where hygiene is crucial (e.g. food processing).

- 1 Software
- 2 IPPC
- 3 TPC
- 4 FPM
- 5 ATM & AWS
- 6 DA&C
- 7 cPCI
- 8 ADAM-3000
- 9 Motion Control
- 10 ICOM
- 11 Industrial Networking
- 12 UNO
- 13 ADAM-4000
- 14 ADAM-5000
- 15 ADAM-6000
- 16 ADAM-8000
- 17 BAS