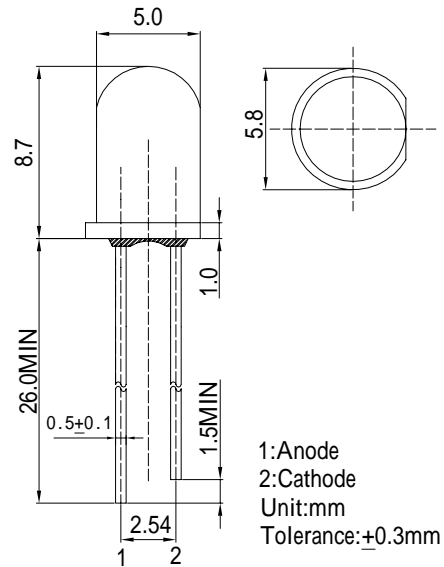


**Features**

- High Luminous LEDs
- 5mm Round Standard Directivity
- Superior Weather-resistance
- Full Color Flashing Type
- Water Clear Type

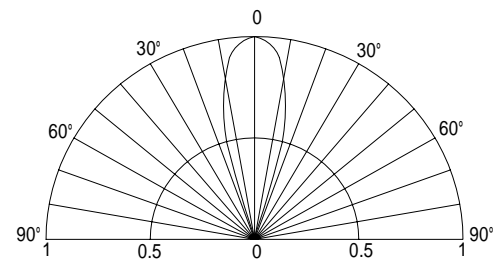
**Applications**

- Toys
- Games
- Audio
- Other Lighting

**Outline Dimension**

**Absolute Maximum Rating**

(Ta=25 °C)

Item	Symbol	Value	Unit
Blinking Cycle	T	33	S
Power Supply	Voltage	5.0	V
Operating Temperature	Topr	-30 ~ +85	
Storage Temperature	Tstg	-40 ~ +100	
Lead Soldering Temperature	Tsol	260 /5sec	

**Directivity**

**Electrical -Optical Characteristics**

(Ta=25 °C)

Item	Symbol	Condition	Min.	Typ.	Max.	Unit
DC Forward Voltage	V <sub>dd</sub>	I <sub>F</sub> =20mA	3.8	4.5	5	V
DC Reverse Current	I <sub>R</sub>	V <sub>R</sub> =5V	-	-	10	μA
Domi. Wavelength	λ <sub>D</sub> (Red)	I <sub>F</sub> =20mA	619	624	629	nm
	λ <sub>D</sub> (Blue)	I <sub>F</sub> =20mA	465	470	475	nm
	λ <sub>D</sub> (Green)	I <sub>F</sub> =20mA	520	525	530	nm
Luminous Intensity	I <sub>v</sub> (Red)	I <sub>F</sub> =20mA	-	8000	-	mcd
	I <sub>v</sub> (Blue)	I <sub>F</sub> =20mA	-	4000	-	mcd
	I <sub>v</sub> (Green)	I <sub>F</sub> =20mA	-	8000	-	mcd
50% Power Angle	2θ <sub>1/2</sub>	I <sub>F</sub> =20mA	-	30	-	deg

\*1 Tolerance of dominant Wavelength is ±1nm

\*2 Tolerance of luminous intensity is ±15%