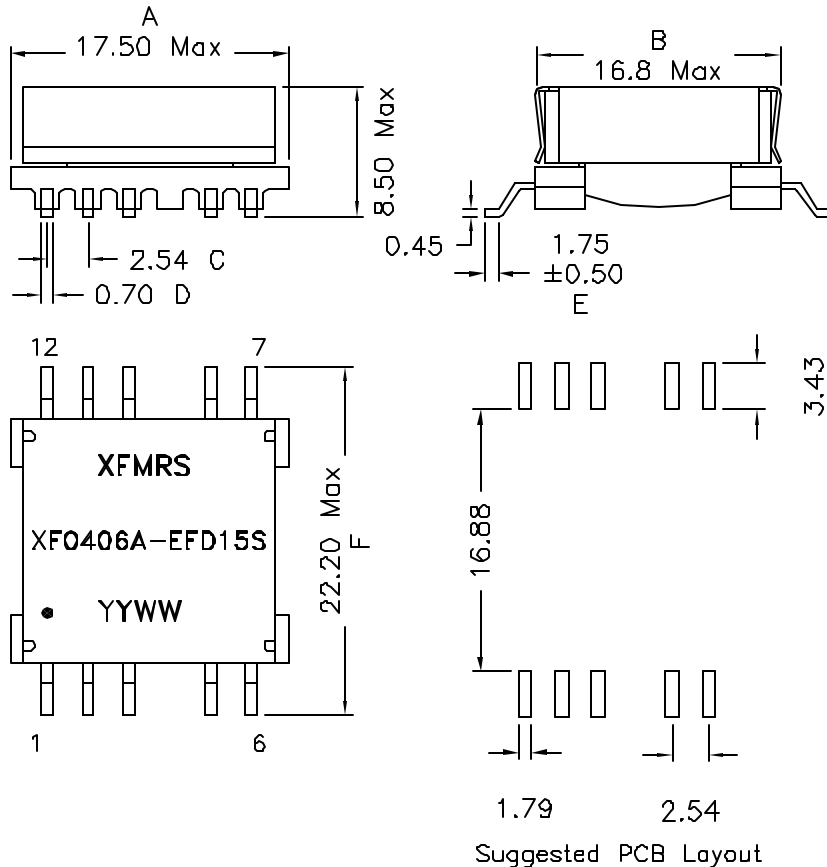


## 1. Mechanical Dimensions:

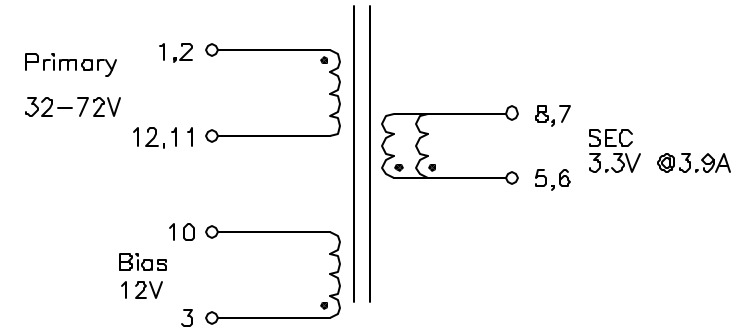


### Notes:

- Solderability: Leads shall meet MIL-STD-2026, Method 208H for solderability.
- Flammability: UL94V-0
- ASTM oxygen index: > 28%
- Insulation System: Class F 155°C. UL file E151556
- Operating Temperature Range: All listed parameters are to be within tolerance from -40°C to +85°C
- Storage Temperature Range: -55°C to +125°C
- Aqueous wash compatible
- SMD Lead Coplanarity:  $\pm 0.004^\circ$  (0.102mm)
- Electrical and mechanical specifications 100% tested
- RoHS Compliant Component

DOC REV: A/3

## 2. Schematic:



## 3. Electrical Specifications:

OCL: Pins 1,2-11,12 40 $\mu$ H?% @250KHz, 0.3V  
 OCL: Pins 1,2-11,12 36 $\mu$ H Min @250KHz, 0.3V, 2.2Adc  
 LL: Pins 1,2-11,12 3.4 $\mu$ H Max @300KHz, 1.0V Short Secs  
 DCR: Pins 1,2-11,12 0.138 Ohms Max  
 DCR: Pins 5,6-8,7 0.007 Ohms Max  
 DCR: Pins 3-10 0.180 Ohms Max  
 Turns Ratio: P1,2-11,12:5,6-8,7:3-10 = 1:0.11:0.36  
 Isolation Voltage: 1500Vrms, Pri&Bias to Sec  
 500Vrms, Pri to Bias

<b>XFMR5, Inc</b> www.XFMR5.com	Title: <b>TRANSFORMER</b>		
UNLESS OTHERWISE SPECIFIED TOLERANCES: .xx $\pm 0.20$ Dimensions in MM	P/N: XF0406A-EFD15S	REV. A	
	DWN.	Juan Mao	Aug-18-06
	CHK.	YK Liao	Aug-18-06
Scale 2.5:1 SHT 1 OF 1	APP.	BW	Aug-18-06

**PROPRIETARY** Document is the property of XFMR5 Group & is not allowed to be duplicated without authorization.