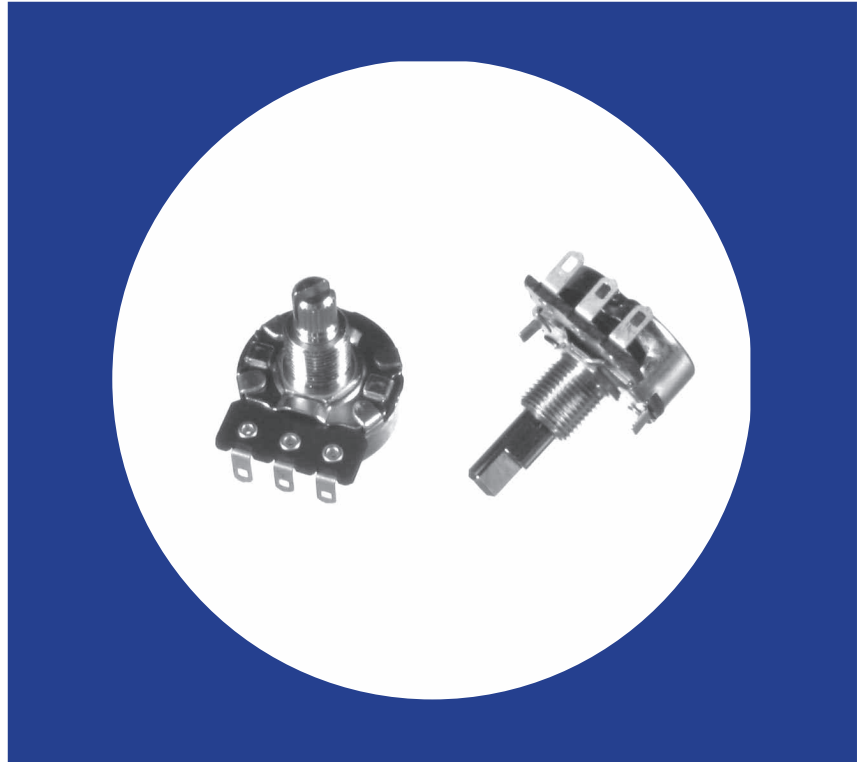


Commercial 24mm Diameter Composition Element Long Life Variable Resistor

Features

- Low noise
- Long life 1 million cycles
- Joystick applications
- Wide resistance range
- RoHS compliant



Electrical and Mechanical Specifications

Resistance Range

Linear taper: 10K ohms through 1 megohms
Consult CTS for audio taper

Resistance Tolerance

Standard: $\pm 30\%$
Special: $\pm 20\%$, 10%

Power Rating

Under 100K ohms = 1/3 watt @ 55°C
Above 100K ohms = 1/4 watt @ 55°C
Joystick applications = 1/6 watt @ 55°C

Insulation Resistance

100 megohms minimum @ 100 VDC

Operating Temperature

-10°C to +85°C

Total Rotational Angle

Mechanical angle: $300^\circ \pm 5^\circ$
Effective angle: 30° to 290°

Linearity

Standard: 5%
Special: Consult CTS for better linearity

Rotational Torque

14~144 gf-cm (0.2~2.0 in-oz)

Rotational Life

1,000,000 cycles

Shaft Information

Available for round, flatted, knurled, or slot metal shaft
Diameter: 6.35mm (.250")
Consult CTS for custom-made metal and economic plastic shaft

Mounting Information

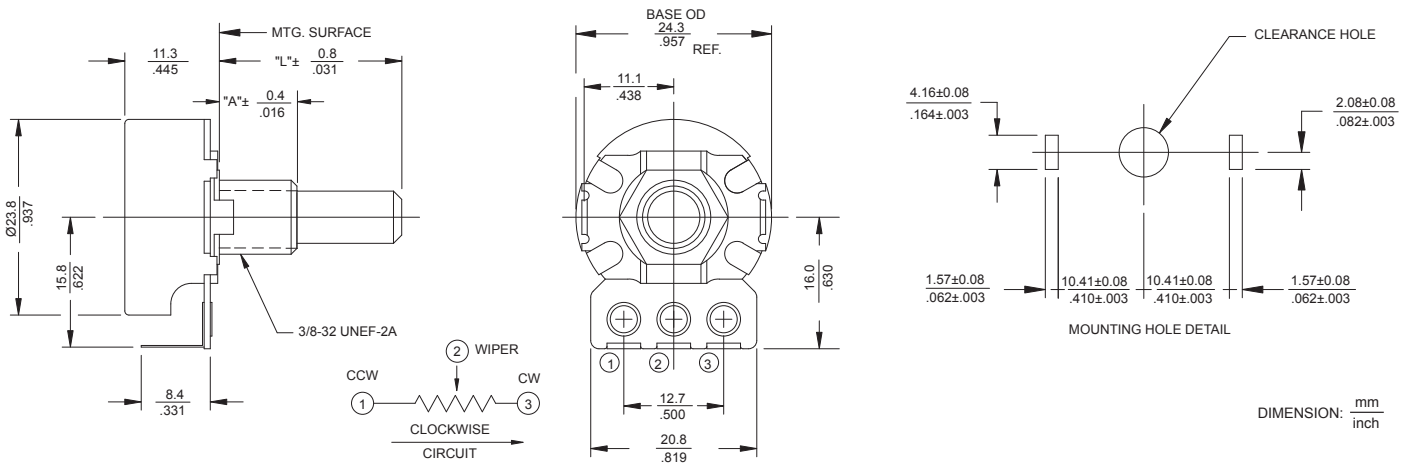
Bushing Mount

Diameter: EIA standard 3/8-32 UNEF-2A thread
Standard length: 9.53mm (.375") or 6.35mm (.250")
Consult CTS for custom-made metal and economic plastic bushing

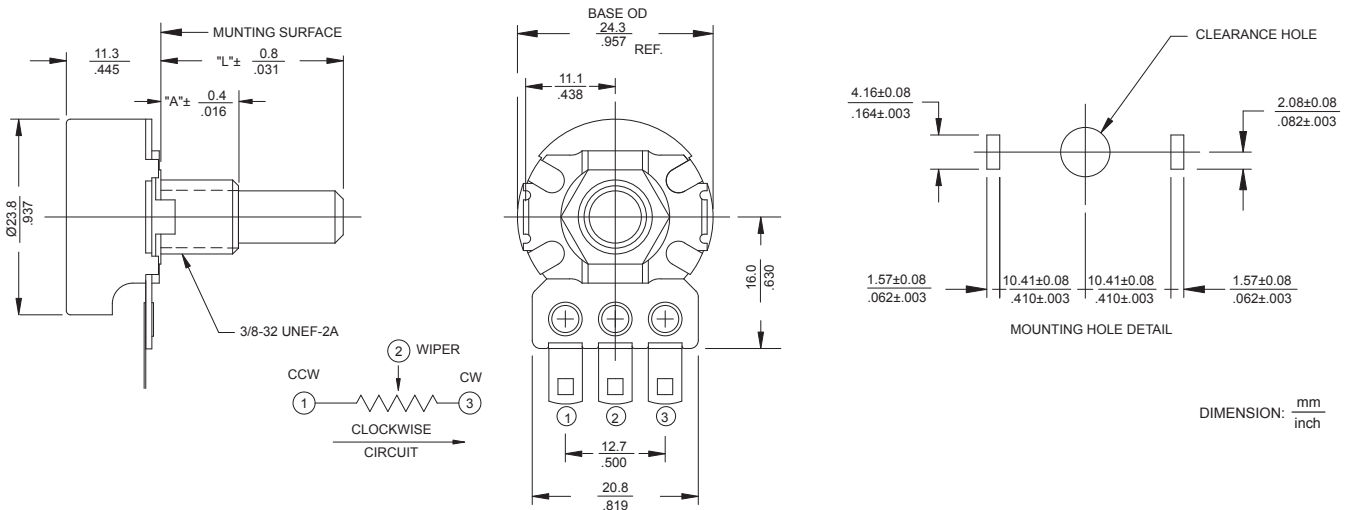
Locating Lugs

Standard: Two lugs
Available: No lug, or one lug (left or right) with terminals facing inward

T295 Metal Shaft, Bushing Mounting, Type "T" Solder Lug Terminals



S295 Metal Shaft, Bushing Mounting, Faston Type "S" Formed Terminals



Ordering Information

