

**P/N: NS0013BX DATA SHEET**

Page : 1/1

Feature

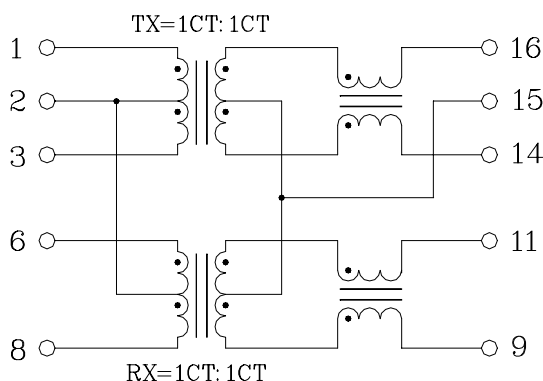
- Half port and single port designs for maximum layout flexibility.
- Low profile packages from 0.094 Inch(2.39mm) to 0.078 Inch(1.98mm) for PC card and card bus applications .
- Compatible package with INTEL,TDK,QSI, and ICS Transformer.
- Operation temperature range: 0°C to +70°C.
- Storage temperature range: -25°C to +125°C.

Electrical Specifications @ 25°C

Part Number	Turns Ratio (±3%)		OCL (uH Min) @ 100KHz/0.1V Pin(1-3/6-8)	C _{w/w} (pF Max)	L.L (uH Max)	DCR (Ω Max)	HI-POT (Vrms)
	RX	TX				Pin(1-3/6-8)	
NS0013BX	1CT:1CT	1CT:1CT	350	50	0.4	0.9	1500

Continue

Part Number	Insertion Loss (dB Max)	Return Loss (dB Min)				Cross talk (dB Min)	DCMR (dB Min)	
		0.3-30MHz	40MHz	50MHz	60-80MHz		0.3-60MHz	60-100MHz
NS0013BX	-1.1	-18	-15.5	-13.5	-10	-38	-33	-26

Schematic**Mechanical**