



TAI-SAW TECHNOLOGY CO., LTD.

No. 3, Industrial 2nd Rd., Ping-Chen Industrial District,
Taoyuan, 324, Taiwan, R.O.C.

TEL: 886-3-4690038 FAX: 886-3-4697532

E-mail: tstsales@mail.taisaw.com Web: www.taisaw.com

Approval Sheet For Product Specification

Issued Date:

Product Name: SAW Filter 1216.88 MHz SMD 3.0×3.0mm

TST Parts No.:TA0355A

Customer Parts No.:_____

Company: _____
Division: _____
Approved by : _____
Date: _____

Checked by: _____ Elvis Chiu

Approval by: _____ Francis Chen

Date: _____ 2004/09/09



TAI-SAW TECHNOLOGY CO., LTD.

No. 3, Industrial 2nd Rd., Ping-Chen Industrial District,
Taoyuan, 324, Taiwan, R.O.C.

TEL: 886-3-4690038 FAX: 886-3-4697532

E-mail: tstsales@mail.taisaw.com Web: www.taisaw.com

SAW Filter 1216.88 MHz

MODEL NO.: TA0355A

REV. NO.2

A. MAXIMUM RATING:

1. Operating Temperature: 35°C ~ 75°C
2. Storage Temperature: -40°C ~ +85°C

B. Characteristics :

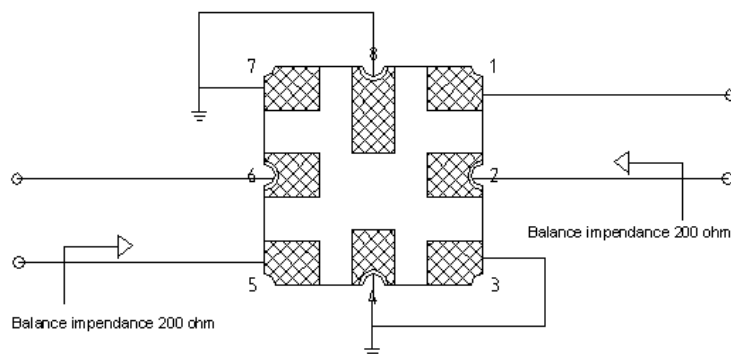
Balanced to Balanced operation

Terminating source impedance : $Z_s = 200 \Omega$

Terminating load impedance : $Z_L = 200 \Omega$

Characteristics	Value			Unit
	Min.	Typ.	Max.	
Center frequency FC	-	1216.88	-	MHz
Insertion loss 1212.88~1220.88 MHz I.L.	-	3.7	5.0	dB
Ripple 1212.88~1220.88 MHz	-	0.8	1.6	dB
Bandwidth BW_{-3dB}	19.6	20.7		
Attenuation:(Reference level from 0 dB)				
1) 500...Fc-91MHz	51	57	-	dB
2) Fc-91...Fc-85 MHz	51	57	-	dB
3) Fc-76...Fc-68 MHz	50	56	-	dB
5) Fc-88 MHz	51	57	-	dB
6) Fc-72 MHz	50	56	-	dB
7) Fc-44 MHz	50	56	-	dB
8) Fc-36 MHz	47	56	-	dB
9) Fc+60...2000 MHz	48	54	-	dB
Group delay ripple (1212.88~1220.88MHz)	-	14	-	ns

C. MEASUREMENT CIRCUIT:

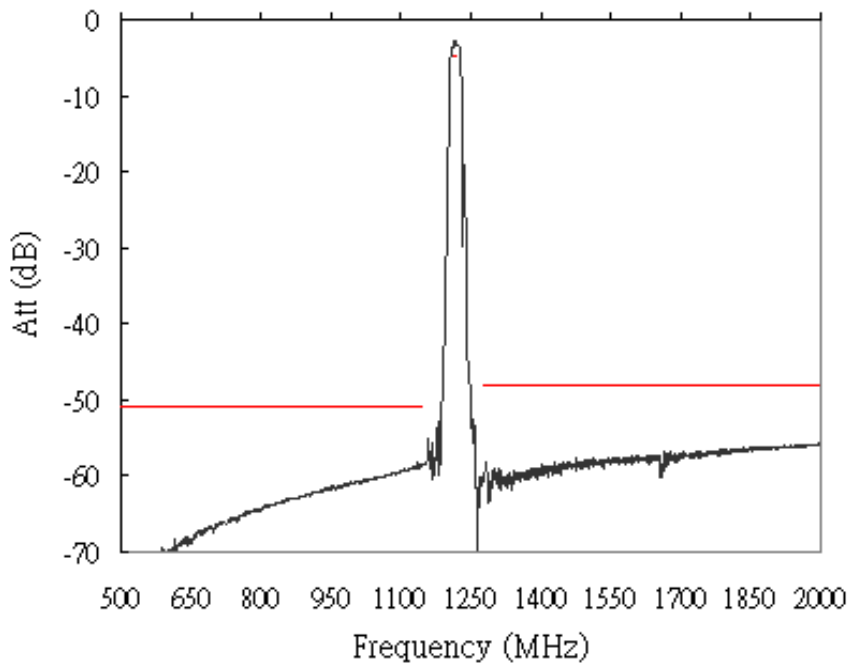
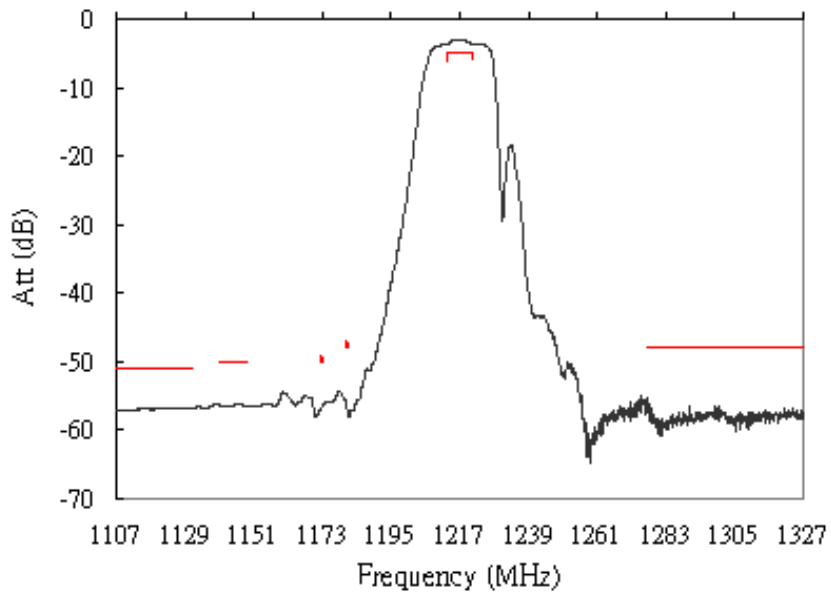


D. Frequency Characteristics :

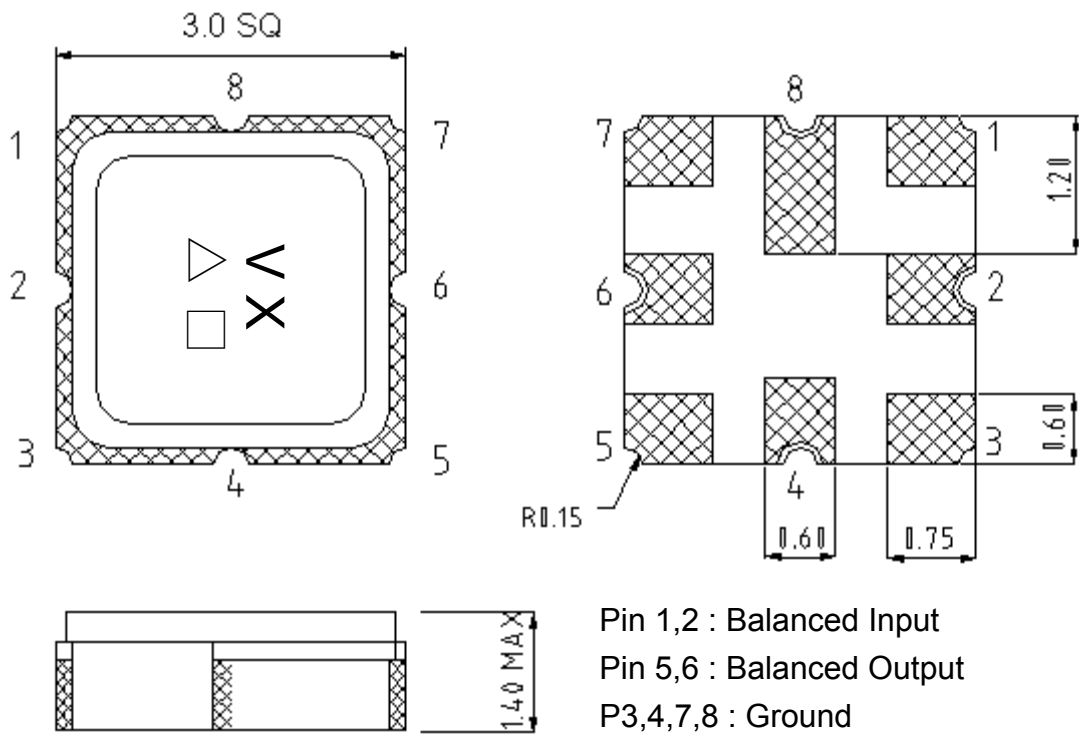
TAI-SAW TECHNOLOGY CO., LTD.

TST DCC
Release document

1. Sdd21 Response

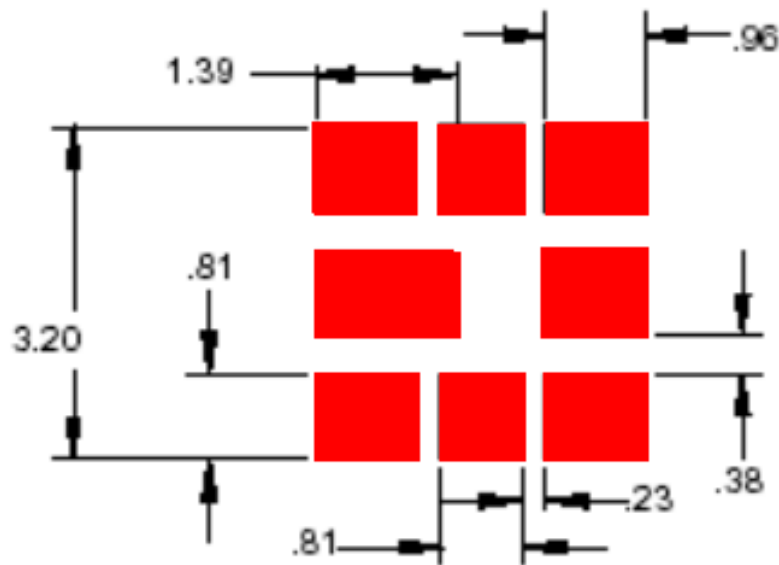


E. OUTLINE DRAWING:



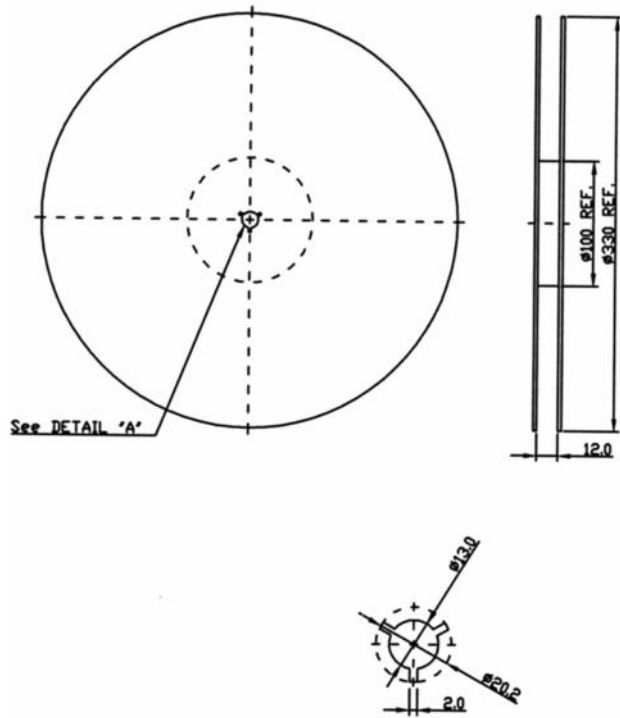
Pin 1,2 : Balanced Input
 Pin 5,6 : Balanced Output
 P3,4,7,8 : Ground
 △ : Year Code
 □ : Date Code
 Unit : mm

F. PCB FOOTPRINT:



G. PACKING:

1. REEL DIMENSION



2. TAPE DIMENSION

