

SPECIFICATIONS

Electrical Ratings	3A @ 120VAC, 28VDC; 1A @ 250VAC See Contact Options
Electrical Life	50,000 cycles typical
Contact Resistance	< 20 mΩ max initial @ 2-4VDC, 100mA
Dielectric Strength	1500Vrms min
Insulation Resistance	> 100MΩ min
Operating Temperature	-40°C to 85°C
Storage Temperature	-40°C to 85°C



UL US - E222871




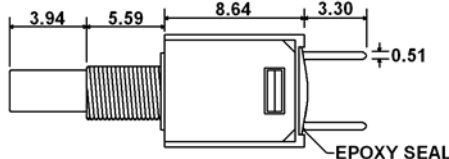
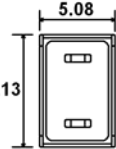


MATERIALS ←RoHS COMPLIANT


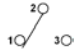

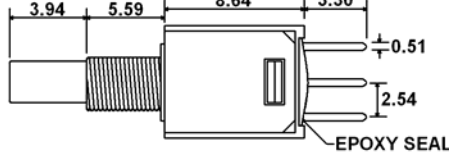
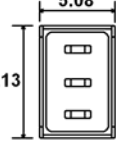


Actuator	Thermoplastic Polyester
Housing	DAP – Diallyl Phthalate
Cover	Stainless Steel
Bushing	Brass, Nickel Plated
Contacts	Copper Alloy, Silver Plated
Terminals	Brass, Silver Plated

ORDERING INFORMATION

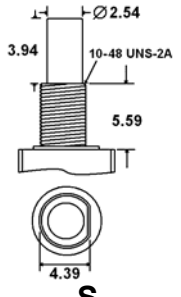
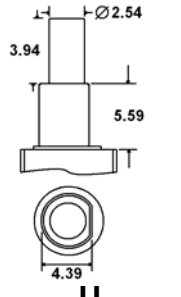
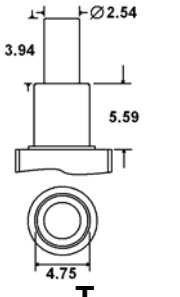
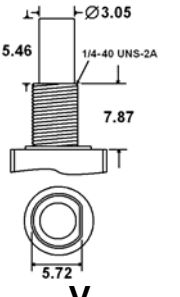
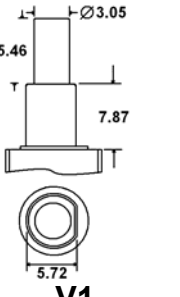
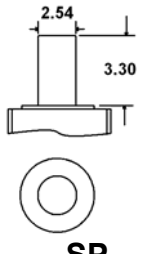
Series:	BNP	1	1	S	C	Q	E
BNP Number of Poles: 1 = Single Pole Switch Function: 0 = OFF - (ON) **SPST 1 = ON - (ON) ** SPDT0 Bushing: Blank = Panel Mount Frame S / U = 5.59mm, 10-48UNS / Non-Threaded, Flat T = 5.59mm, Non-Threaded, Round V / V1 = 7.87mm, ¼-40NS / Non-Threaded, Flat S9 = 3.20mm, Actuator Only Terminals: B = Solder Lug C = PC Pin H = Horizontal Mount, Right Angle PC Pin; <i>HS = Snap-in</i> V = Vertical Mount, Right Angle PC Pin; <i>VS = Snap-in</i> A5 = PC Pin with Support Bracket; <i>A5S = Snap-in Support Bracket</i> Contacts: Q = Silver Plated R = Gold Plated G = Gold over Silver Plated Epoxy Seal: E = Epoxy Seal Cap / Frame Options: C84 C85 C87 **only used with V & V1 bushings F86 = Snap-in Panel Mount w/ Frame Actuator Cap / Frame Colors: ** See Cap Options for color availability							

SWITCH FUNCTION

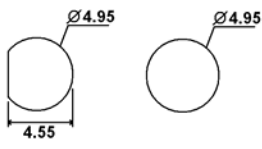
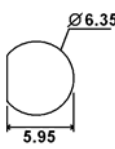
 SPST 	Function 0	Pushbutton Position				
						

 SPDT 	Function 1	Pushbutton Position				
						

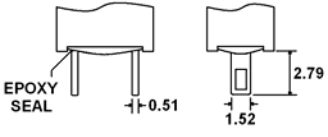
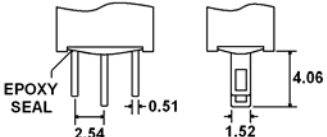
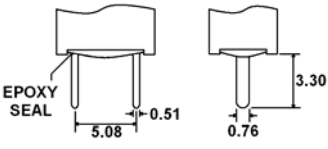
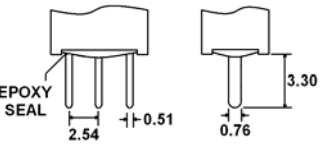
BUSHING OPTIONS

 S	 U	 T	 V	 V1	 SP
--	--	--	---	---	---

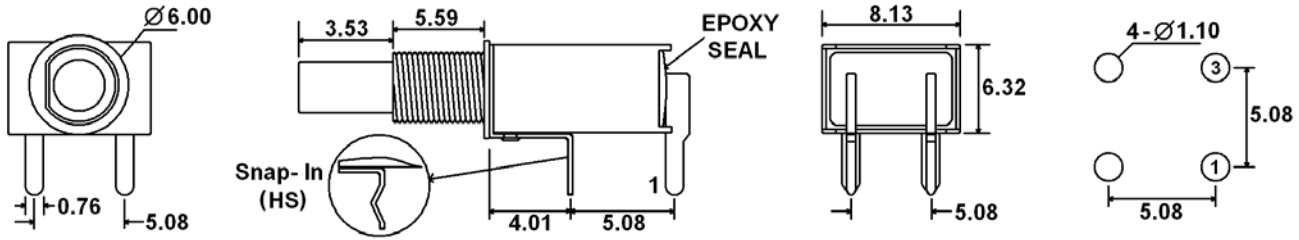
PANEL MOUNTING

 Used with S, U, & T Bushings	 Used with V & V1 Bushings
---	--

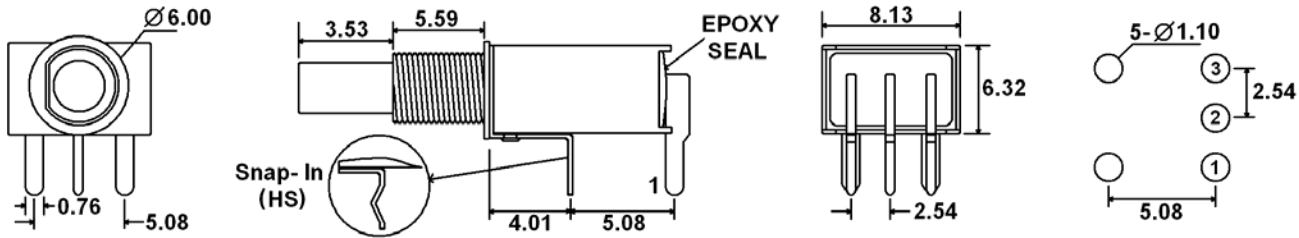
TERMINAL OPTIONS

 B – SPST	 B – SPDT	 C – SPST	 C – SPDT
---	--	---	--

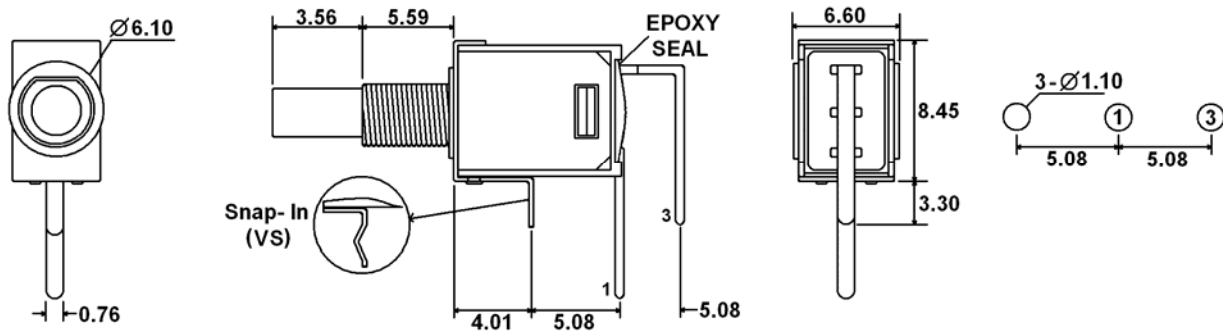
TERMINAL OPTIONS



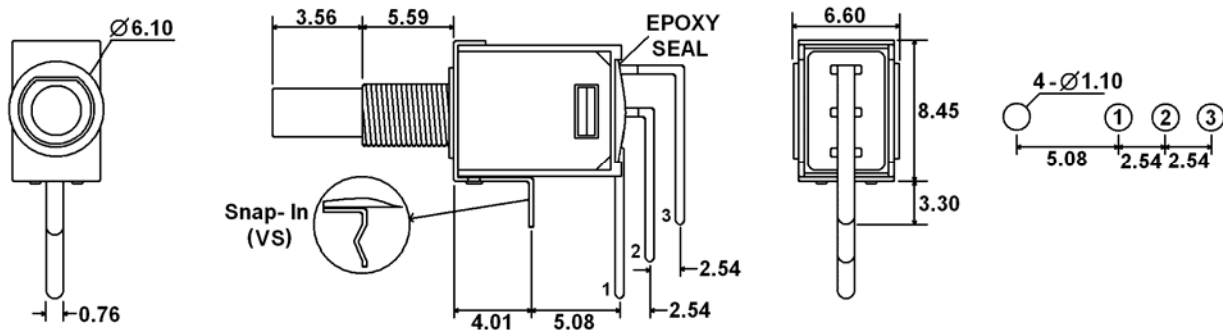
H (HS – Snap-in) = Horizontal Mount, Right Angle PC Pins (SPST)



H (HS – Snap-in) = Horizontal Mount, Right Angle PC Pins (SPDT)

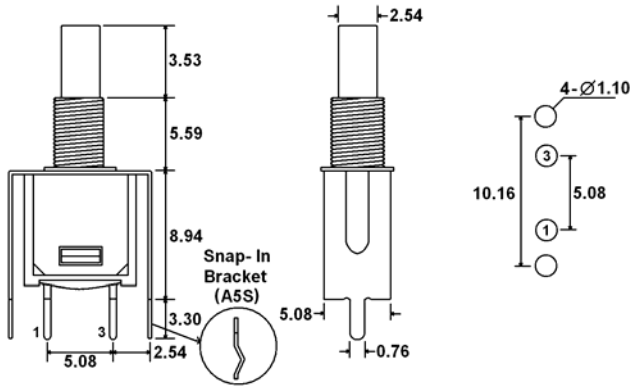


V (VS – Snap-in) = Vertical Mount, Right Angle PC Pins (SPST)

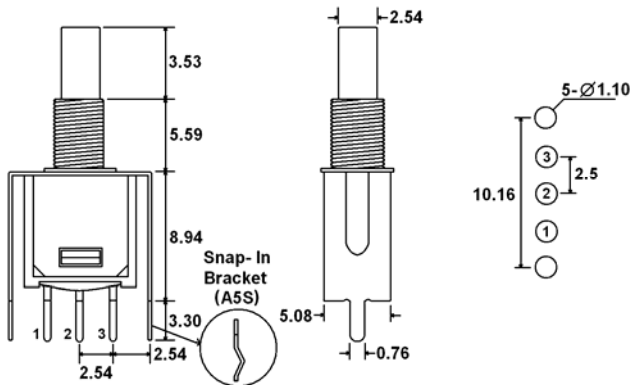


V (VS – Snap-in) = Vertical Mount, Right Angle PC Pins (SPDT)

TERMINAL OPTIONS



A5 (A5S – Snap-in Bracket) = PC Pins with Support Bracket (SPST)



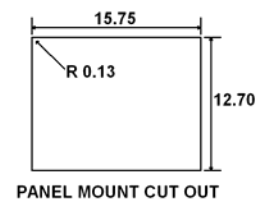
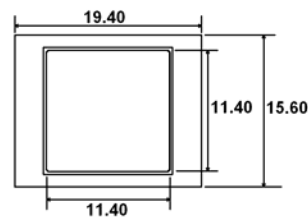
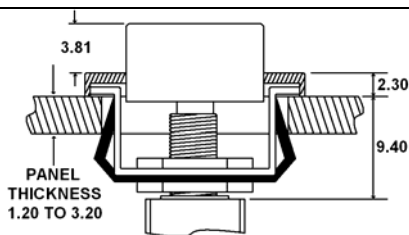
A5 (A5S – Snap-in Bracket) = PC Pins with Support Bracket (SPDT)

CONTACT OPTIONS

Designator	Contact Material	Terminal Material	Electrical Ratings
Q	Silver Plating	Silver Plating	3A @ 120VAC, 28VDC; 1A @ 250VAC
R	Gold over Nickel Plating	Gold over Nickel Plating	.4 VA max @ 20VAC or VDC max
G	Gold over Silver Plating	Gold over Silver Plating	.4 VA max @ 20VAC or VDC max or 3A @ 120VAC, 28VDC; 1A @ 250VAC

FRAME OPTIONS

F86__ ← (Insert Cap & Frame Colors Here)



Cap Color / Frame Color: 1 = White, 2 = Black, 3 = Red

**Contact factory for other available colors

CAP OPTIONS

<p>C84_ 1 = White, 2 = Black, 3 = Red Contact Factory for other available colors</p>	<p>C85_ 1 = White, 2 = Black, 3 = Red Contact Factory for other available colors</p>	<p>C87_ 1 = White, 2 = Black, 3 = Red Contact Factory for other available colors **Only for use with V & V1 Bushings</p>

HARDWARE **Two hex nuts, one lock washer, & one locking ring supplied standard with threaded bushings

<p>Hex Nut</p>	<p>Lock Washer</p>	<p>Locking Ring</p>
-----------------------	---------------------------	----------------------------

**For use with S Bushings

<p>Hex Nut</p>	<p>Lock Washer</p>	<p>Locking Ring</p>	<p>Dress Nut</p>	<p>Knurled Nut</p>	<p>Knurled Nut</p>
-----------------------	---------------------------	----------------------------	-------------------------	---------------------------	---------------------------

**For use with V Bushings