



**IDC**

- Industry compatible
- Competitively priced
- Various Plating contacts available
- 1.27mm pitch
- Long or Short latch

**SHROUDED LATCHED HEADER RIGHT ANGLED 1.27mm**



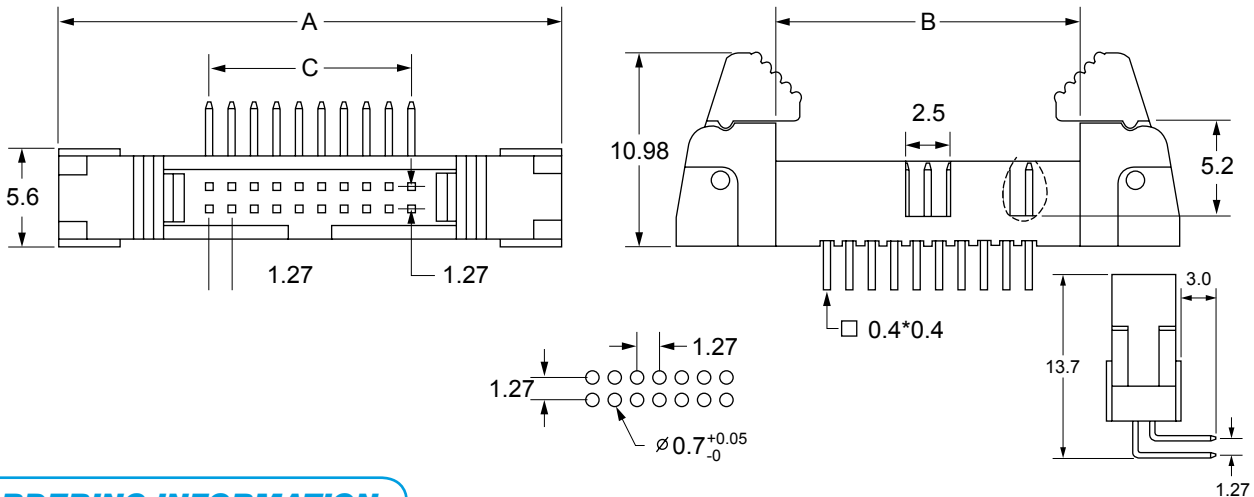
**SPECIFICATION**

**Material & Finish**

- Contact Material:** Phosphor Bronze
- Insulator Material:** Nylon 6T, glass reinforced, rated UL 94V-0
- Current Rating:** 1 Amp
- Contact Resistance:** 30M  $\Omega$  Max.
- Insulator Resistance:** 1000M  $\Omega$  Min.
- Dielectric Withstanding Voltage:** 250V AC for One Minute
- Operating Temperature:** -40°C to + 105°C

Position	A	B	C
10	22.12	10.86	5.08
12	23.39	12.13	6.35
14	24.66	13.40	7.62
16	25.93	14.67	8.89
20	28.47	17.21	11.43
22	29.74	18.48	12.70
26	32.28	21.02	15.24
30	34.82	23.56	17.78
34	37.36	26.10	20.32
40	41.17	29.91	24.13
44	43.71	32.45	26.67
50	47.52	36.26	30.48

**OUTLINE DRAWING**



SECTION 15

**ORDERING INFORMATION**

DBC	IDC	C43A	26	B	G	1
Dubilier Connectors	IDC Connector	Series	N° of Ways	Contact Material	Contact Plating	Colour
			10=10way 12=12way 14=14way 16=16way 20=20way 22=22way	B=Phosphor Bronze	G= Gold Flash S=Selective *=Other Plating available	1=Black
			26=26way 30=30way 34=34way 40=40way 44=44way 50=50way			