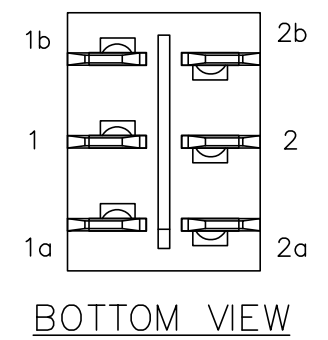
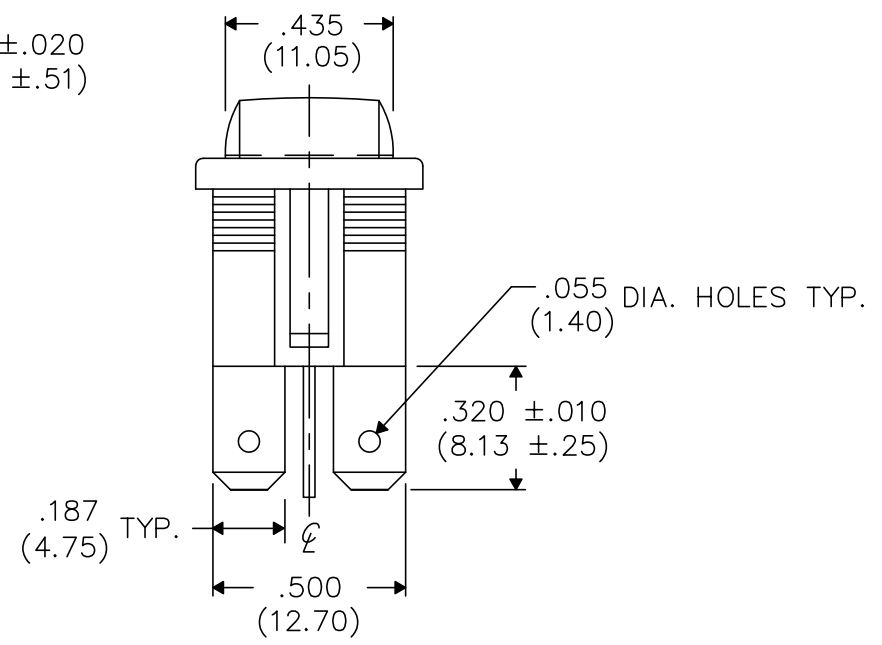
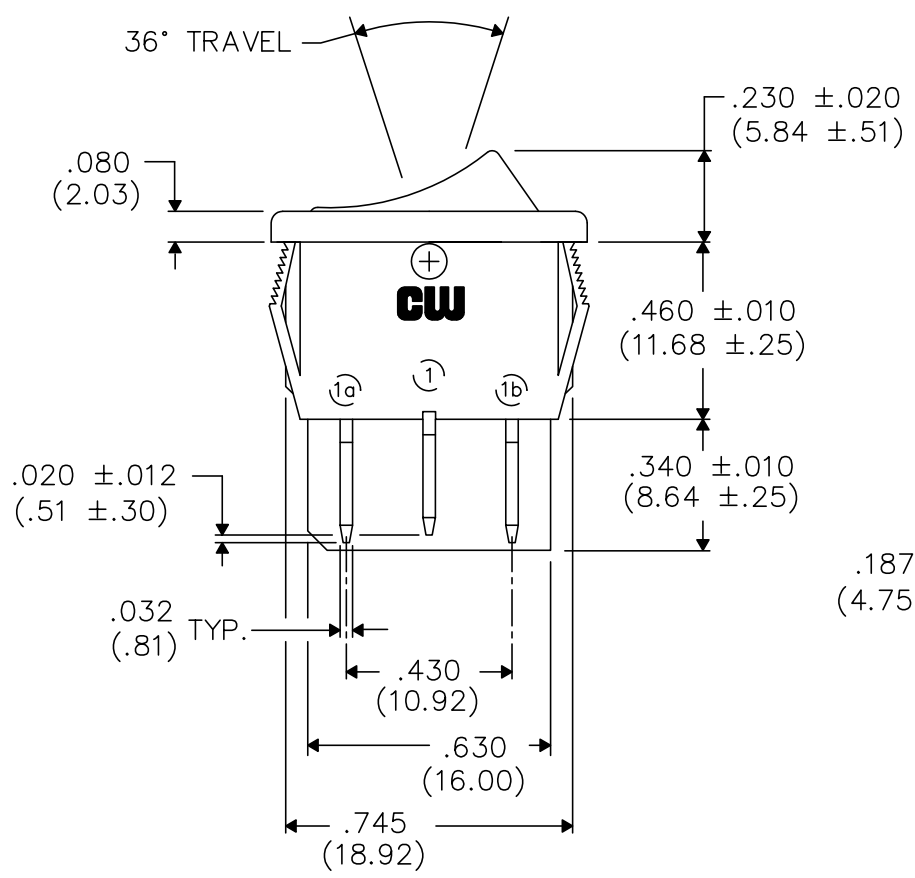
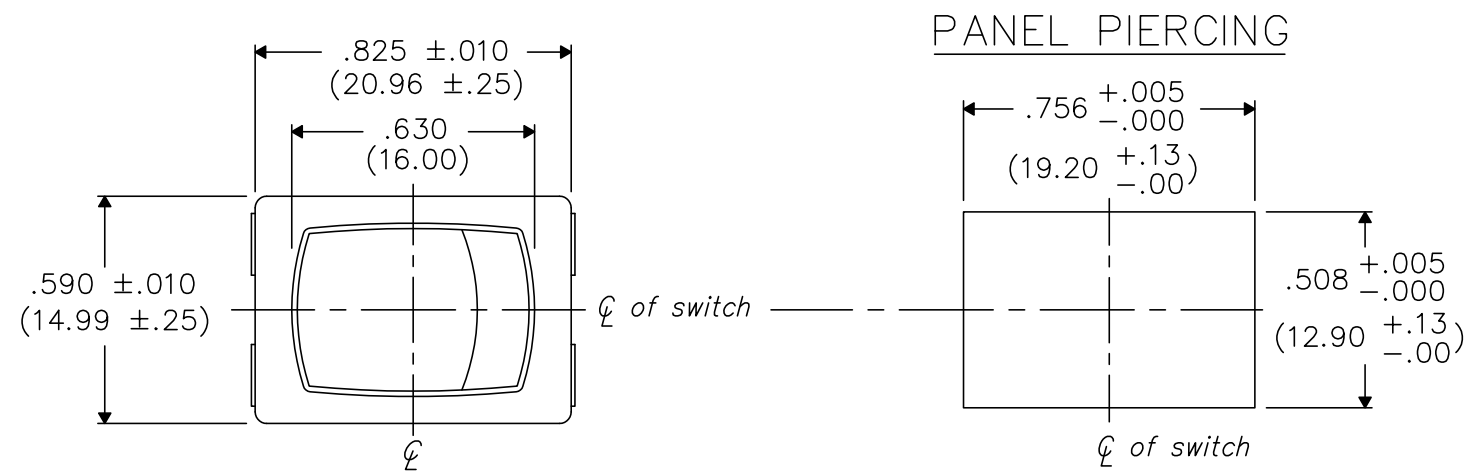


DIMENSIONS IN INCHES (MILLIMETERS)  
DO NOT SCALE DRAWING .....

Dwg. No.  
GRS-4022-1600

E  
D  
C  
B  
A



1 2 3 4 5 6 7 8 9 10

FORM-B4  
REVISIONS  
O  
RELEASED.  
DGW 7-19-2001  
7-30-2001

**CW INDUSTRIES**  
Southampton, Pa. 18966  
TOLERANCES UNLESS OTHERWISE SPECIFIED  
2 Place Decimal ±.010 METRIC  
3 Place Decimal ±.005 1 Place Dec. ±.25mm  
Angles ..... ±1° 2 Place Dec. ±.13mm

Made for: CW IND.  
Drawn by: DGW 7-19-2001  
Checked by: GG 7-24-01  
Approval: BF 7-27-01

Title: **ROCKER SWIDGET ASSEMBLY (POP IN) D.P.- D.T.**  
Division: SWITCH  
Dwg. No. GRS-4022-1600