

### Specification

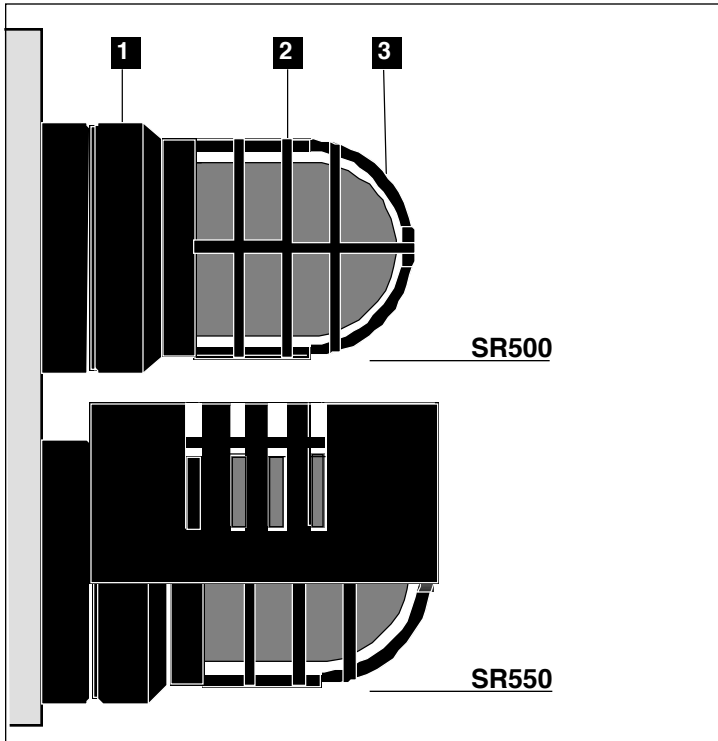
All exposed cast aluminum components are made of non corrosive pure aluminum copper free (Aluminum is less than .1% copper content.#356 alloy.)

Finish: All polyester powder baked coatings preceded with a 5 baths preparation process. Meets military grade MIL-C781706 with a 2000 hours salt spray test.

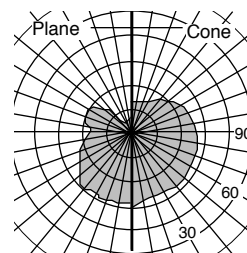
- Pulse rated porcelain socket or 75W/600V thermoplastic compact fluorescent socket.
- One-piece molded silicone gasket with memory retention.
- High power factor CWA ballast. Or 98% P.F. electronic smart ballast with end of life detection for compact fluorescent.
- All stainless steel hardware.
- All Moving and removable parts are sealed with a memory retention silicone gasket.

- 1- Cast aluminum modular ballast housing.
- 2- One piece cast aluminum star ribbed cage
- 3- Thermal shock and heat resistant borosilicate frosted heavy glass diffuser, with a prismatic linear inner glass structure.

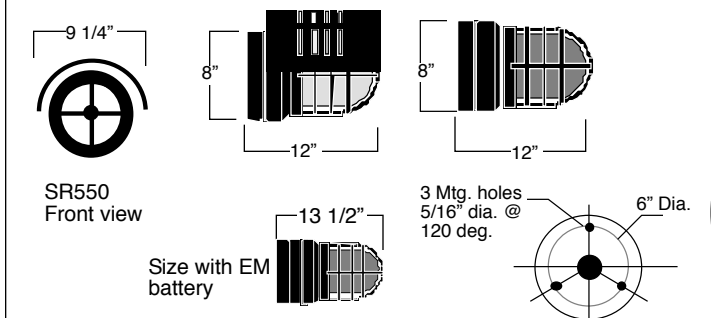
**SR550:** Slotted aluminum luminaire hood.



### Photometry



Separate updated technical specification sheets with related models and light sources with I.E.S formatted photometry are available on [www.luminis.com](http://www.luminis.com).



### Certification      Mounting & Weight

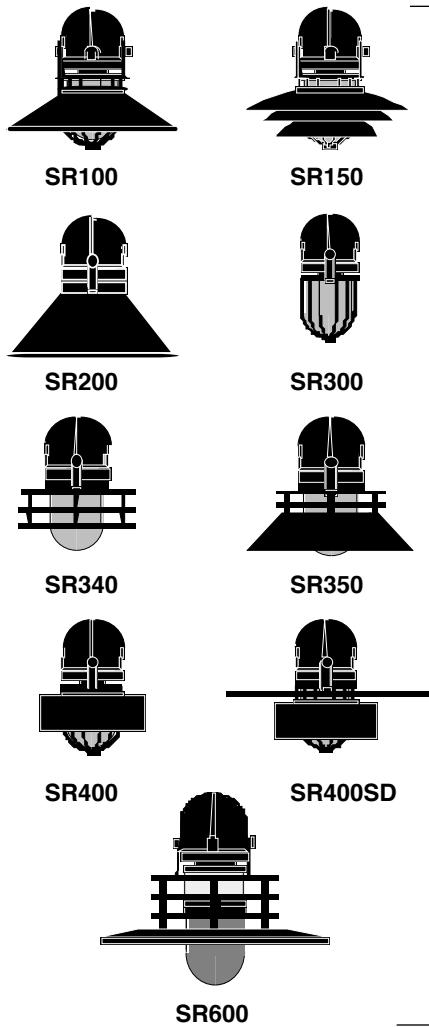
E.T.L Wet location

Max. weight: 12 lbs.. Installation: Mounts over a standard 4" octagonal electrical box with 3 1/2" c/c mounting holes. Additional mounting holes are provided to secure luminaire to wall.

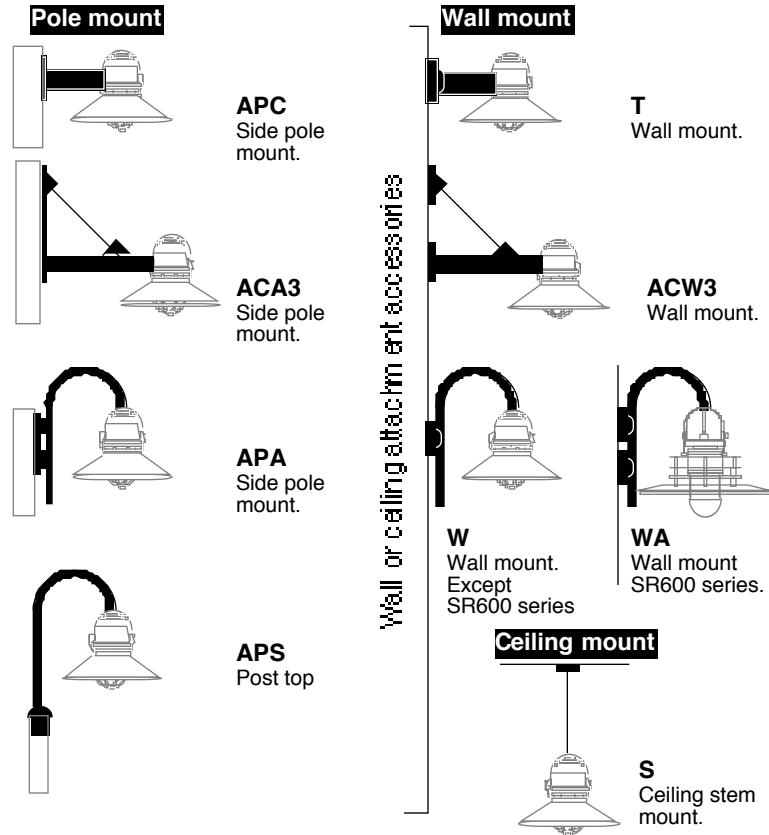
Please refer to page 103 for additional details.

Model#	Light source selection	Voltage	Finish Options	Accessories
<input type="checkbox"/> SR500 <input type="checkbox"/> SR550	<b>CF (Gx24q)</b> Two lamp <input type="checkbox"/> F232 <input type="checkbox"/> F242	<b>120 V</b> Standard factory prewired (If no voltage is specified) For other voltages, please specify with catalog number. <b>Compact fluorescent smart ballast 120/277</b> <input type="checkbox"/> 347 V (To specify)	(Refer to color chart) <u>Standard selection</u> <input type="checkbox"/> <b>WHT:</b> Snow white <input type="checkbox"/> <b>BKT:</b> Jet black <input type="checkbox"/> <b>BZT:</b> Bronze <input type="checkbox"/> <b>GRT:</b> Titanium gray <input type="checkbox"/> <b>DGT:</b> Gun metal <input type="checkbox"/> <b>CHT:</b> Champagne <input type="checkbox"/> <b>MST:</b> Matte silver <input type="checkbox"/> <b>GNT:</b> Forest green <u>Optional colors</u> <input type="checkbox"/> <b>CS:</b> Custom color <input type="checkbox"/> <b>RAL:</b> RAL# color	<input type="checkbox"/> <b>CM:</b> Ceiling mount kit. (Max. 2x32W) <input type="checkbox"/> <b>CV:</b> Aluminum front cap. <input type="checkbox"/> <b>FH:</b> Solid aluminum hood <input type="checkbox"/> <b>PC5:</b> High impact diffuser. Max. 2X32W <input type="checkbox"/> <b>PM:</b> Pier mount conversion kit.  <u>Electrical</u> <input type="checkbox"/> <b>EM42S:</b> 1 lamp (26/32/42W) <input type="checkbox"/> <b>FS:</b> Fuse <input type="checkbox"/> <b>PH1:</b> 120/277V photo cell. <input type="checkbox"/> <b>PH2:</b> 347V photo cell. Note: <b>EM</b> optional battery test switch and pilot lamp are installed remotely. (See page 103)
	<b>CF (Gx24q)</b> Single lamp <input type="checkbox"/> F126 <input type="checkbox"/> F132 <input type="checkbox"/> F142 <input type="checkbox"/> F157			

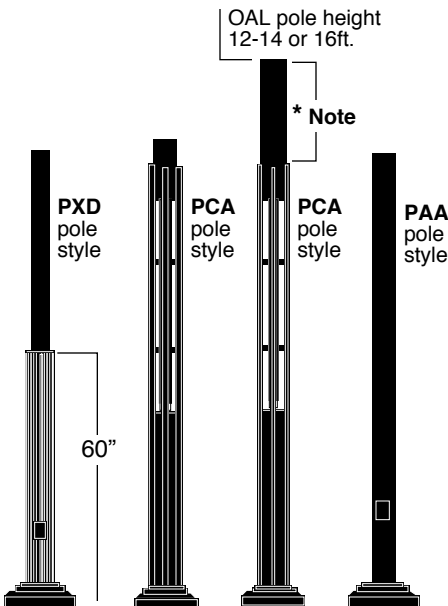
Luminaries may be altered for improvements or discontinued without prior notice.



Note: A mounting accessory is required to complete an installation assembly.



\* Note:  
36" extension with ACA3 attachment  
24" extension with APC & APA attachment



### Compatible poles listing.

Post side mount with APA attachment accessory

Mounting style	4" O.D.	5" O.D.	4" O.D.	4" O.D.	Pole height
APA	PAA410-APA	PAA510-APA		PXD10-APA	10 ft
	PAA412-APA	PAA512-APA	PCA12-APA	PXD12-APA	12 ft
	PAA414-APA	PAA514-APA	PCA14-APA	PXD14-APA	14 ft
	PAA416-APA	PAA516-APA	PCA16-APA	PXD16-APA	16 ft
	PAA418-APA	PAA518-APA		PXD18-APA	18 ft
	PAA420-APA	PAA520-APA		PXD20-APA	20 ft

Post side mount with APC attachment accessory

APC	PAA410-APC	PAA510-APC		PXD10-APC	10 ft
	PAA412-APC	PAA512-APC	PCA12-APC	PXD12-APC	12 ft
	PAA414-APC	PAA514-APC	PCA14-APC	PXD14-APC	14 ft
	PAA416-APC	PAA516-APC	PCA16-APC	PXD16-APC	16 ft
	PAA418-APC	PAA518-APC		PXD18-APC	18 ft
	PAA420-APC	PAA520-APC		PXD20-APC	20 ft

Post side mount with APS attachment accessory

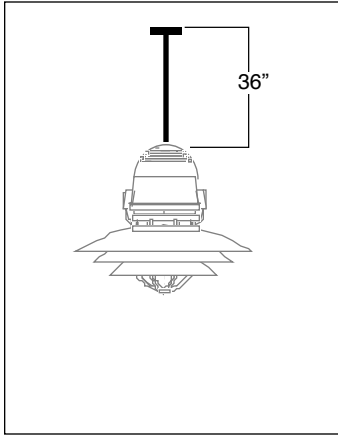
APS	PAA410-A	PAA510-A1	PCA10-A	PXD10-A	10 ft
	PAA412-A	PAA512-A1	PCA12-A	PXD12-A	12 ft
	PAA414-A	PAA514-A1	PCA14-A	PXD14-A	14 ft
	PAA416-A	PAA516-A1	PCA16-A	PXD16-A	16 ft
	PAA418-A	PAA518-A1		PXD18-A	18 ft
	PAA420-A	PAA520-A1		PXD20-A	20 ft

Post side mount with ACA3 attachment accessory

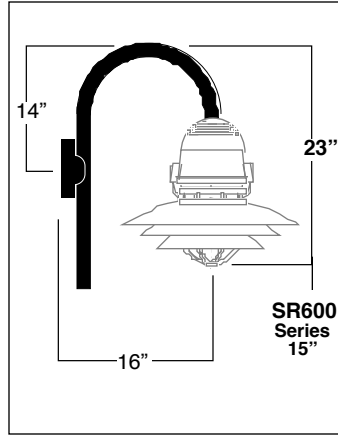
ACA3	PAA414-ACA	PAA514-ACA	PCA14-ACA	PXD14-ACA	14 ft
	PAA416-ACA	PAA516-ACA	PCA16-ACA	PXD16-ACA	16 ft
	PAA418-ACA	PAA518-ACA		PXD18-ACA	18 ft
	PAA420-ACA	PAA520-ACA		PXD20-ACA	20 ft

For poles details and specification, please refer to pages 140 to 144

Luminaires may be altered for design improvements or discontinued without prior notice.

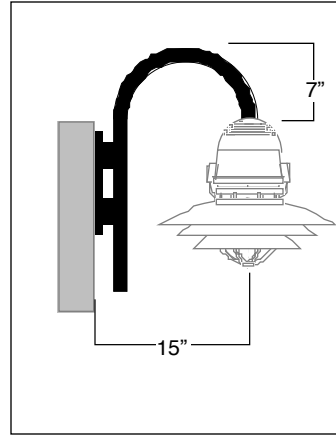


**-S**  
15° swivel ceiling mount with 1/2" dia. X36"lg aluminum stem. luminaire top adaptor allowing to cut stem to length on site. (Mounts over a standard 4" octagonal box with 3 1/2" C/C holes)

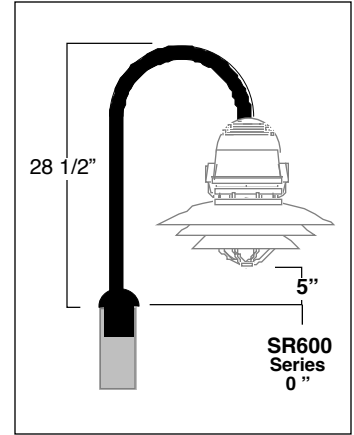


**W** -1 5/8" Dia. shepherd aluminum arm wall mount, with a cast aluminum wall cover and galvanized steel mounting plate.

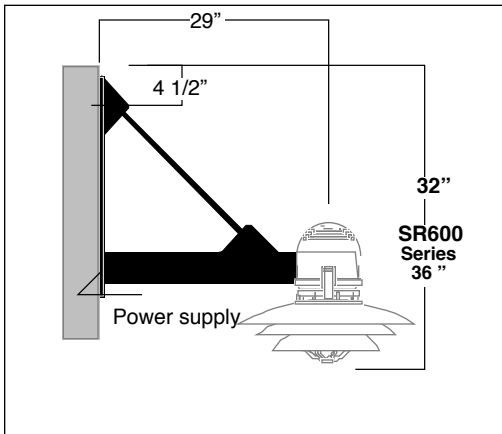
**WA**- For SR600 series with double wall cast mounting plate



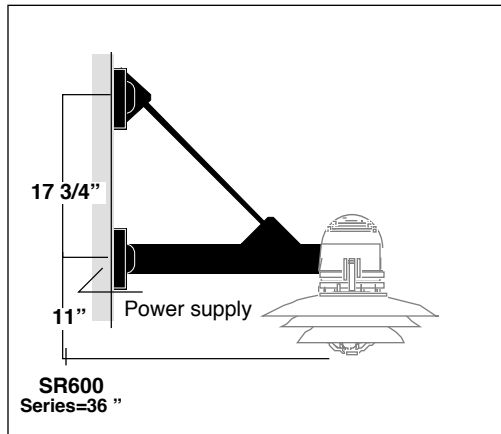
**APA** -1 5/8" Dia. shepherd aluminum side pole mount. (EPA: 0.15)



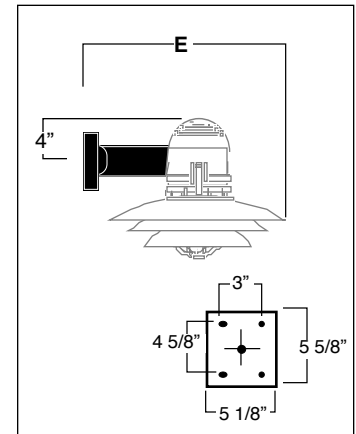
**APS** -1 5/8" Dia. shepherd aluminum post top mount, with a cast aluminum tenon to fit with a 3 3/4" I.D. pole. (EPA: 0.15)



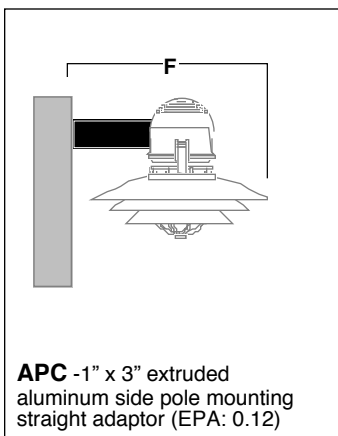
**ACA3** -1" x 3" extruded aluminum Davit arm pole mounting adaptor designed to fit with 4 to 5" dia. poles. 1/2" dia. X 45° standard natural stainless steel rod support. (EPA: 0.7)



**ACW3** -1" x 3" extruded aluminum Davit arm wall mounting adaptor with cast aluminum covers and galvanized steel mounting plates. 1/2" dia. X 45° standard natural stainless steel rod support.



**T** -1" x 3" extruded aluminum wall mounting straight adaptor with cast aluminum cover and galvanized steel mounting plate.



**APC** -1" x 3" extruded aluminum side pole mounting straight adaptor (EPA: 0.12)

Option "T"      Option "APC"

	E	F
SR100		
SR150	22 1/2"	21 1/2"
SR200		
SR350		
SR300	17"	16"
SR400SD	24 1/2"	23 1/2"
SR410SD		
SR400	18 1/2"	18 1/2"
SR410		
SR600	25"	24"

Above listed dimensions may vary upon minor design changes. For critical conditions, please consult factory.

Luminaries may be altered for improvements or discontinued without prior notice.

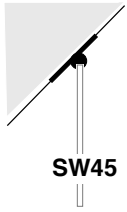
**LUMINIS** [ USA ] - 3555 NW 53rd Court, Fort Lauderdale, FL.33309  
**LUMINIS** [ Canada ] - 87 C Brunswick D.D.O. Q.C. Canada H9B 2J5

Tel: 954 .717 .4155      Fax: 954 . 717.4157  
 Toll free: 888 .401 .6999

Web: www.luminis.com  
 June.2007

Please specify selected option as a suffix to the specified model number. Some options may not be compatible when used in the same luminaire. This information is indicated when it is applicable.

### Slope ceiling adaptor



Option: **SW45**  
45° hang straight ball swivel for 5/8" dia. suspension stem.

### Longer suspension stem



Option  
**STM60** 36" lg. X5/8" O.D. suspension stem.  
**STM80** 60" lg. X5/8" O.D. suspension stem.  
80" lg. X5/8" O.D. suspension stem.

Stems can be cut on site and rethreaded externally (Tap size 1/4-18)

For other factory cut to size length add suffix **-STM** with desired length to catalog# max.120"

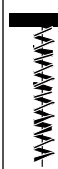
### Suspension power cord



**Note:** cable size and type may change at factory discretion upon availability, to accommodate required wiring with selected option.

Option: **SPW** (White)  
**SPB** (Black)  
3/18 X 36"lg. power cord with adjustable aircraft cable.  
**SPB** Black power cable only with options EM42 / EM42S QS / DS / DS2

### Spiral power cord



Option: **TCW** (White)  
**TCB** (Black)  
3/18 Spiral power cord Max. 277V Standard extended length: 3ft.  
Not applicable when using options EM42 / EM42S QS / DS / DS2

### Aluminum hood

Option: **FH**



One piece solid aluminum reflector hood. All painted same color as luminaire. Replaces slotted standard hood.

### Safety suspension cable



Option: **STC**  
Safety aircraft suspension cable, for applications with earthquake regulations. Cables extends 18" beyond canopy. (Secured to building structure)

### Pier mount adaptor

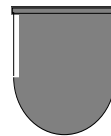
Option: **PM**



Pier mount or short wall perimeter mounting adaptor plate. Fits with SR500 series



### Impact resistant diffuser



Option: **PC5**

High impact white translucent U.V. stabilized acrylic diffuser. Max. 50W H.I.D. or 2x32w C.F.L.

### Quartz lamp restrike



Option: **QRS**  
Quartz restrike standby lamp kit max.100W DC bayonet type

### Light photo sensor



Option:  
**PH1** -120V  
**PH2** - 277 / 347V

**PH1 & PH2** Photo electric sensors, are installed with luminaire when specified with C.F.L. sources. For H.I.D sources PH1 or PH2 are installed with pole only. (see options APA/APS/ACA3/APC)

### Emergency battery pack

For 57w & 70w: Consult factory

**EM42** For **SR700** series only

One lamp:  
26w: 450 Lmns..  
32w: 575 Lmns..  
42w: 750 Lmns.

**Please refer to page 16 for more details**

### Quartz lamp restrike



Option: **QS**  
Quartz lamp socket for external 120V emergency power input. Separate 120V dedicated wiring is included. max.100 W DC bayonet type. (Lamp is not included.) Not Applicable with CFL lamps.

### Fuse



Option  
**FS** Ballast protection fuse Available with H.I.D. luminaires only

Note: FS option fuse is factory calibrated and installed with selected wattage.

Post mount luminaires:  
FS installed with pole.

All other types:  
FS is installed with luminaire.

### Emergency battery back-up

#### EM42 / EM42S

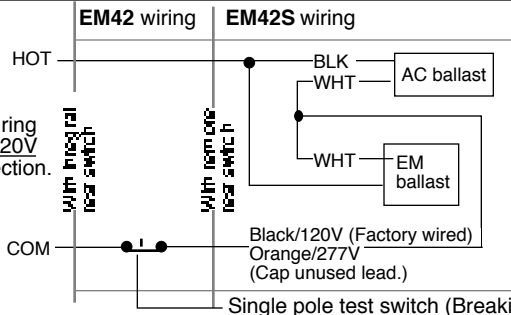
One lamp:

26w: 450 Lmns.. Time: 90 Mnts -  
32w: 575 Lmns. 120/277V / T 0° C  
42w: 750 Lmns.

Note: Use of Emergency battery, requires periodic and regular testing to ensure correct operation. (please refer to manufacturer's instructions.)

For 57w & 70w:  
(Remote installation only) Consult factory

EM Ballast wiring diagram for 120V factory connection.



Note:  
EM42 option is supplied with integral test switch and pilot light.

EM42S is supplied with additional wiring for external remotely installed test switch and pilot light.

Please refer to luminaire specification sheet option listing.

Luminaires may be altered for improvements or discontinued without prior notice.