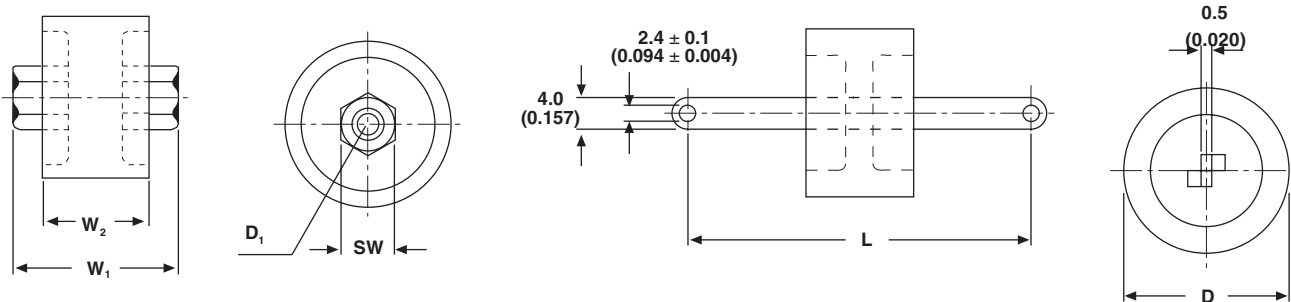


Barrel-Style Capacitors - Class 1 Ceramic

TOS 016010 5 KV_P
TOS 025016 9 KV_P

TOF 016010 5 KV_P
TOF 025016 9 KV_P



• Dimensions in millimeters (inches)

MODEL	TOF 016010	TOS 016010	TOF 025016	TOS 025016
D	16 (0.630)	16 (0.630)	25 (0.984)	25 (0.984)
D ₁		M 5 thread 4.5 (0.177) depth		M 6 thread 7 (0.276) depth
W ₁		23 max. (0.906 max.)		35 max. (1.378 max.)
W ₂	10 (0.394)	10 (0.394)	16 (0.630)	16 (0.630)
L	49 max. (1.929 max.)		55 max. (2.165 max.)	
SW		8.0 (0.315)		10 (0.394)

MATERIAL:

Capacitor elements made from Class 1 ceramic dielectric with noble metal electrodes.
 Connection Terminals: Copper/brass, silver plated.

MARKING:

Type designator, Capacitance value and tolerance, Rated voltage (peak value), Production date code, Ceramic material code, DRALORIC Logo.

FINISH:

Noble metal electrodes and insulating rim completely lacquered.

INSTALLATION GUIDELINES:

We recommend the use of a wrench when tightening and fastening screws of the TOS model.

ORDERING INFORMATION				
TOS 025016	19 KVp	100 pF	± 20 %	R 85
MODEL	RATED VOLTAGE	CAPACITANCE VALUE	TOLERANCE	CERAMIC



TOF 016010, TOS 016010				
CERAMIC	CAPACITANCE VALUE [pF]	RATED VOLTAGE [KV _P]	RATED POWER* [KVA _r]	RATED CURRENT [A _{RMS}]
R 7	1.5	5	3	max. 3
	2			
	3			
	4			
R 42	5	5	4	max. 4
	6			
	7			
	8			
	10			
	12			
R 85	16	5	4	max. 5
	20			
	25			
	30			
	40			
R 7	50	9	5	max. 5
	2			
	3			
	4			
R 16	5	9	8	max. 6
	6			
	7			
R 42	8	9	10	max. 10
	10			
	12			
	16			
R 85	20	9	10	max. 10
	25			
	30			
	40			
	50			
	60			
	70			
80				
	100			

* The surface temperature of 100 °C must not be exceeded

CAPACITANCE TOLERANCES:

< 10 pF: ± 2 pF, ± 1 pF, ± 0.5 pF
 ≥ 10 pF: ± 20 %, ± 10 %, ± 5 %



Disclaimer

All product specifications and data are subject to change without notice.

Vishay Intertechnology, Inc., its affiliates, agents, and employees, and all persons acting on its or their behalf (collectively, "Vishay"), disclaim any and all liability for any errors, inaccuracies or incompleteness contained herein or in any other disclosure relating to any product.

Vishay disclaims any and all liability arising out of the use or application of any product described herein or of any information provided herein to the maximum extent permitted by law. The product specifications do not expand or otherwise modify Vishay's terms and conditions of purchase, including but not limited to the warranty expressed therein, which apply to these products.

No license, express or implied, by estoppel or otherwise, to any intellectual property rights is granted by this document or by any conduct of Vishay.

The products shown herein are not designed for use in medical, life-saving, or life-sustaining applications unless otherwise expressly indicated. Customers using or selling Vishay products not expressly indicated for use in such applications do so entirely at their own risk and agree to fully indemnify Vishay for any damages arising or resulting from such use or sale. Please contact authorized Vishay personnel to obtain written terms and conditions regarding products designed for such applications.

Product names and markings noted herein may be trademarks of their respective owners.