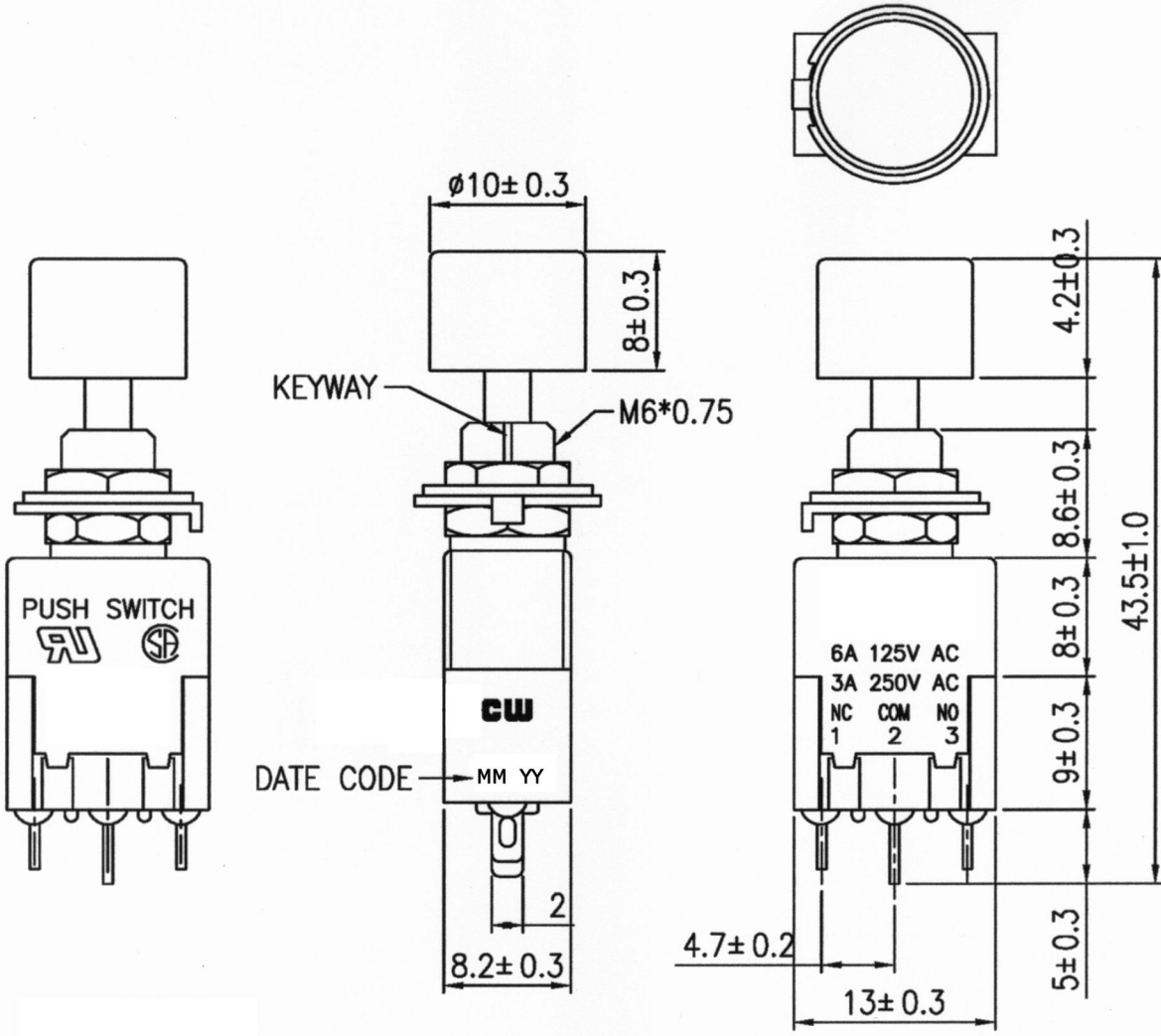


THIS INFORMATION IS CONFIDENTIAL AND PROPRIETARY TO CW INDUSTRIES INCORPORATED AND ITS AFFILIATES. IT MAY NOT BE DISCLOSED TO ANYONE, OTHER THAN CW INDUSTRIES PERSONNEL, WITHOUT WRITTEN AUTHORIZATION FROM CW INDUSTRIES INCORPORATED, SOUTHAMPTON, PENNSYLVANIA USA.

Rating	6A 125V AC 3A 250V AC		Mounting Hole	Circuit Diagram
Contact Resistance	50m ohm max.			<p>SPDT ON - (ON) ( ) = Momentary</p>
Insulation Resistance	DC 500V 100M ohm min.			
Dielectric Strength	AC 1000V 1 minute			
Operating Temperature	-20°C ~ 65°C			

Cut-Out 4mm thk. max.

BASE COLOR: Blue  
BUTTON COLOR: Black



RoHS Compliant

**CW INDUSTRIES**  
Southampton, Pa. 18966  
Tel 215.355.7080/www.cwind.com

Date Drawn: 12/22/09	Rev. 0	Unit: mm	Checked By: G. Guld
Title: MINI PUSH BUTTON		CW P/N: GPB001PA06A1UB	