

OSC-2 Oscillator Board (Dumping Resistor Mounting Type)

REJ01J0001-0100Z
Rev.1.00
2004.04.16

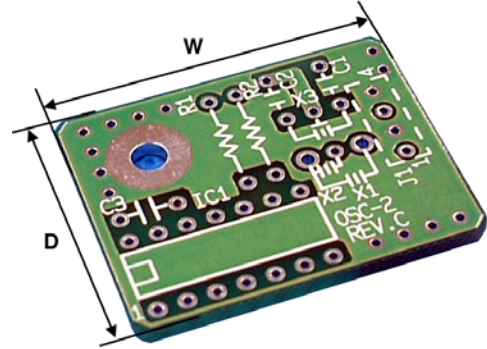
Function

The OSC-2 is a clock oscillator board that is fitted on an emulation pod or a temporary target board, etc. Users can mount the desired oscillation module on its board.

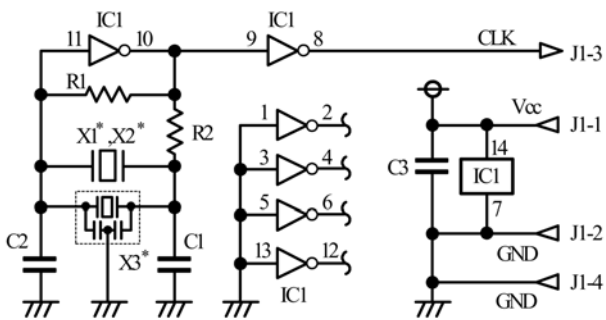
Dimensions

25.0(D)×32.0(W)mm

Circuit Diagram



[Ordering Information] See Appendix H "Ordering Information".



*. X1:5.08-mm-pitch 2-pin oscillator
X2:2.54-mm-pitch 2-pin oscillator
X3:2.54-mm-pitch 3-pin oscillator

IC1: Inverter (Unbuffer)

OSC-3 Oscillator Board (Oscillation Module Mounting Type)

REJ01J0001-0100Z
Rev.1.00
2004.04.16

Function

The OSC-3 is a clock oscillator board that is fitted on an emulation pod or a temporary target board, etc. Users can mount the desired oscillation module on its board.

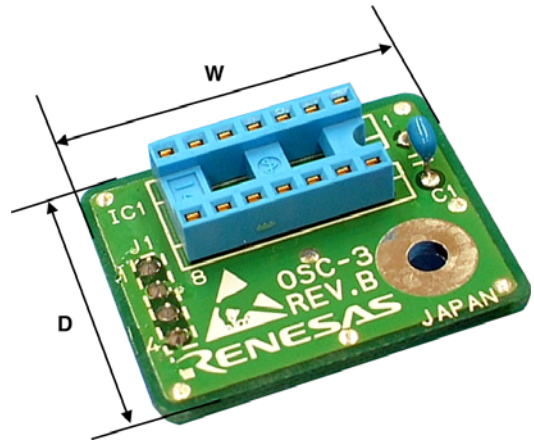
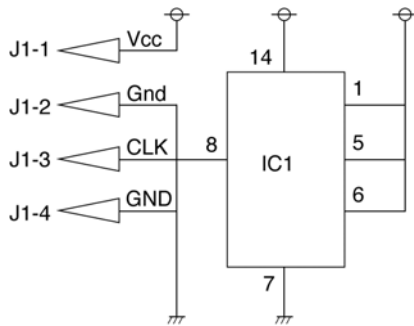
Suitable Oscillation Module

We recommend SG51P series oscillation module made by SEIKO EPSON CORPORATION. For inquiries about more information of SG51P series, contact [EPSON TOYOCOM CORPORATION](http://www.epson.com).

Dimensions

25.0(D)×31.0(W)mm

Circuit Diagram



[Ordering Information] See Appendix H "Ordering Information".

OSC-4 Oscillator Board (8 and 16MHz Selection Type)

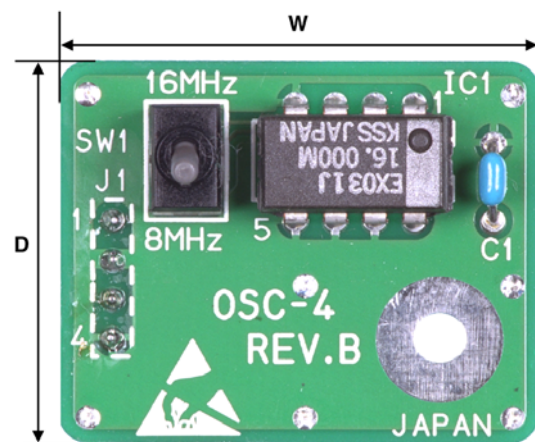
REJ01J0001-0100Z
Rev.1.00
2004.04.16

Function

The OSC-4 is a clock oscillator board that is fitted on an emulation pod or a temporary target board, etc. (already assembled). It has two oscillation frequencies (8 and 16MHz) that can be selected by a switch.

Dimensions

25.0(D)×31.0(W)mm



[Ordering Information] See Appendix H "Ordering Information".