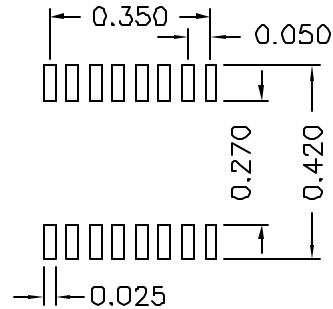
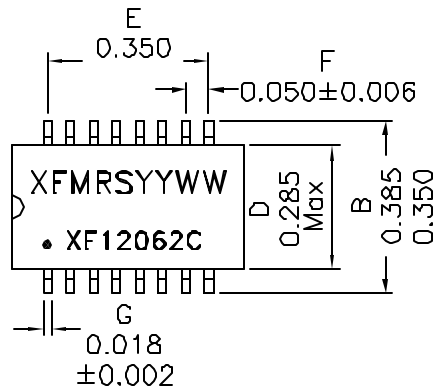
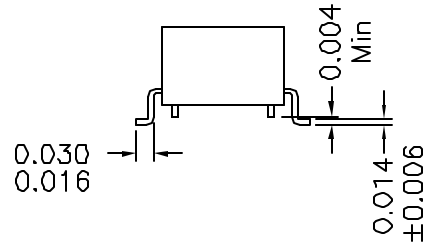
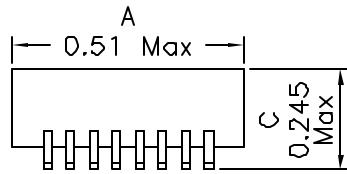
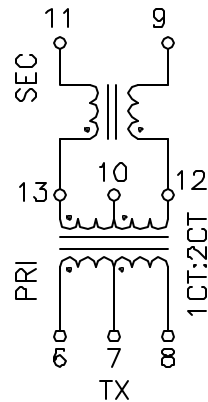
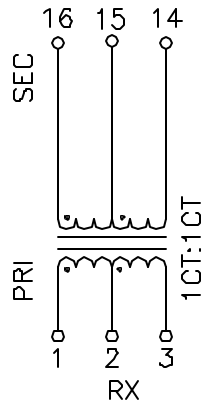


### 1. Dimensions:



SUGGESTED FOOTPRINT

### 2. Schematic:



DOC. REV: A/5

### 3. Electrical Specifications: @25°C

Isolation Voltage: 1500 VAC

Turns Ratio: 1CT:2CT ±5% (TX)

1CT:1CT ±5% (RX)

OCL: Pins 1-3 & 6-8 112µH Min. @100KHz 100mV

Cw/w: 9pF Max @ 100KHz 20mV (Pri/Sec)

Pri LL: 0.3µH Max @ 100KHz 20mV Sec Shorted

DC Res.: 0.80 Ohms Max

#### Notes:

1. Solderability: Leads shall meet MIL-STD-202G, Method 208H for solderability.
2. Flammability: UL94V-0
3. ASTM oxygen index: > 28%
4. Insulation System: Class F 155°C. UL file E151556
5. Operating Temperature Range: All listed parameters are to be within tolerance from -40°C to +85°C
6. Storage Temperature Range: -55°C to +125°C
7. Aqueous wash compatible
8. SMD Lead Coplanarity: ±0.004" (0.102mm)
9. Electrical and mechanical specifications 100% tested
10. RoHS Compliant Component

<b>XFMRs Inc</b> www.XFMRs.com		Title: 10 BASE T ISOLATION MAGNETICS	
UNLESS OTHERWISE SPECIFIED TOLERANCES: .xxx ±0.010 Dimensions in Inch	P/N: XF12062C		REV. A
	DWN.	Xian Yi	Apr-15-09
	CHK.	YK Liao	Apr-15-09
SHEET 1 OF 1	APP.	Joe Huff	Apr-15-09

**PROPRIETARY**

Document is the property of XFMRs Group & is not allowed to be duplicated without authorization.