

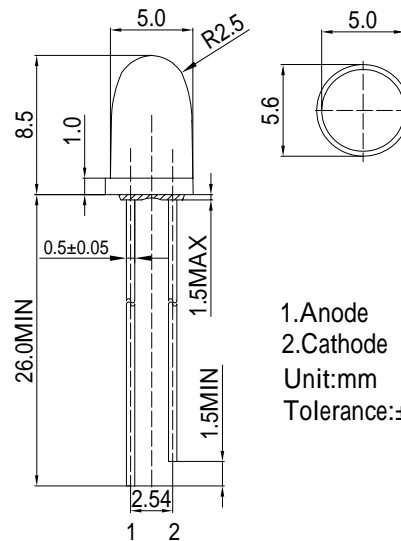
### Features

- High Luminous LEDs
- 5mm Bullet Standard Directivity
- Superior Weather-resistance
- UV Resistant Epoxy
- Water Clear Type

### Applications

- Electronic Signs And Signals
- Small Area Illuminations
- Back Lighting
- Other Lighting

### Outline Dimension



1. Anode  
2. Cathode  
Unit:mm  
Tolerance:±0.30mm

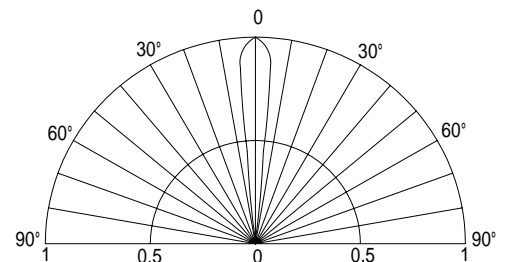
### Absolute Maximum Rating

(Ta=25 )

| Item                       | Symbol          | Value     | Unit |
|----------------------------|-----------------|-----------|------|
| DC Forward Current         | I <sub>F</sub>  | 30        | mA   |
| Pulse Forward Current*     | I <sub>FP</sub> | 100       | mA   |
| Reverse Voltage            | V <sub>R</sub>  | 5         | V    |
| Power Dissipation          | P <sub>D</sub>  | 108       | mW   |
| Operating Temperature      | Topr            | -30 ~ +85 |      |
| Storage Temperature        | Tstg            | -40~ +100 |      |
| Lead Soldering Temperature | Tsol            | 260 /5sec | -    |

\*Pulse width Max.10ms Duty ratio max 1/10

### Directivity



### Electrical -Optical Characteristics

(Ta=25 )

| Item                | Symbol            | Condition            | Min. | Typ.  | Max. | Unit |
|---------------------|-------------------|----------------------|------|-------|------|------|
| DC Forward Voltage  | V <sub>F</sub>    | I <sub>F</sub> =20mA | 2.9  | 3.1   | 3.6  | V    |
| DC Reverse Current  | I <sub>R</sub>    | V <sub>R</sub> =5V   | -    | -     | 10   | μA   |
| Domi. Wavelength*   | λ <sub>D</sub>    | I <sub>F</sub> =20mA | 520  | 525   | 530  | nm   |
| Luminous Intensity* | I <sub>v</sub>    | I <sub>F</sub> =20mA | -    | 35000 | -    | mcd  |
| 50% Power Angle     | 2θ <sub>1/2</sub> | I <sub>F</sub> =20mA | -    | 8     | -    | deg  |

\*1 Tolerance of dominant wavelength is ±1nm

\*2 Tolerance of luminous intensity is ±15%