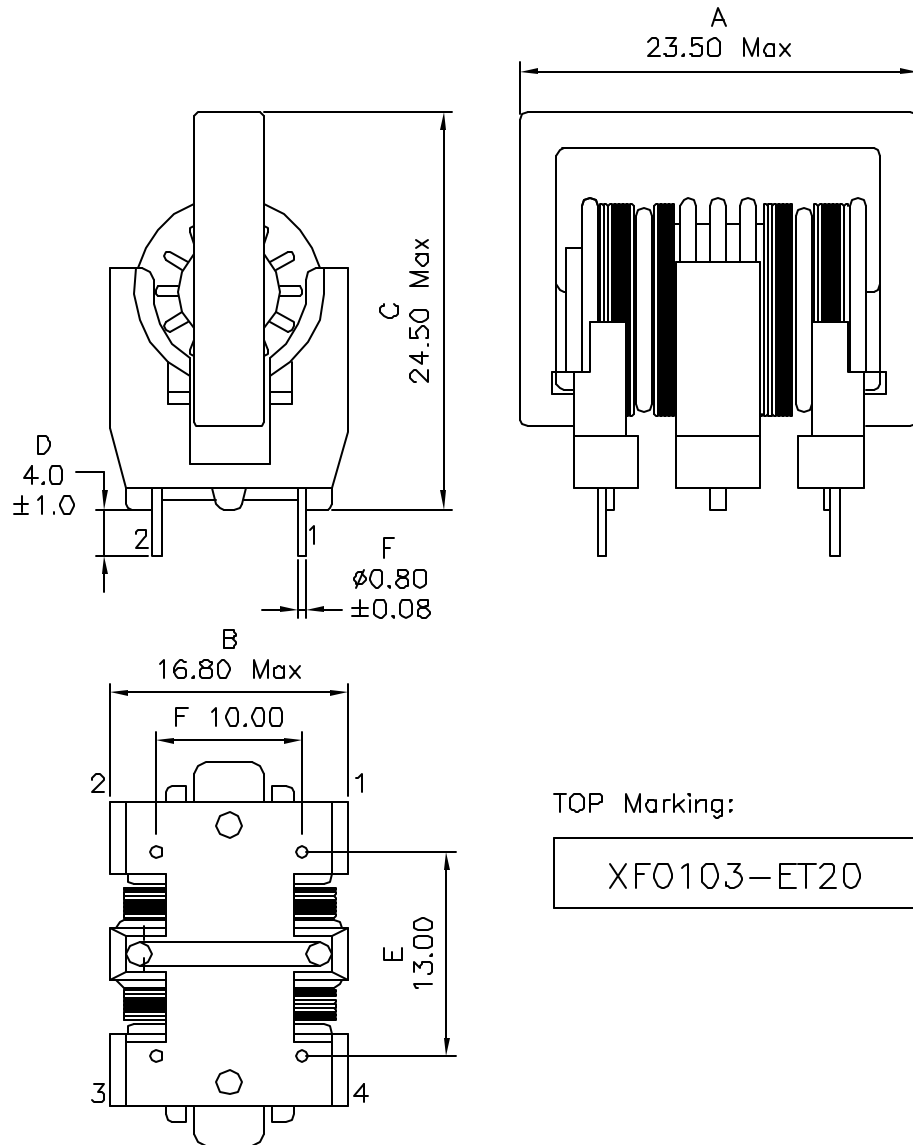
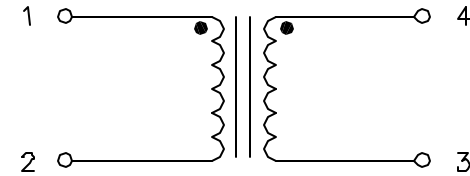


### 1. Mechanical Dimensions:



### 2. Schematic:



### 3. Electrical Specifications:

OCL: 10mH-30/+50% @10KHz 0.1V, Each Wdg

DCR: 0.300 Ohms Typ, Each Wdg

IDC: 1.4Arms Max

Rated Voltage: 250Vac/dc

Isolation Voltage: 1500Vac Wdg to Wdg

**Notes:**

1. Solderability: Leads shall meet MIL-STD-202G, Method 208H for solderability.
2. Flammability: UL94V-0
3. ASTM oxygen index: > 28%
4. Insulation System: Class F 155°C, UL file E15155B
5. Operating Temperature Range: All listed parameters are to be within tolerance from -40°C to +85°C
6. Storage Temperature Range: -55°C to +125°C
7. Aqueous wash compatible
8. Electrical and mechanical specifications 100% tested
9. RoHS Compliant Component

<b>XFMRs Inc</b> www.XFMRs.com	Title: LINE FILTER			
	UNLESS OTHERWISE SPECIFIED TOLERANCES:	P/N: XF0103-ET20	REV. A	
.xx ±0.30	DWN.	Juan Mao	Mar-04-08	
Dimensions in mm	CHK.	YK Liao	Mar-04-08	
SHEET 1 OF 1	APP.	Joe Huff	Mar-04-08	

DOC REV: A/5