

Detail "a" Bottom View (4:1)

NOTE:

070464FB025□□03WR

1. Selective plating
  - 'S1,-05u" Min. gold in contact area/  
100u" Min. Tin in solder area.
  - 'S2,-Gold flash in contact area/  
100u" Min. Tin in solder area.
  - 'S3,-10u" Min. gold in contact area/  
100u" Min. Tin in solder area.
  - 'S4,-15u" Min. gold in contact area/  
100u" Min. Tin in solder area.
  - 'S5,-30u" Min. gold in contact area/  
100u" Min. Tin in solder area.
  - 'S6,-50u" Min. gold in contact area/  
100u" Min. Tin in solder area.

4	SHELL	SPCC	---	NICKEL PLATED
3	FORK	COPPER	---	TIN PLATED
2	TERMINAL	PHO.BRONZE	---	SELECTIVE GOLD/TIN
1	PLASTICS	HIGH TEMP	---	UL94V-0
NO.	DESCRIPTION	MATERIAL	COLOR	REMARK

**SUYIN**  
CONNECTOR

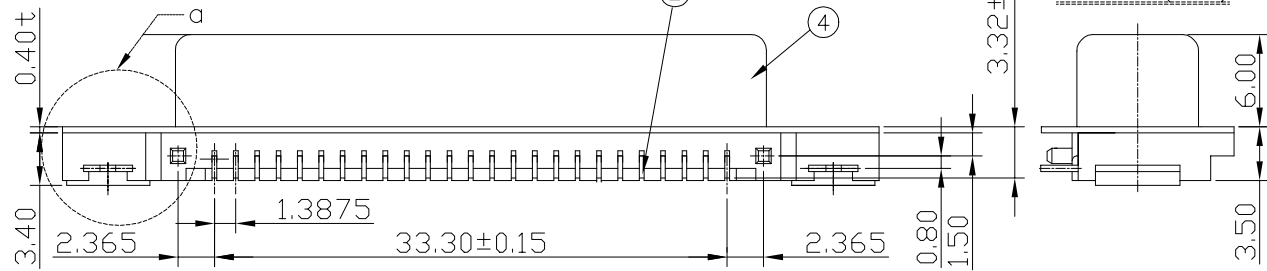
CUSTOMER COPY TITLE: D-SUB CONNECTOR FEMALE SMT TYPE

PART NO. 070464FB025SX03WR

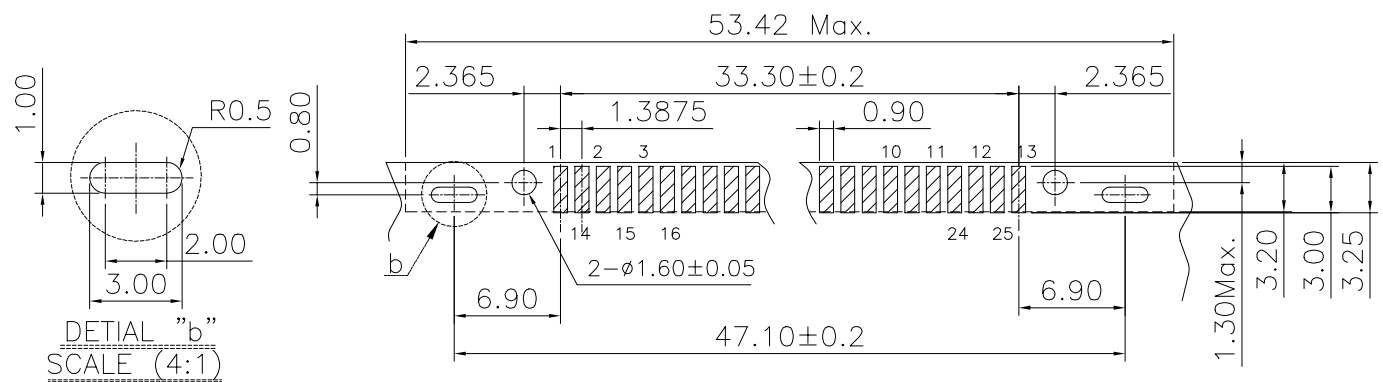
PART NO. (OLD) \_\_\_\_\_

DRAWING NO. <sup>D</sup>/<sub>ING</sub> 070464FB025SX03WR

SCALE 2:1 UNIT mm A4



Recommended P.C.B Layout(Component Side)



DETIAL "b"  
SCALE (4:1)

ECN (DCN) NO.	REV	DATE	DESCRIPTION	CHANGE	APPRO.	GENERAL TOLERANCE UNLESS OTHERWISE NOTED	APPRO.	ANGLE	±2°	DRAW
0			NEW					30 ~	±0.50	DESIGN
								10 ~ 30	±0.30	CHECK
								~ 10	±0.15	APPRO.