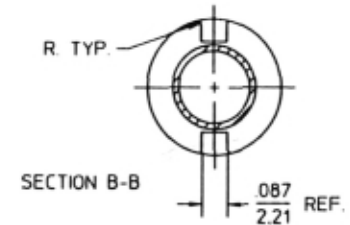
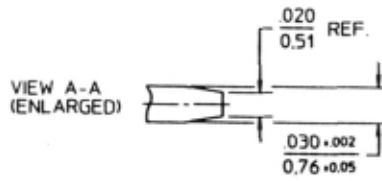
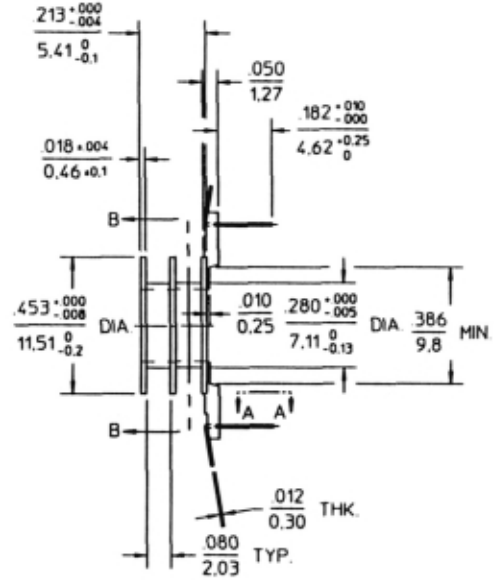
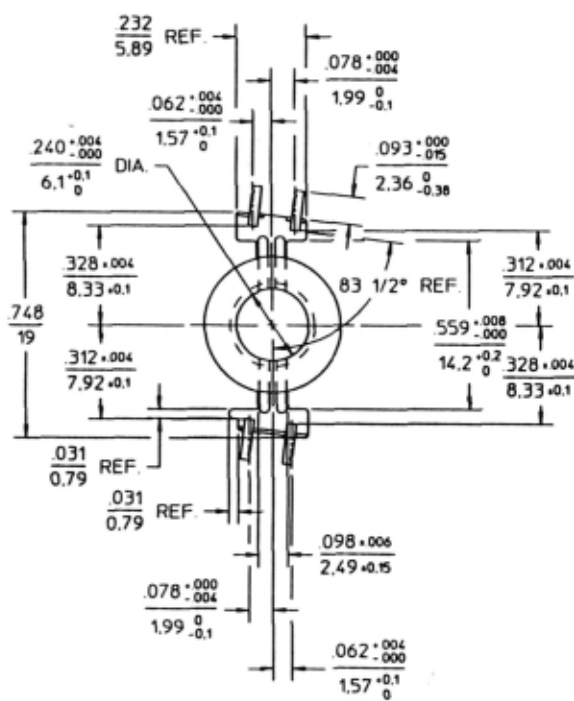


**FERROXCUBE**



Coilformer material: Zytel FR50 (PA), glass-reinforced  
 UL file number: E41938 - UL94V-0  
 Pin material: 70/30 Brass, Sn plated  
 Solderability: acc. to MIL-STD 202, method 208  
 Mean length of turn: 1.142 inch  
 Winding area: 0.007 sq inch

				01-06-01	
		<b>CPV-P14/8-2S-4SPD-Z</b>		<b>4335 060 26391</b>	