



### FEATURES

- RoHS compliant
- UL60950 recognized
- Power density 0.42W/cm<sup>3</sup>
- Wide temperature performance at full 1 watt load, -40°C to 60°C
- Single and dual outputs
- UL 94V-0 package material
- No heatsink required
- Footprint 1.91cm<sup>2</sup>
- SIP package style
- 5.2kVDC isolation
- 3V, 5V & 12V input
- 3V, 5V, 9V, 12V and 15V output
- Internal SMD construction
- Fully encapsulated with toroidal magnetics
- Pin compatible with the NMV series SIP DC/DC converters
- MTTF up to 13 million hours
- Custom solutions available

### PRODUCT OVERVIEW

The NMJ series are dual and single output DC/DC converters in a 7 pin SIP package style offering pin and functionality compatibility with the NMV series SIP DC/DC converters. The NMJ series is UL60950 recognized and suitable for applications where safety and miniaturisation are of paramount importance. Isolation barrier approved for supplementary/reinforced insulation - see page 2.



For full details go to [www.murata-ps.com/rohs](http://www.murata-ps.com/rohs)

### SELECTION GUIDE

| Order Code | Nominal Input Voltage | Output Voltage | Output Current | Ripple & Noise <sup>4</sup> | Efficiency (Min.) | Isolation Capacitance | MTTF <sup>1</sup> |
|------------|-----------------------|----------------|----------------|-----------------------------|-------------------|-----------------------|-------------------|
|            | V                     | V              | mA             | mV p-p                      | %                 | pF                    | kHrs              |
| NMJ0505SC  | 5                     | ±5             | ±100           | 40                          | 60                | 3.0                   | 4950              |
| NMJ0509SC  | 5                     | ±9             | ±55            | 30                          | 65                | 3.0                   | 3832              |
| NMJ0512SC  | 5                     | ±12            | ±42            | 20                          | 65                | 3.0                   | 2770              |
| NMJ0515SC  | 5                     | ±15            | ±33            | 20                          | 65                | 3.0                   | 1903              |
| NMJ1205SC  | 12                    | ±5             | ±100           | 40                          | 60                | 3.0                   | 3688              |
| NMJ1209SC  | 12                    | ±9             | ±55            | 30                          | 65                | 3.0                   | 3029              |
| NMJ1212SC  | 12                    | ±12            | ±42            | 20                          | 65                | 3.0                   | 2324              |
| NMJ1215SC  | 12                    | ±15            | ±33            | 20                          | 65                | 3.0                   | 1682              |
| NMJ0303SAC | 3.3                   | 3.3            | 303            | 70                          | 66                | 3.0                   | 13780             |
| NMJ0503SAC | 5                     | 3.3            | 303            | 60                          | 64                | 3.0                   | 13460             |
| NMJ0505SAC | 5                     | 5              | 200            | 50                          | 68                | 3.0                   | 13360             |
| NMJ0509SAC | 5                     | 9              | 111            | 50                          | 72                | 3.0                   | 12700             |
| NMJ0512SAC | 5                     | 12             | 83             | 50                          | 71                | 3.0                   | 11490             |
| NMJ0515SAC | 5                     | 15             | 66             | 50                          | 71                | 3.0                   | 9980              |
| NMJ1205SAC | 12                    | 5              | 200            | 50                          | 69                | 3.0                   | 8447              |
| NMJ1209SAC | 12                    | 9              | 111            | 50                          | 73                | 3.0                   | 8176              |
| NMJ1212SAC | 12                    | 12             | 83             | 50                          | 73                | 3.0                   | 7660              |
| NMJ1215SAC | 12                    | 15             | 66             | 50                          | 74                | 3.0                   | 6950              |

When operated **with** additional external load capacitance the rise time of the input voltage will determine the maximum external capacitance value for guaranteed start up. The slower the rise time of the input voltage the greater the maximum value of the additional external capacitance for reliable start up.

### INPUT CHARACTERISTICS

| Parameter     | Conditions                            | Min. | Typ. | Max. | Units |
|---------------|---------------------------------------|------|------|------|-------|
| Voltage range | Continuous operation, 3V input types  | 2.97 | 3.3  | 3.63 | V     |
|               | Continuous operation, 5V input types  | 4.5  | 5    | 5.5  |       |
|               | Continuous operation, 12V input types | 10.8 | 12   | 13.2 |       |

### OUTPUT CHARACTERISTICS

| Parameter                         | Conditions                                  | Min. | Typ. | Max. | Units |
|-----------------------------------|---|------|------|------|-------|
| Rated Power <sup>2</sup>          | T <sub>A</sub> =-40°C to 60°C               |      |      | 1    | W     |
| Voltage Set Point Accuracy        | See tolerance envelopes                     |      |      |      |       |
| Line regulation                   | High V <sub>IN</sub> to low V <sub>IN</sub> |      | 1.0  | 1.2  | %/%   |
| Load regulation<br>Single outputs | 10% load to rated load, xx03                |      | 10.0 | 15.0 | %     |
|                                   | 10% load to rated load, 0505                |      | 7.0  | 10.0 |       |
|                                   | 10% load to rated load, 0509, 0512, 0515    |      | 6.0  | 10.0 |       |
|                                   | 10% load to rated load, 12xx                |      | 5.0  | 7.0  |       |
| Load regulation<br>Dual outputs   | 10% load to rated load, 5V output types     |      | 10.0 | 15.0 | %     |
|                                   | 10% load to rated load, 9V output types     |      | 6.0  | 10.0 |       |
|                                   | 10% load to rated load, 12V output types    |      | 6.0  | 10.0 |       |
|                                   | 10% load to rated load, 15V output types    |      | 6.0  | 10.0 |       |
| Zero Load Power Consumption       | All types                                   |      | 250  |      | mW    |

### ABSOLUTE MAXIMUM RATINGS

|   |          |
|---|----------|
| Short-circuit protection <sup>3</sup>           | 1 second |
| Lead temperature 1.5mm from case for 10 seconds | 300°C    |
| Input voltage V <sub>IN</sub> , NMJ03 types     | 5V       |
| Input voltage V <sub>IN</sub> , NMJ05 types     | 7V       |
| Input voltage V <sub>IN</sub> , NMJ12 types     | 15V      |

1. Calculated using MIL-HDBK-217 FN2 calculation model with nominal input voltage at full load.
  2. See derating graph.
  3. Supply voltage must be discontinued at the end of the short circuit duration.
  4. See ripple & noise test method.
- All specifications typical at T<sub>A</sub>=25°C, nominal input voltage and rated output current unless otherwise specified.

**ISOLATION CHARACTERISTICS**

| Parameter              | Conditions                | Min. | Typ. | Max. | Units |
|------------------------|---------------------------|------|------|------|-------|
| Isolation test voltage | Flash tested for 1 second | 5200 |      |      | VDC   |
| Resistance             | Viso= 500VDC              |      | 1    |      | GΩ    |

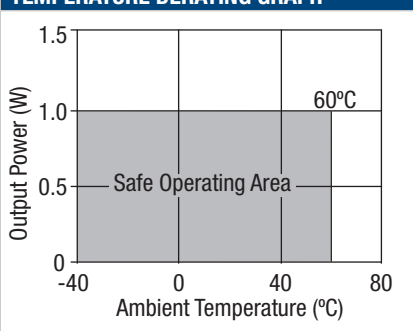
**GENERAL CHARACTERISTICS**

| Parameter           | Conditions    | Min. | Typ. | Max. | Units |
|---------------------|---------------|------|------|------|-------|
| Switching frequency | Single output |      | 45   |      | kHz   |
|                     | Dual output   |      | 70   |      |       |

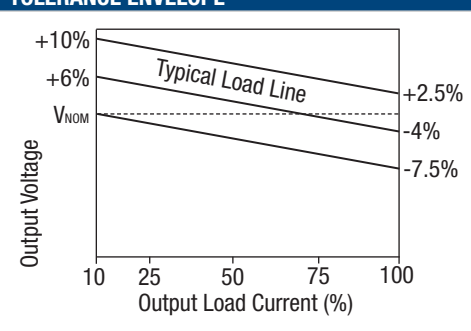
**TEMPERATURE CHARACTERISTICS**

| Parameter                      | Conditions          | Min. | Typ. | Max. | Units |
|--------------------------------|---------------------|------|------|------|-------|
| Specification                  | All output types    | -40  |      | 60   | °C    |
| Storage                        |                     | -55  |      | 130  |       |
| Case Temperature above ambient | All output types    |      |      | 33   |       |
| Cooling                        | Free air convection |      |      |      |       |

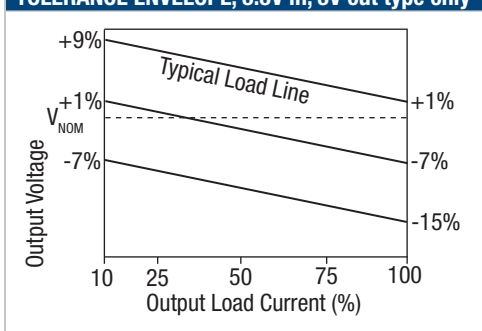
**TEMPERATURE DERATING GRAPH**



**TOLERANCE ENVELOPE**



**TOLERANCE ENVELOPE, 3.3V in, 3V out type only**



**TECHNICAL NOTES**

**ISOLATION VOLTAGE**

'Hi Pot Test', 'Flash Tested', 'Withstand Voltage', 'Proof Voltage', 'Dielectric Withstand Voltage' & 'Isolation Test Voltage' are all terms that relate to the same thing, a test voltage, applied for a specified time, across a component designed to provide electrical isolation, to verify the integrity of that isolation.

Murata Power Solutions NMJ series of DC/DC converters are all 100% production tested at their stated isolation voltage. This is 5.2kVDC for 1 second.

A question commonly asked is, "What is the continuous voltage that can be applied across the part in normal operation?"

The NMJ series has been recognized by Underwriters Laboratory to 300Vrms for Supplementary Insulation and 150Vrms for Reinforced Insulation.

**REPEATED HIGH-VOLTAGE ISOLATION TESTING**

It is well known that repeated high-voltage isolation testing of a barrier component can actually degrade isolation capability, to a lesser or greater degree depending on materials, construction and environment. We therefore strongly advise against repeated high voltage isolation testing, but if it is absolutely required, that the voltage be reduced by 20% from specified test voltage.

**SAFETY APPROVAL**

The NMJ series has been recognised by Underwriters Laboratory (UL) to UL 60950 for supplementary insulation up to 300Vrms and reinforced insulation up to 150Vrms at a maximum ambient temperature of 60°C. File number E179522 applies.

**RoHS COMPLIANCE INFORMATION**



This series is compatible with RoHS soldering systems with a peak wave solder temperature of 300°C for 10 seconds. The pin termination finish on this product series is Tin Plate, Hot Dipped over Matte Tin with Nickel Preplate. The series is backward compatible with Sn/Pb soldering systems.

For further information, please visit [www.murata-ps.com/rohs](http://www.murata-ps.com/rohs)

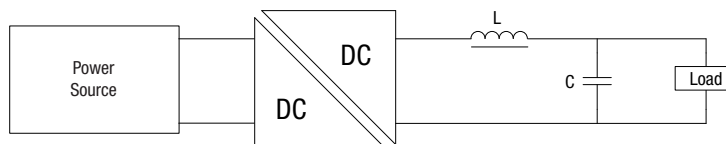
**OUTPUT RIPPLE REDUCTION**

By using the values of inductance and capacitance stated, the output ripple at the rated load is lowered to 5mV p-p max.

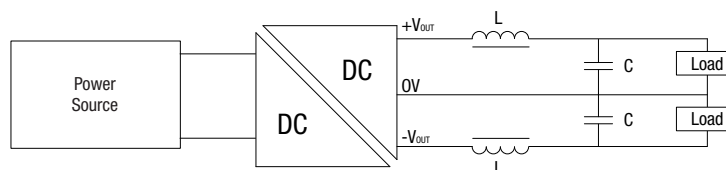
**Component selection**

**Capacitor:** It is required that the ESR (Equivalent Series Resistance) should be as low as possible, ceramic types are recommended. The voltage rating should be at least twice (except for 15V output), the rated output voltage of the DC/DC converter.

**Inductor:** The rated current of the inductor should not be less than that of the output of the DC/DC converter. At the rated current, the DC resistance of the inductor should be such that the voltage drop across the inductor is <2% of the rated voltage of the DC/DC converter. The SRF (Self Resonant Frequency) should be >20MHz.



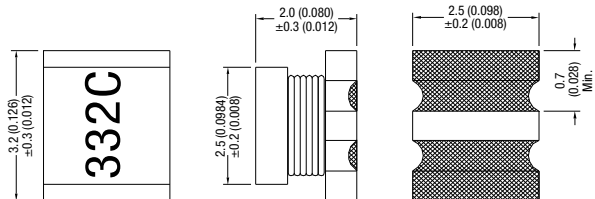
|                          | Inductor   |              |                 | Capacitor  |      |             |
|--------------------------|------------|--------------|-----------------|------------|------|-------------|
|                          | L, $\mu$ H | Through Hole | SMD             | C, $\mu$ F | Size | V rating, V |
| 3.3V single output types |            |              | Consult Factory |            |      |             |
| 5V single output types   |            |              | Consult Factory |            |      |             |
| 9V single output types   |            |              | Consult Factory |            |      |             |
| 12V single output types  |            |              | Consult Factory |            |      |             |
| 15V single output types  |            |              | Consult Factory |            |      |             |



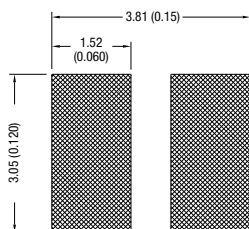
|                       | Inductor   |              |                 | Capacitor  |      |             |
|-----------------------|------------|--------------|-----------------|------------|------|-------------|
|                       | L, $\mu$ H | Through Hole | SMD             | C, $\mu$ F | Size | V rating, V |
| 5V dual output types  | 22         | 22R223C      | 82223C          | 4.70       | 1206 | 10          |
| 9V dual output types  |            |              | Consult Factory |            |      |             |
| 12V dual output types | 68         | 22R224C      | 82224C          | 0.47       | 0805 | 25          |
| 15V dual output types |            |              | Consult Factory |            |      |             |

**OUTPUT RIPPLE REDUCTION (continued)**

**SMD option 8200 Inductor Series Mechanical Dimensions**



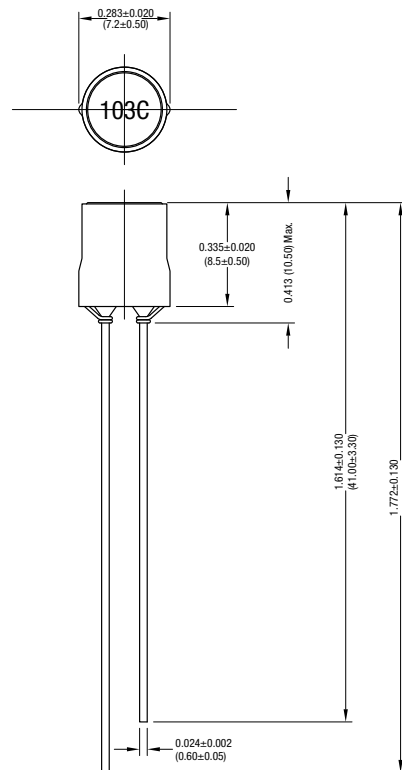
**Recommended pad layout**



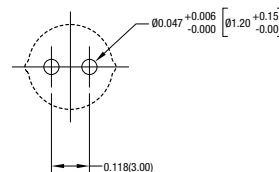
All dimensions in inches (mm).

For more information please visit [www.murata-ps.com](http://www.murata-ps.com)

**Through hole option 2200R Inductor Series Mechanical Dimensions**



**Recommended footprint**



All dimensions in inches (mm).

**CHARACTERISATION TEST METHODS**

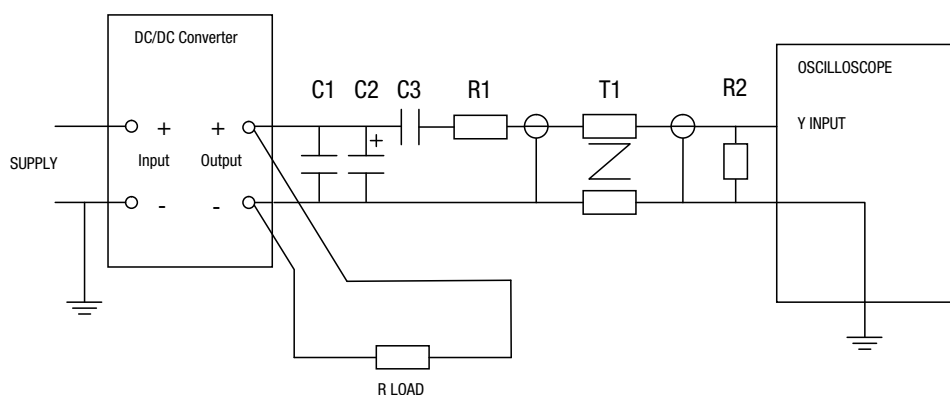
**Ripple & Noise Characterisation Method**

Ripple and noise measurements are performed with the following test configuration.

|       |  |
|-------|--|
| C1    | 1uF X7R multilayer ceramic capacitor, voltage rating to be a minimum of 3 times the output voltage of the DC/DC converter                                |
| C2    | 10uF tantalum capacitor, voltage rating to be a minimum of 1.5 times the output voltage of the DC/DC converter with an ESR of less than 100mΩ at 100 kHz |
| C3    | 100nF multilayer ceramic capacitor, general purpose  |
| R1    | 450Ω resistor, carbon film, +/-1% tolerance  |
| R2    | 50Ω BNC termination  |
| T1    | 3T of the coax cable through a ferrite toroid  |
| RLOAD | Resistive load to the maximum power rating of the DC/DC converter. Connections should be made via twisted wires  |
| R3    | 50Ω resistor, carbon film, +/-1%   |

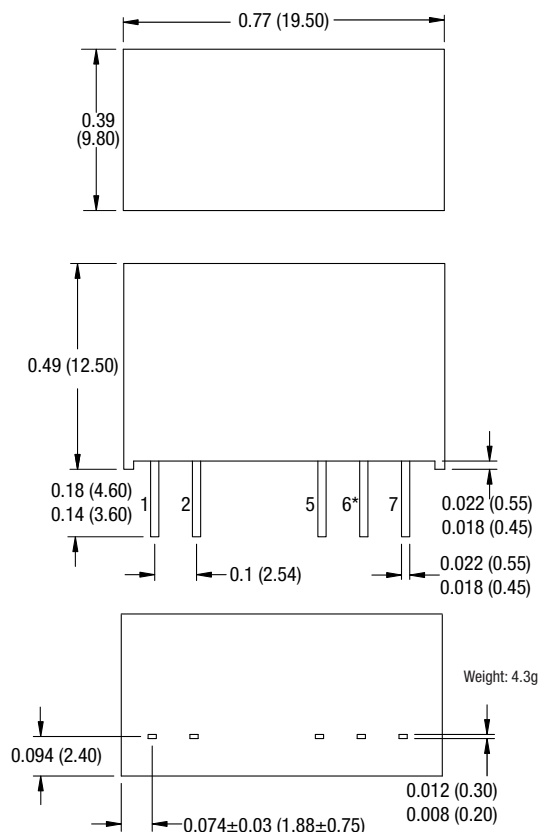
Measured values are multiplied by 10 to obtain the specified values.

**Differential Mode Noise Test Schematic**



**PACKAGE SPECIFICATIONS**

**MECHANICAL DIMENSIONS**



All dimensions in inches ±0.01 (mm ±0.25mm). All pins on a 0.1 (2.54) pitch and within ±0.01 (0.25) of true position.  
 \* Pin not fitted on single output variants.

**PIN CONNECTIONS**

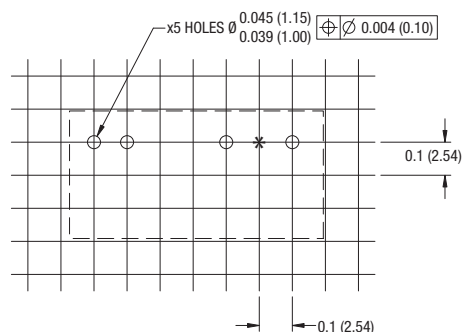
**Dual Output**

| Pin | Function |
|-----|----------|
| 1   | +VIN     |
| 2   | -VIN     |
| 5   | -VOUT    |
| 6   | OV       |
| 7   | +VOUT    |

**Single Output**

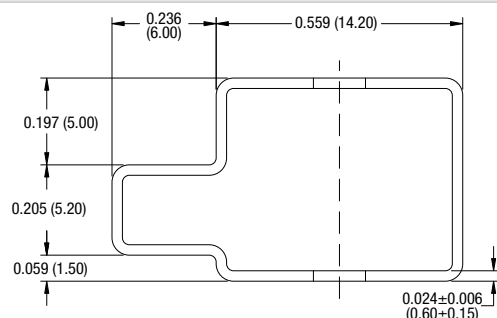
| Pin | Function |
|-----|----------|
| 1   | +VIN     |
| 2   | -VIN     |
| 5   | -VOUT    |
| 7   | +VOUT    |

**RECOMMENDED FOOTPRINT DETAILS**



\* Hole not required for single output variants.  
 All dimensions in inches ±0.01 (mm ±0.25mm).

**TUBE OUTLINE DIMENSIONS**



Unless otherwise stated all dimensions in inches ±0.02 (mm ±0.5mm).  
 Tube length : 20.669±0.079 (525mm±2mm).

Tube Quantity : 25