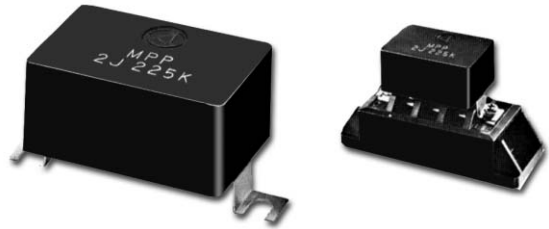


● CF99MPP



● CF78MPP



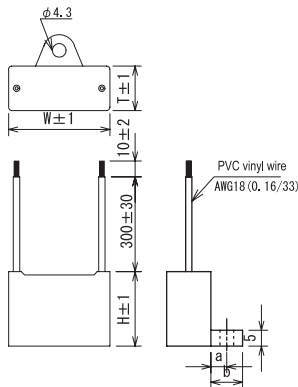
**Features**

- High current withstand capability.
- Low dissipation factor.

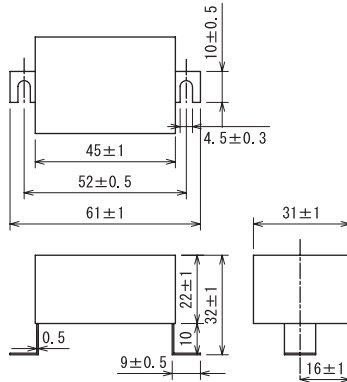
**Applications**

- High frequent circuit, Resonant circuit in high voltage, Snubber circuit and Protection of semiconductors,

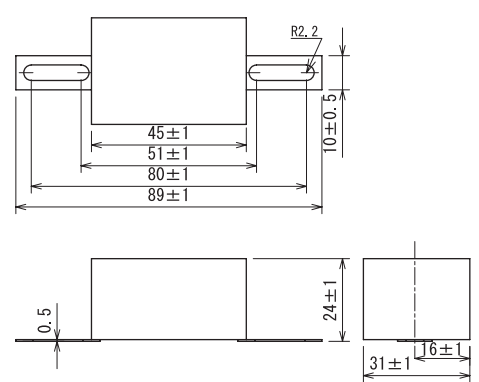
*Dimensions*



CF78MPP 2J225K-F

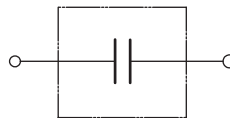


CF78MPP 2J225K-S



Unit: mm

*Circuit*



**Electrical Specifications**

Rated Voltage **630V<sub>DC</sub>**

Model Number	Capacitance $\mu\text{F} \pm 10\%$	Dimensions					Dissipation factor	Test voltage	Insulation resistance
		W	H	T	a	b			
CF99MPP474	0.47	32.0	23.5	14.0	5	10	0.001 at $1000 \pm 100\text{Hz}$	Line to Line 1100V <sub>DC</sub> (2~5sec)	Line to Line 10,000M $\Omega$ min  Line to Ground 100,000M $\Omega$ min (at 500V <sub>DC</sub> )
CF99MPP105	1.0	39.5	30.0	18.5					
CF99MPP155	1.5	39.0	30.0	18.5					
CF99MPP225	2.2	47.5	33.5	21.5					
CF99MPP335	3.3	59.0	35.0	23.0					
CF99MPP475	4.7	"	"	"					
CF99MPP685	6.8	"	42.0	30.0					
CF99MPP825	8.2	"	"	"	13	0.002 at $1000 \pm 100\text{Hz}$	Line to Ground 1500V <sub>rms</sub> 50/60Hz 60sec		
CF78MPP225	2.2	—	—	—				—	—

Operating Temperature: -40 ~ +85°C