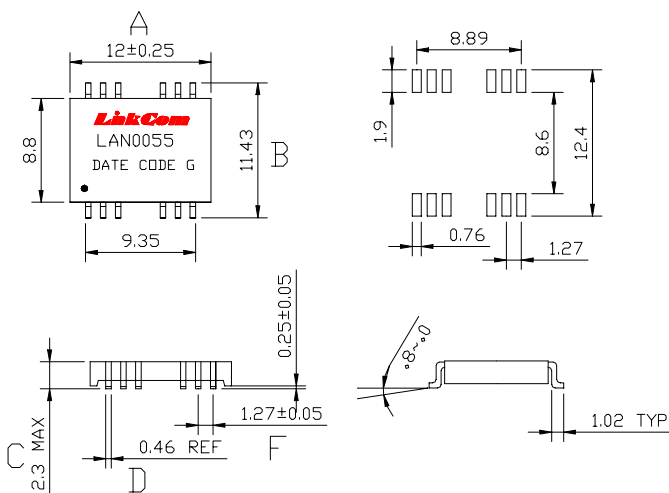


10/100BASE-Tx Magnetics Module

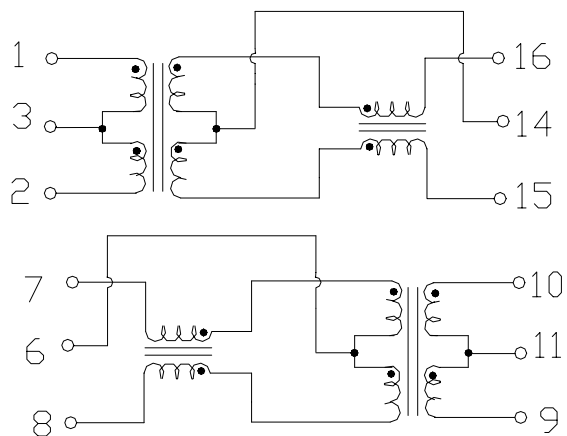
- Meets IEEE 802.3 standard
- RoHS Compliant
- Single port configuration
- Design for 100base-Tx transmission over UTP-5 cable
- Low profile packages for PC card and cardbus applications
- Operating Temperature: 0 ~70

Electrical Specification @25			
OCL:	(1-2)350uH Min. (10-9) 200uH Min. @100KHz/0.1V with 8mA DC Bias		
Hi-POT :	1500Vrms		
Turn Ratio:	1:1±3%		
D.C.R:	(1-2) 1.0 ohm Max. (10-9) 0.7 ohm Max. (16-15) 1.6 ohm Max.		
Insertion Loss	100MHz	1-100MHz	
	-1.2dB Max.	-1.0dB Max.	
Return Loss	30MHz	60MHz	80MHz
	-16dB Min.	-12dB Min.	-10dB Min.
C.M.R.R	30MHz	60MHz	80MHz
	-40dB Min.	-35dB Min.	-30dB Min.
Cross Talk	30MHz-60MHz		100MHz
	-40dB Min.		-35dB Min.

Dimensions



Schematic



Units: mm
Unless otherwise specified, all tolerances are ±0.25