

DC-AC INVERTER UNIT

PS-M05D05(S) (5 W DUAL OUTPUTS)

(STANDARD)

DESCRIPTION :

This DC/AC Inverter is developed for alternative Backlight Inverter to Endicot E-Serie. The Inverter has PCB mounting pins. The nominal input voltage is 5.0 Vdc regulated.

Please contact us for confirmation regarding compatibility with your display.

APPLICABLE LCD:

- Lamp Voltage 500 Vrms
- Lamp Current 2 x 5.0 mArms
- Lamp Start Up Voltage 1.500 Vrms (Vin : 5.0 Vdc)

FEATURES :

- min. 75% Efficiency
- Input Voltage, must be regulated
- Ext. PWM (TTL) Dimming Function 250 Hz
- RoHS compliant (S)



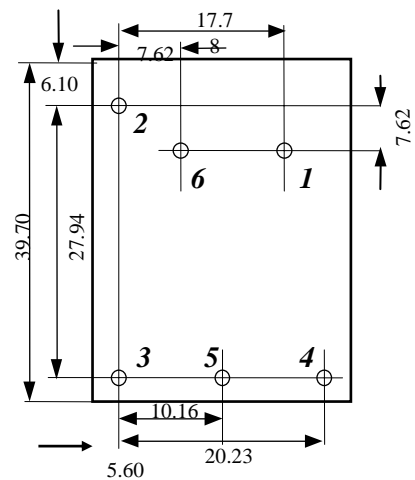
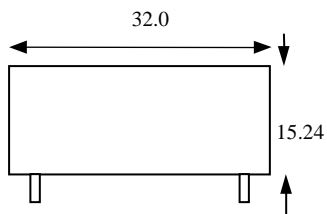
TEMPERATURE & HUMIDITY :

- Operating Temperature Range -10°C ~ +60°C
- Storage Temperature Range -20°C ~ +85°C
- Humidity 95 %RH max

DIMENSIONS : L 32 x 40 x

Bottom View

PCB mounting pins 0.64 square.
Unit : mm
Weight :12 (g) typ



Pin Terminal:

Pin No.	Symbols	Ratings
1	Vin	4.75 ~ 5.25 Vdc
2	GND	-
3	Vlow	(GND)
4	Vhigh1	500 Vrms (5.0 mArms)
5	Vhigh2	500 Vrms (5.0 mArms)
6	Ext. PWM	High Activ (250 Hz)

Power Systems – The Power Solution

Web: www.Power-Systems.de
Email: Info@Power-Systems.de

Address: Hauptstr. 48 ; 74360 Iilsfeld-Auenstein / Germany
Tel. : + 49 / 70 62 / 67 59 - 6
Fax: + 49 / 70 62 / 67 59 - 800

DC-AC INVERTER UNIT

PS-M05D05(S) (5 W DUAL OUTPUTS)

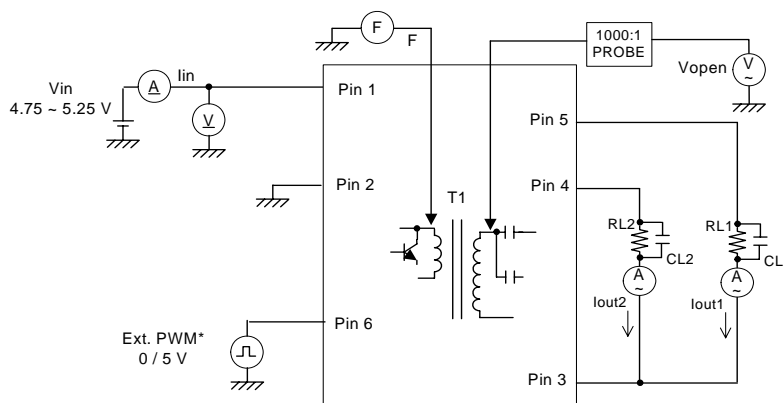
(STANDARD)

ELECTRICAL CHARACTERISTICS :

Parameters	Symbols	Conditions			Specification			Unit	Note
		Vin (V)	Ext. PWM (%)	Tu (°C)	Min.	Typ.	Max.		
Output Current	Iout	5±0.25	100	-10 ~ +60	4.0	5.0	6.0	mArms	
Output Current	Iout	5±0.12	10	-10 ~ +60	-	10	-	%	
Input Current	Iin	5±0.25	100	-10 ~ +60	-	0.4	-	A _{dc}	
Frequency	F	5±0.25	100	-10 ~ +60	27	32	37	kHz	
Open Circuit Voltage	Vopen	5±0.25	100	-10 ~ +60	-	1.500	-	V _{rms}	

- Note 1 : Please keep minimum of 2mm clearance (all directions) between inverter high voltage area as marked on mechanical drawing and any conductors.
- Note 2 : The external PWM frequency should be in a range of 100 ~ 500 Hz. For other frequency please request. The optimum is normally at 250 Hz, and minimizes the interference disturbances of the vertical sync. frequency.

TEST CIRCUIT :



*) Only active when Vrmt is 0 Vdc or floating

Power Systems – The Power Solution

Web: www.Power-Systems.de
 Email: Info@Power-Systems.de

Address: Hauptstr. 48 ; 74360 Ilsfeld-Auenstein / Germany
 Tel. : + 49 / 70 62 / 67 59 - 6
 Fax: + 49 / 70 62 / 67 59 - 800