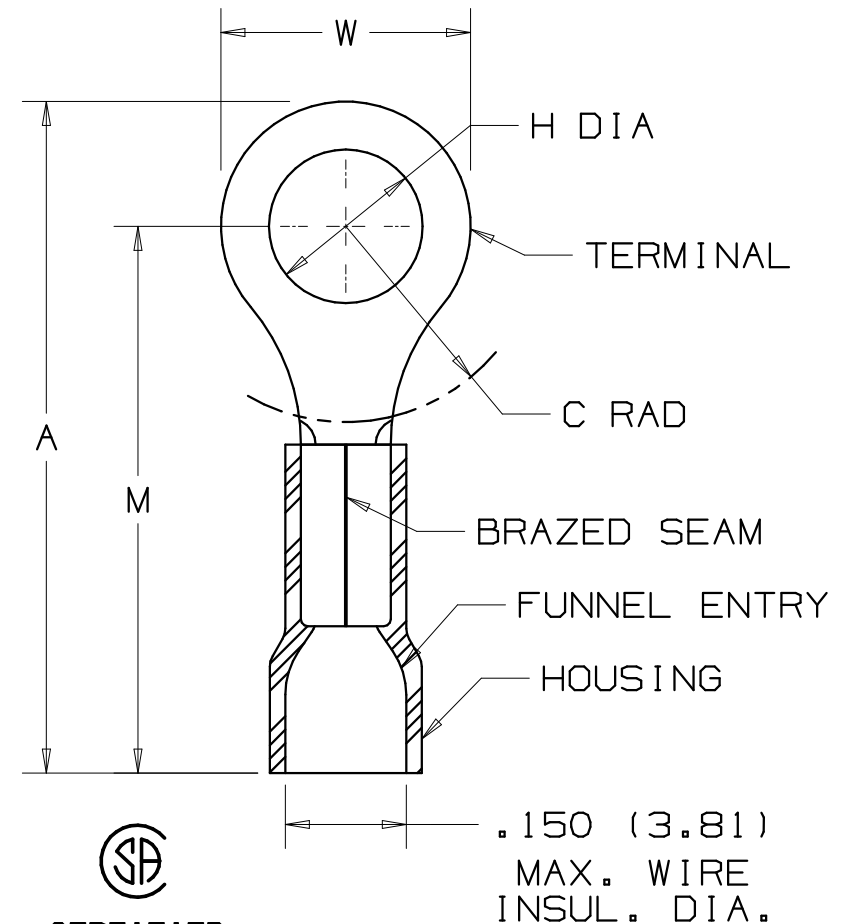


PANDUIT PART NUMBER		STUD SIZE	DIMENSIONS in.				
			A ±.03	W ±.010	C ±.02	M ±.03	H ±.010
PV18-4R	-CY -MY	#4	.84 (21.3)	.25 (6.4)	.22 (5.6)	.69 (17.5)	.12 (3.1)
PV18-6R	-CY -MY	#6	.86 (21.8)	.25 (6.4)	.22 (5.6)	.70 (17.8)	.15 (3.8)
PV18-8R	-CY -MY	#8	.91 (23.1)	.31 (7.9)	.26 (6.6)	.78 (19.8)	.17 (4.3)
PV18-10R	-CY -MY	#10	.94 (23.9)	.31 (7.9)	.27 (6.9)	.78 (19.8)	.20 (5.1)
PV18-14R	-CY -MY	1/4"	1.11 (28.2)	.46 (11.7)	.37 (9.4)	.88 (22.4)	.27 (6.9)
PV18-56R	-CY -MY	5/16"	1.11 (28.2)	.46 (11.7)	.39 (9.9)	.88 (22.4)	.34 (8.6)
PV18-38R	-CY -MY	3/8"	1.19 (30.2)	.53 (13.5)	.42 (10.7)	.96 (24.4)	.40 (10.2)
PV18-12R	-CY	1/2"	1.42 (36.1)	.72 (18.3)	.53 (13.5)	1.06 (26.9)	.52 (13.2)

Panduit part numbers shown on this drawing meet the material requirements of RoHS (European Directive 2002/95/EC on the Restriction of Hazardous Substances) as proposed by the Technical Adaptation Committee.



Notes:

1. UL LISTED & CSA CERTIFIED FOR:

- A. 600 max voltage rating (1000 V. MAX. IN SIGNS, FIXTURES AND LUMINAIRES.)
- B. #22-16 AWG Solid or stranded copper wire range, 221°F (105°C) max temp rating with CT-500,CT-550,CT-1550 and,CT-1551 installation tools.
- C. #22-18 AWG Solid or stranded copper wire range, 167°F (75°C) max temp rating with CT-100 installation tool.

2. Wire strip length: 5/16^{+1/32}₋₀ (7.9^{+0.8}₋₀)

3. Package Quantity (Suffix to basic part no.):

- A. Standard -CY=100 B. Bulk -MY=1000

4. Material:

- A. Stamping: .032 (.81) thick tin plated copper
- B. Housing: Red vinyl

5. Dimensions in brackets are in millimeters



LISTED
587H
E52164



CERTIFIED
LR31212

.150 (3.81)
MAX. WIRE
INSUL. DIA.

A41268_10

10	3/06	DAW	DAW	REMOVED -C & -M, ADDED -CY AND RoHS COMPLIANCY NOTE	TRO0093	LCA	TRO	<p>TINLEY PARK, ILLINOIS</p> <p>#22-18 BARREL FUNNELED VINYL INSULATED RING TONGUE, .150 (3.81) MAX WIRE INSULATION DIAMETER</p>
09	5/05	JHNU		ADDED PACKAGING CODE "MY" TO DRAWING.				
08	5/02	SRB	SKB	ADDED PV18-12R AND REVISED FUNNEL ENTRY	10231	LA	TRO	
07	4/01	SAB		ADDED PACKAGING CODES AND REMOVED PV18-6RN	10171		TRO	
REV	DATE	BY	CHK	DESCRIPTION	ECN #	CUST	PM	DRAWN BY: DAW CHK'D: SCALE: NONE DRAWING NO.: A41268