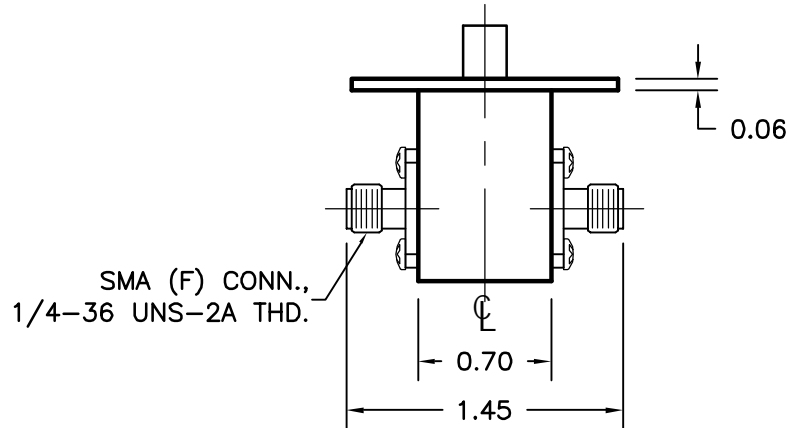
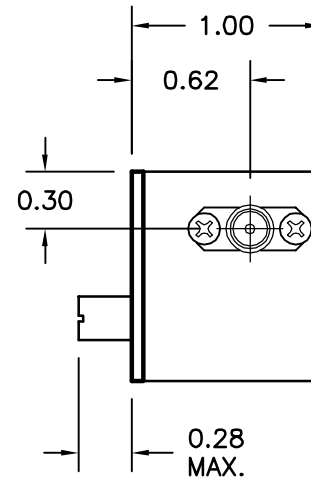
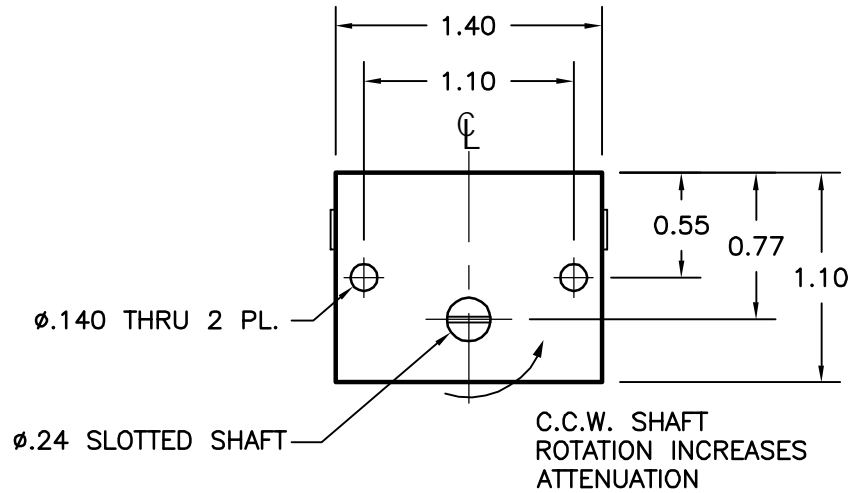


REV. A	DATE 8/29/02	INITIAL RELEASE	APPROVED
REV. B	DATE 04/19/05	DIMS, NOTE UPDATED	APPROVED



MATERIAL	TREATMENT	DRAWN R. LYNCH	DATE 8/29/02
FINISH ATM STD. GRAY	MOD NO. AF03X-XX	CHECKED	DATE
OUTLINE, AF03X-XX VARIABLE ATTENUATOR		APPROVED	DATE
		ADVANCED TECHNICAL MATERIALS, INC. 49 RIDER AVE., PATCHOGUE N.Y. 11772 TEL: (631) 289-0386 FAX: (631) 289-0358 http://www.atmmicrowave.com	
UNLESS OTHERWISE NOTED DIMENSIONS ARE IN INCHES TOLERANCES ARE:		FRACTIONS $\pm 1/64$ DECIMALS ± 0.03 ANGLES $\pm 1/2^\circ$	SHEET. 1/1
PROPRIETARY NOTICE: THE INFORMATION IN THIS DRAWING IS PROPRIETARY AND SHALL NOT BE USED OR DISCLOSED WITHOUT THE PRIOR WRITTEN CONSENT OF ATM, INC.		SCALE 1 : 1	DWG. NO. 4317W REV. B