



# PRODUCT SPECIFICATION

**Model No : CST-4302M9/4301M9**

## Descriptions:

- 0.4 Inch Triad Digits Display
- CST-4302: Common Anode
- CST-4301: Common Cathode
- Emitting Color: Super Bright Green



CUSTOMER APPROVED SIGNATURES	APPROVED BY	CHECKED BY	PREPARED BY

**CHINA SEMICONDUCTOR CORPORATION**

Address:2FL. NO.909,Chung-Cheng Road,  
Chung-Ho City Taipei Hsien,Taiwan.

Tel:886-2-2223-9696  
Fax:886-2-2223-9377

**OPTO PLUS TECHNOLOGIES CO.,LTD**

Address:696 Shun jiang Rd.,Ji Shan St.Shaoxing,  
ZheJiang,China

Tel:86-0575-88623888  
Fax:86-0575-88623112



**Model No : CST-4302/4301M9**

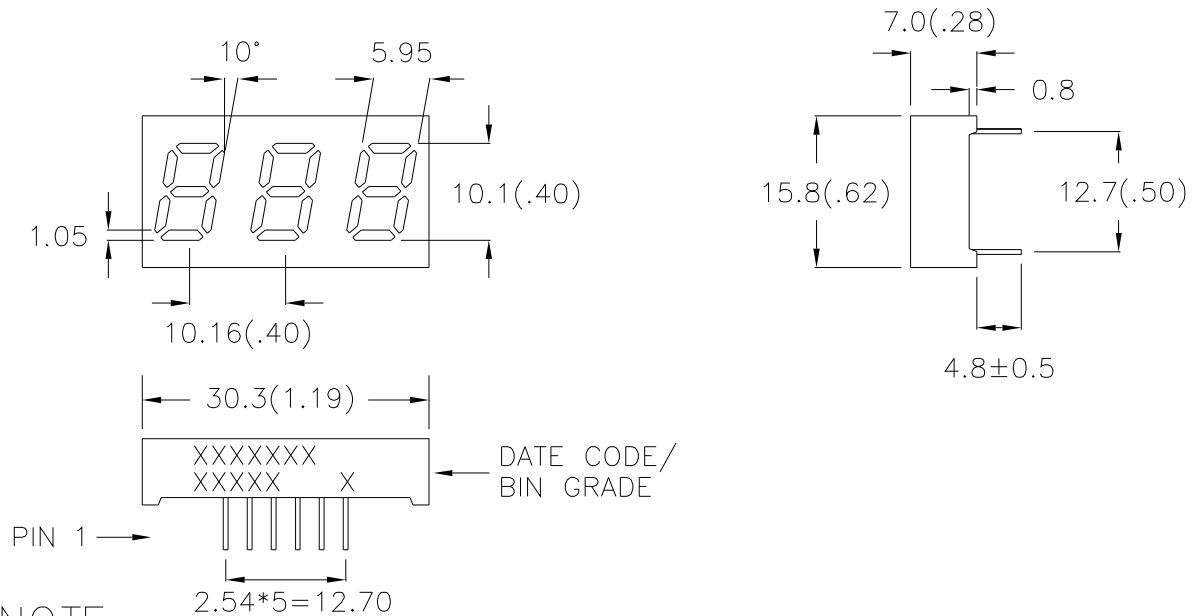
**Features -**

1. 0.4 inch (10.1mm) dight height.
2. Case mold type.
3. RoHS compliant.
4. Low power consumption.
5. Easy mounting on P.C. board or socket.

**Device Selection Guide -**

Part No.	Chip		Description
	Material	Emitted Color	
CST-4302M9	AlGaInP	Super Bright Yellow	Common Anode
CST-4301M9		Super Bright Green	Common Cathode

**Package Dimensions -**



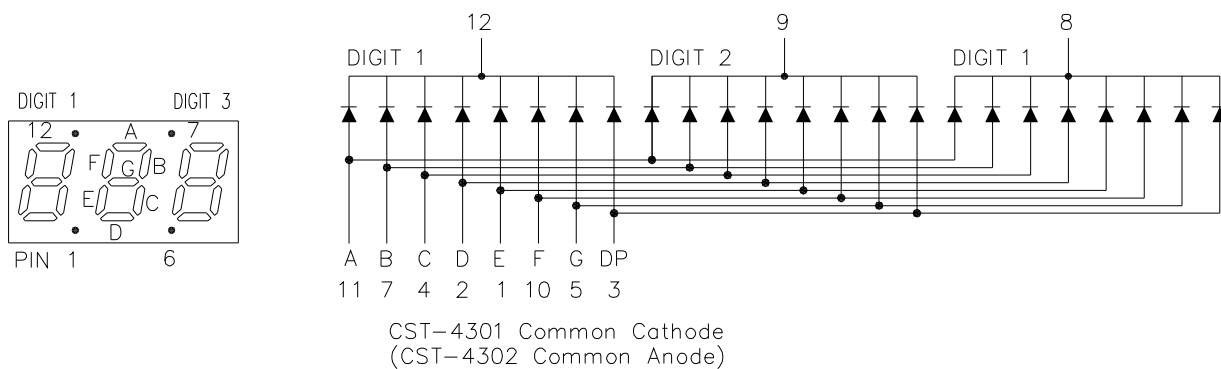
**NOTE:**

1. All pins are  $\varnothing 0.5 (.02)$ .
2. Dimension in millimeter (inch), and tolerance is  $\pm 0.25 (.01)$  unless otherwise noted.



**Model No : CST-4302/4301M9**

**Internal Circuit Diagrams -**



**Absolute Maximum Rating -**

(Ta=25°C)

Parameter	Symbol	Rating	Unit
Power Dissipation Per Dice	<b>PAD</b>	70	mW
Continuous Forward Current Per Dice	<b>IAF</b>	25	mA
Peak Current Per Dice(duty cycle 1/10, 1kHz)	<b>IPF</b>	90	mA
Derating Linear From 25°C Per Dice	-	0.33	mA/°C
Reverse Voltage Per Dice	<b>VR</b>	5	V
Operating Temp.	<b>Topr</b>	-35 ~ +85	°C
Storage Temp.	<b>Tstg</b>	-35 ~ +85	°C
Solder temperature 1/16 inch below seating plane for 3 seconds at 260°C			



Model No : CST-4302/4301M9

■ Electro-optical Characteristics -

(Ta=25°C)

Parameter	Symbol	Min.	Typ.	Max.	Unit	Condition
Forward Voltage Per Segment	$V_F$	-	2.1	2.8	V	$I_F=20mA$
Luminous Intensity Per Segment	$I_v$	-	9	-	mcd	$I_F=10mA$
Peak Emission Wavelength	$\lambda_p$	-	572	-	nm	$I_F=20mA$
Dominant Wavelength	$\lambda_d$	-	570	-	nm	$I_F=20mA$
Spectrum Radiation Bandwidth	$\Delta \lambda$	-	20	-	nm	$I_F=20mA$
Reverse Current	$I_R$	-	-	100	$\mu A$	$V_R=5V$
Luminous Intensity Matching Ratio	<b>IV-m</b>	-	-	2:1	-	$I_F=10mA$



**Model No : CST-4302/4301M9**

**Typical Electrical / Optical Characteristics Curves -**

**(Ta = 25°C Unless Otherwise Noted)**

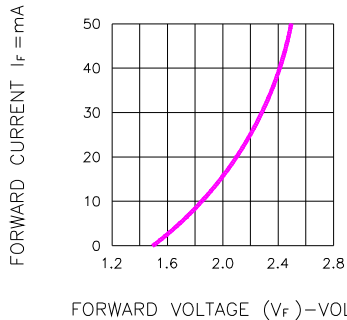


Fig.1 FORWARD CURRENT VS. FORWARD VOLTAGE

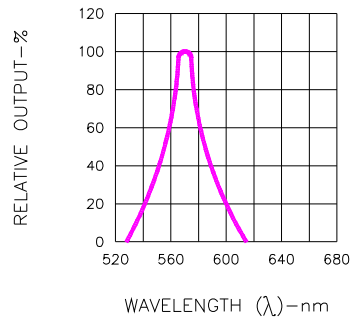


Fig.2 SPECTRAL RESPONSE

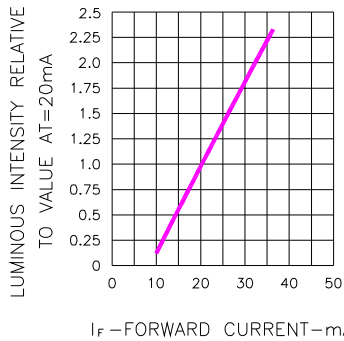


Fig.3 RELATIVE LUMINOUS INTENSITY VS. FORWARD CURRENT

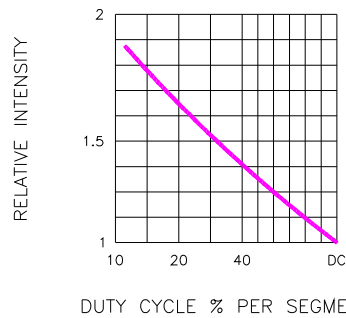


Fig.5 LUMINOUS INTENSITY VS. DUTY CYCLE  
(AVERAGE I<sub>f</sub> = 10mA)

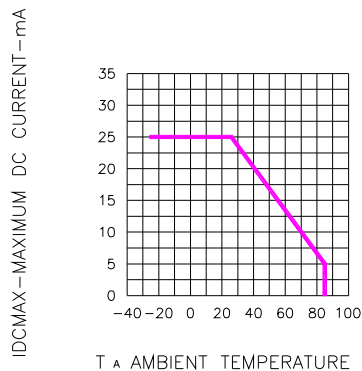


Fig.4 MAXIMUM ALLOWABLE DC CURRENT PER SEGMENT VS. A FUNCTION OF AMBIENT TEMPERATURE

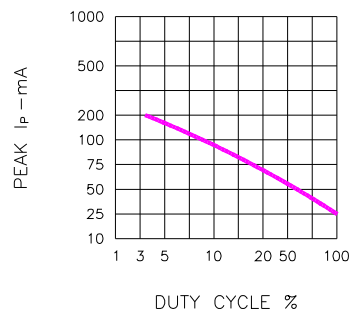
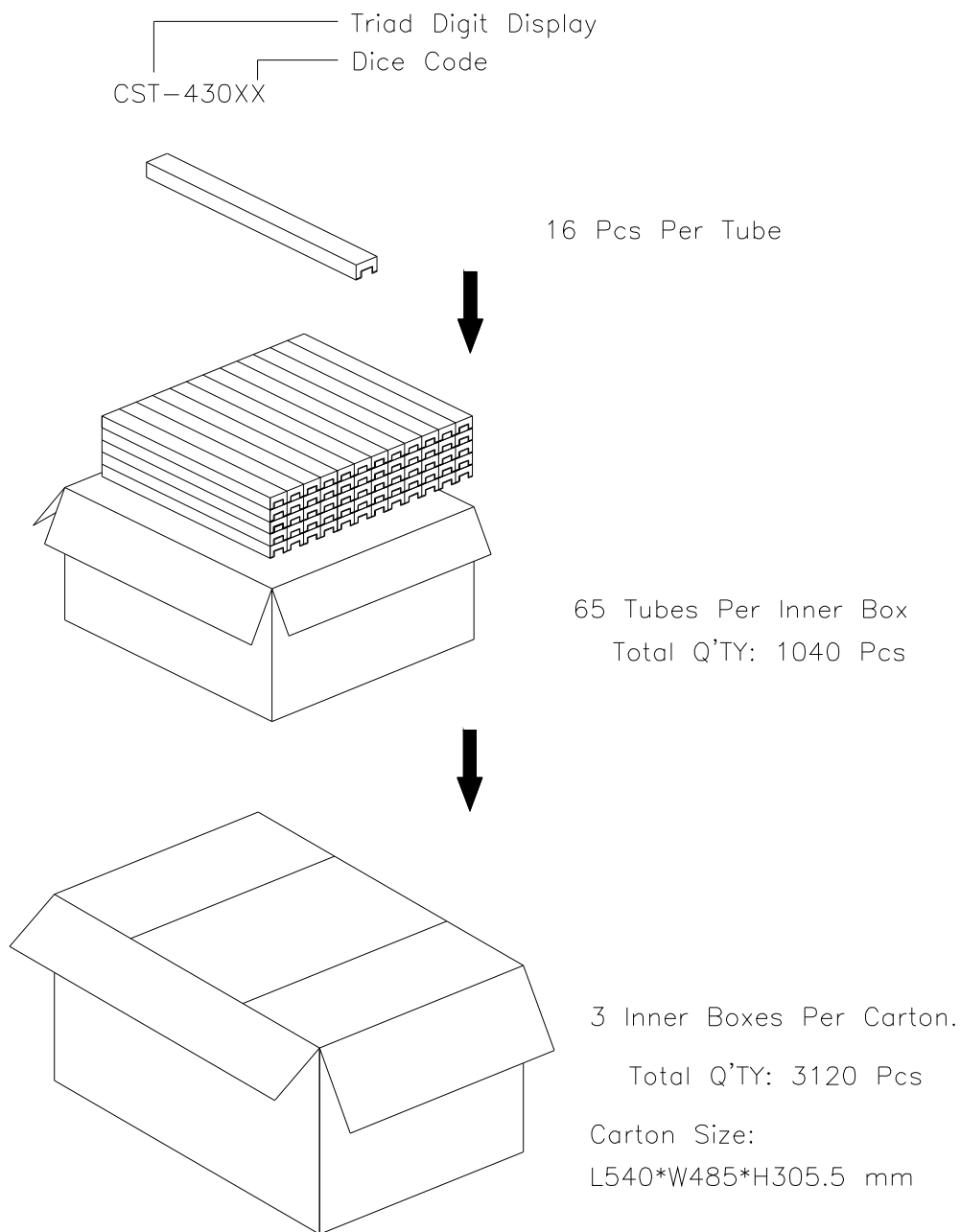


Fig.6 MAX PEAK CURRENT VS. DUTY CYCLE  
(REFRESH RATE f=1 KHz)



Model No : CST-4302/4301M9

■ Package Dimensions



Note: The specifications are subject to change without notice. Please contact us for updated information.