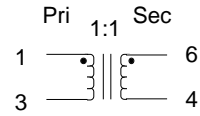


10 Base-T Isolation Transformer

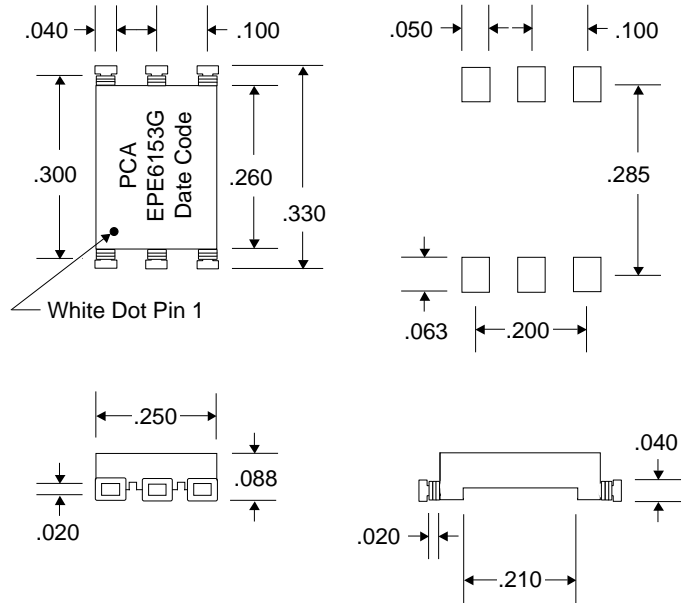
PCA Part Number **EPE6153G**

Electrical Specifications		
Test	Specification	Equipment
Primary Inductance	320 μ H, Min. @ 50 KHz, 0.1 Vrms	HP4275A
Rise Time	3.0 nS Max.	TEK2465B HP8007B
Interwdg Capacitance	12 pF Max.	HP4275A
Primary ET	2.5 V μ S Min.	Tek2465B HP8007B
Leakage Inductance	.15 μ H Max.	HP4275A
Primary DCR	0.3 Max.	Nat'l 2941A
Secondary DCR	0.3 Max.	Nat'l 2941A
Hipot	1 KVrms	ARI4045AI
Pulse Width		Tek2465B HP8007B
Turns Ratio	1:1	
Polarity	1°, 6°	
Bandwidth (for -3 dB loss)	Low Freq. 0.05 MHz High Freq. 110 Mhz	HP4195A
*Insulation Rating		
*Oper. Ambient Temp.		

Schematic



Package



Notes :

*Unless otherwise specified, all tests to be conducted
@ 25°C and RH of 93% Max.

DSE6153 Rev. - 6/3/96

Unless Otherwise Noted Dimensions in Inches

Tolerances:
Fractional = $\pm 1/32$
.XX = $\pm .030$.XXX = $\pm .010$



QAF-CSO5a Rev. B 4/25/96

16799 SCHOENBORN ST.
NORTH HILLS, CA 91343
TEL: (818) 892-0761
FAX: (818) 894-5791