

SURFACE MOUNT DRUM CORE INDUCTOR SIZE 3

Electrical Specifications at 25°C.

Part Number	L ¹ ±20% (μH)	I ² _{SAT} (Amps)	DCR ±15% (Ω)	SRF Typ. (MHz)
L-19530	1.0	9.0	.009	83.7
L-19531	1.5	8.0	.010	67.5
L-19532	2.2	7.0	.012	58.0
L-19533	3.3	6.4	.015	45.4
L-19534	4.7	5.4	.018	39.3
L-19535	6.8	4.6	.027	30.8
L-19536	10	3.8	.038	24.2
L-19537	15	3.0	.046	18.2
L-19538	22	2.6	.085	17.0
L-19539	33	2.0	.100	13.9
L-19540	47	1.6	.140	10.5
L-19541	68	1.4	.200	9.30
L-19542	100	1.2	.280	7.00
L-19543	150	1.0	.440	5.30
L-19544	220	0.8	.580	4.40
L-19545	330	0.6	1.02	3.00
L-19546	470	0.5	1.27	2.50
L-19547	680	0.4	2.00	2.00
L-19548	1000	0.3	3.00	1.30

Our surface mount drum core inductors are designed for small board spaces, low cost and high performance.

High current per volume.

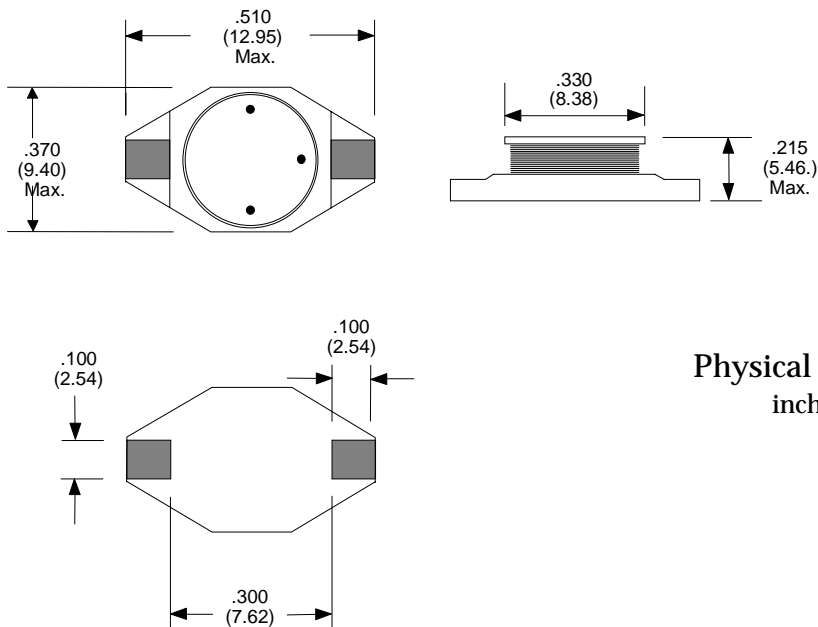
Reflow compatible.

Flat top for pick and place.

Packaged in Tape and Reel
(Minimum order restrictions may apply)

Notes:

1. Inductance tested at 100 mV_{RMS} and 100 kHz.
2. Current for 10% drop in Inductance typical.



Physical Dimensions
inches (mm)

SMTDRUM3