

For EMI Filtering and ESD Protection.

FEATURES

- EMI/RFI filtering.
- ESD Protection to IEC 61000-4-2 Level 4.
- Low insertion loss.
- Good attenuation of high frequency signals.
- Low clamping voltage.
- Low operating and leakage current.

APPLICATIONS

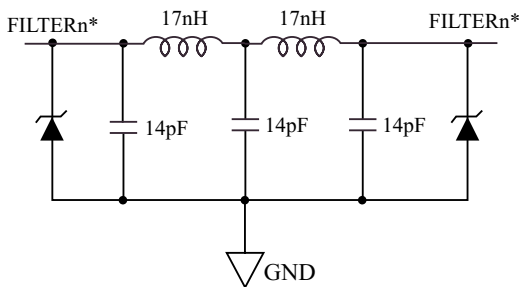
- Cell phone handsets.
- RF communications equipment.

MAXIMUM RATING (Ta=25 °C)

CHARACTERISTIC	SYMBOL	RATING	UNIT
Power Dissipation	*P _D	500	mW
Junction Temperature	T _j	150	°C
Storage Temperature	T _{stg}	-55 ~ 150	°C

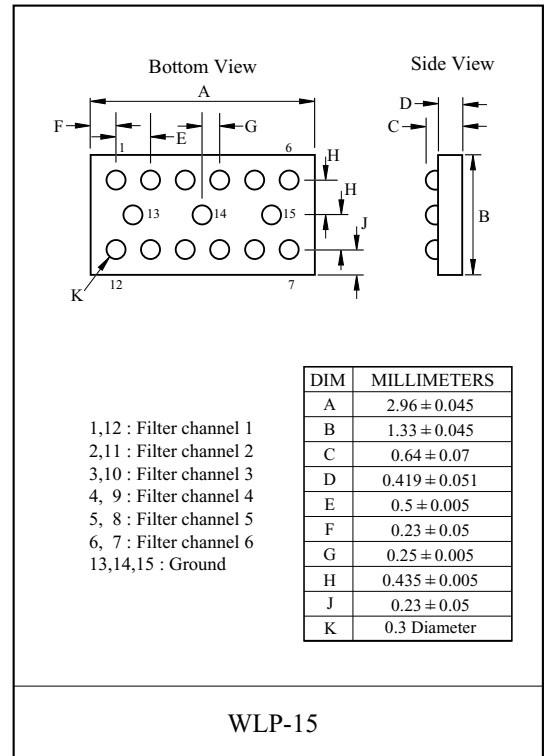
* Total Package Power Dissipation

EQUIVALENT CIRCUIT



ELECTRICAL CHARACTERISTICS (Ta=25 °C)

CHARACTERISTIC	SYMBOL	TEST CONDITION	MIN.	TYP.	MAX.	UNIT
Reverse Stand-Off Voltage	V _{RWM}	-	-	-	5	V
Reverse Breakdown Voltage	V _{BR}	I _T =1mA	6	-	-	V
Reverse Leakage Current	I _R	V _{RWM} =3V	-	-	0.1	μA
Cutoff Frequency	f _{3dB}	V _R =0V, Z _{SOURCE} =50 Ω, Z _{LOAD} =50 Ω	-	140	-	MHz
Inductance	L	Between Input and Output	-	17	-	nH
Capacitance	C	V _R =2.5V, Between I/O Pins and GND	-	42	-	pF



MARKING

