

KR Electronics

General Description

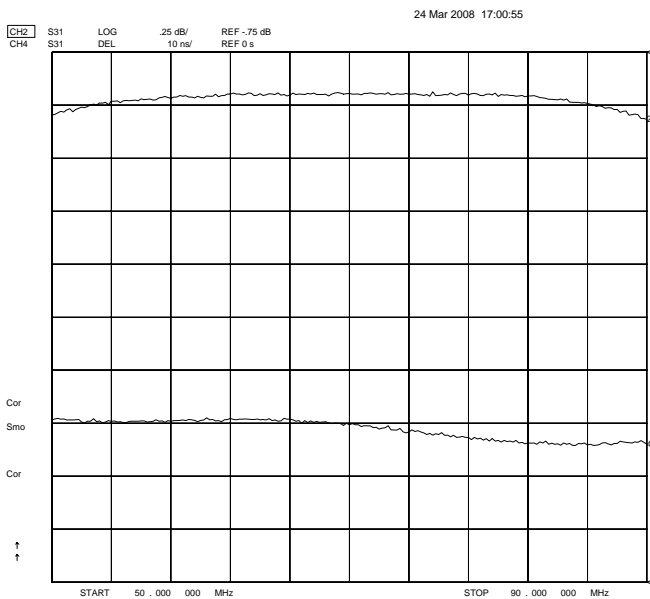
KR 2818 is a 70 MHz bandpass filter. The filter has a minimum 0.25 dB bandwidth of 40 MHz. Other passband frequencies are available. Please consult the factory.

Features

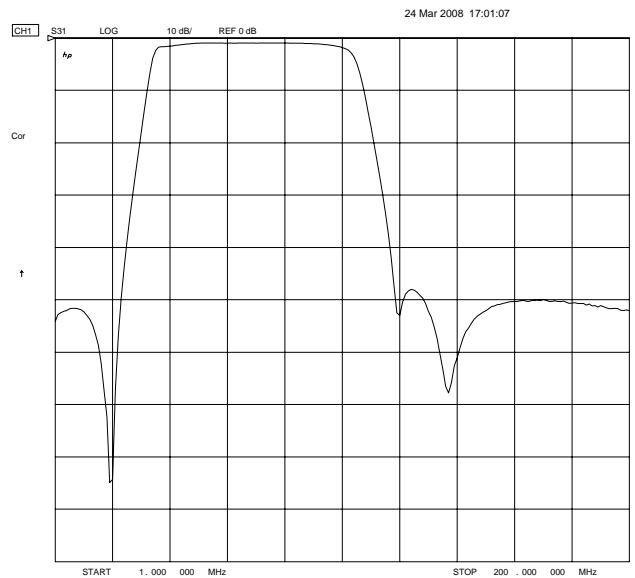
- 70 MHz Center Frequency
- 40 MHz 0.25 Bandwidth
- SMA Connectors
- Also available in surface mount
- 50 Ω Source and Load

Typical Performance

Passband Amplitude & Group Delay (0.5 dB/div and 10 nsec/div)



Overall Response (10 dB/div)



KR Electronics, Inc.
91 Avenel Street
Avenel, NJ 07001

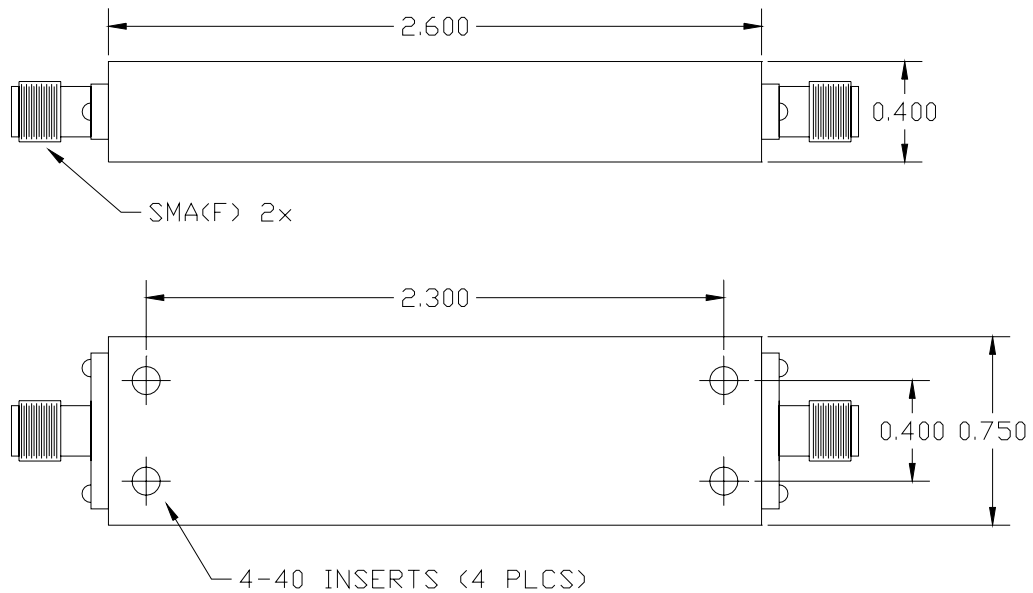
Web www.krfilters.com
Email sales@krfilters.com
Phone (732) 636-1900
Fax (732) 636-1982

KR Electronics 2818

Specifications

Parameter	Specification
Filter type	Bandpass
Center Frequency	70 MHz
Insertion Loss	< 2 dB (1 dB typical)
Attenuation at 50 MHz	< 0.25 dB
Attenuation at 90 MHz	< 0.25 dB
Attenuation at 21 MHz	> 35 dB
Attenuation at 118 MHz	> 35 dB
Source and Load	50 Ω

Physical Dimensions



Dimensions in inches
 Metal Case
 Also available in surface mount package