

# DC-AC INVERTER UNIT

**CXA-L0612A SERIES (5.0W SINGLE OUTPUT WITH DIMMING FUNCTION) (PRELIMINARY INFORMATION)**

**DESCRIPTION :**

This DC to AC Inverter was developed for many other low LCD Backlight power supply as low profile applications, either for LCD Monitor or Industrial PC.

- Applicable lcd; 10 to 15 inches single lamp type
- 6 to 8 inches single L-shape lamp type
- Lamp Voltage 600V
- Lamp Current 6mA
- Lamp Start Up Voltage 1800Vrms (Vin : 12V)



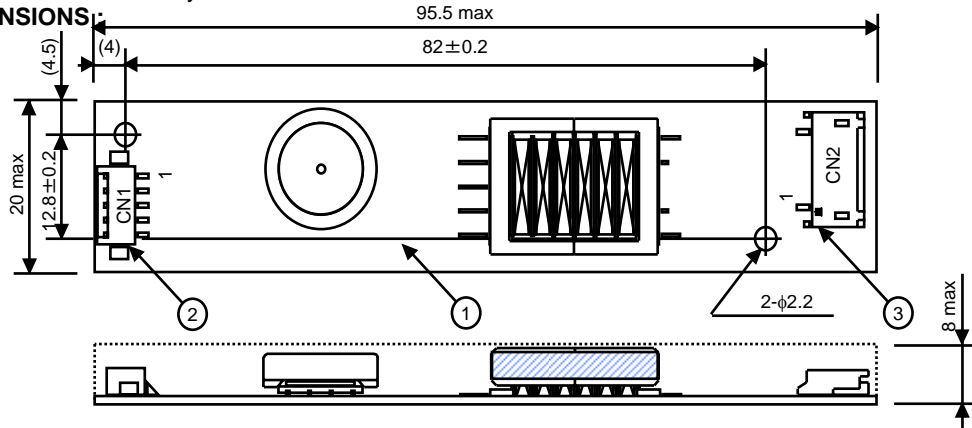
**FEATURES :**

- Current Feedback Circuit
- High Efficiency
- Low noise with voltage resonant circuit
- Regulated output current

**TEMPERATURE & HUMDITY :**

- Operating Temperature Range -10 ° C ~ +60° C
- Storage Temperature Range -30 ° C ~ +85° C
- Humidity 95 %RH max

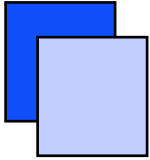
**DIMENSIONS :**



Unit : mm  
Weight : 14.5 (g) typ.

No.	Part Discription	Qty.	Note	Item
1	PWB	1	UL94V-0 t=1mm	
2	Connect	1	53261-0510 (Molex)	
3	Connect	1	SM02(8.0)B-BHS (JST)	CXA-L0612A-VJR, CXA-L0612A-VJL

CN1 : 53261-0510 (Molex)			CXA-L0612A-VJL		
Pin	Symbol	Note	CN2 : SM02(8.0)B-BHS (JST)		
			Pin	Symbol	Note
CN1-1	Vin	9.6 ~ 14.4 Vdc	CN2-1	Vhigh	600Vrms (3~6mArms)
CN1-2	GND	0 Vdc	CN2-2	N.C.	
CN1-3	Vrmt	0 / 5~14.4 Vdc (H activ)	CN2-3	Vlow	(2V)
CN1-4	Vbr	0 ~3 Vdc			
CN1-5	N.C.				

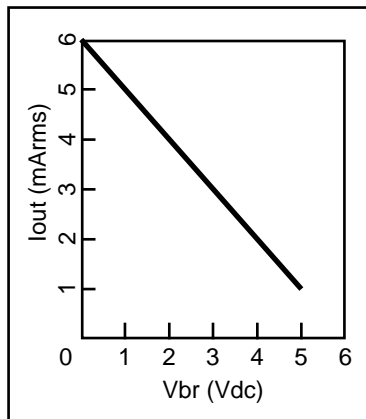


# DC-AC INVERTER UNIT

**CXA-L0612A SERIES (5.0W SINGLE OUTPUT WITH DIMMING FUNCTION) (PRELIMINARY INFORMATION)**

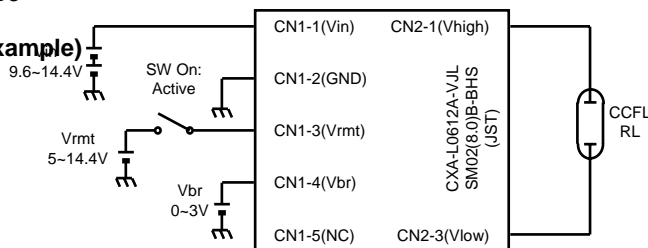
**ELECTRICAL CHARACTERISTICS :**

Parameters	Symbol	Conditions				Specifications			Unit	Note
		Vin (V)	Vbr (V)	Ta (°C)	RL (kΩ)	min.	typ.	max.		
Output Current	Iout	9.6 ~ 14.4	0	-10 ~ 60	90 ~ 110	5.2	6.0	6.8	mA <sub>rms</sub>	Max. Brightness
		12	3	23±5	100	5.4	6.0	6.6		Min. Brightness
Input Current	Iin				90 ~ 110	-	0.4	0.5	Adc	
Frequency	FL	9.6 ~ 14.4	0 ~ 3	0 ~ 50		53	58	63	kHz	
Open Voltage	Vopen				∞	1600	1650	-	V <sub>rms</sub>	
		12				-	<b>1800</b>	-		

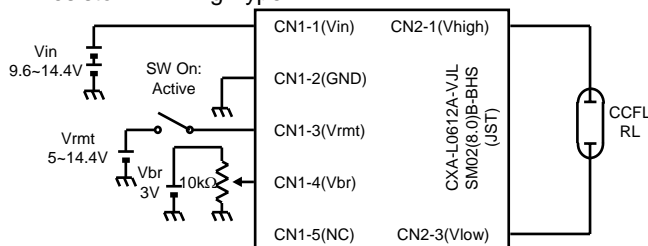


Voltage Dimming Type

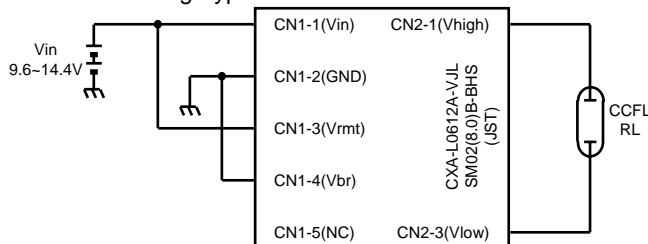
**APPLICATION (for example)**



Resistor Dimming Type



None Dimming Type



**Power Systems – The Power Solution**

Web: [www.Power-Systems.de](http://www.Power-Systems.de)  
 Email: [Info@Power-Systems.de](mailto:Info@Power-Systems.de)

Address: Hauptstr. 48 ; 74360 Ilsfeld-Auenstein / Germany  
 Tel. : + 49 / 70 62 / 67 59 - 6  
 Fax: + 49 / 70 62 / 67 59 - 800