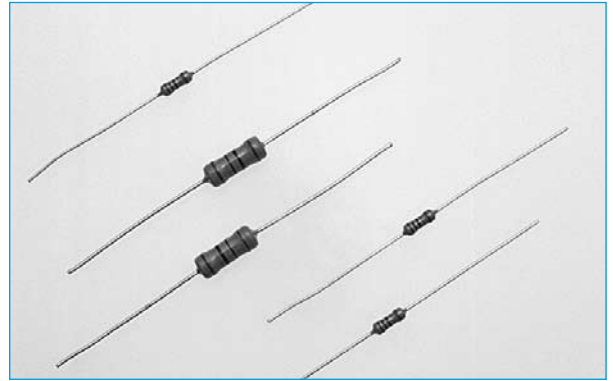
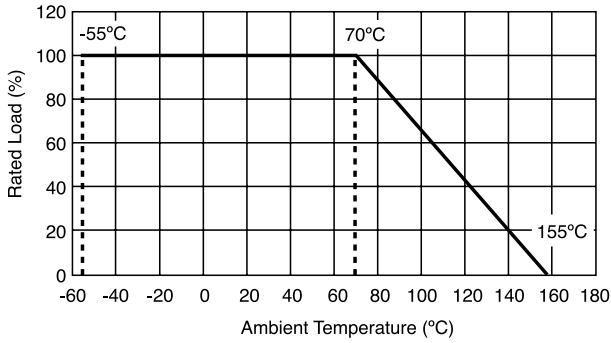


**RESISTORS**

**DMR 16 RESISTOR**

**FIG.1**



**POWER RATINGS**

Resistors shall have a power rating based on continuous full-load operation at an ambient temperature of 70°C. For temperature in excess of 70°C, the load shall be derated as shown in the figure 1.

**VOLTAGE RATINGS**

Resistors shall have a rated direct-current (DC) continuous working voltage or an approximate sine-wave root-mean-square (RMS) alternating-current (AC) continuous working voltage at commercial-line frequency and waveform corresponding to the power rating, as determined from the following formula:

$$RCWV = P \times R$$

**DMR SELECTION GUIDE**

Where: RCWV = rated DC or RMS AC continuous working voltage at commercial-line frequency and waveform (Volt)

P = Power rating (Watt)

R = Nominal resistance (Ohm)

In no case shall the rated DC or RMS AC continuous working voltage be greater than the applicable maximum value.

**NOMINAL RESISTANCE**

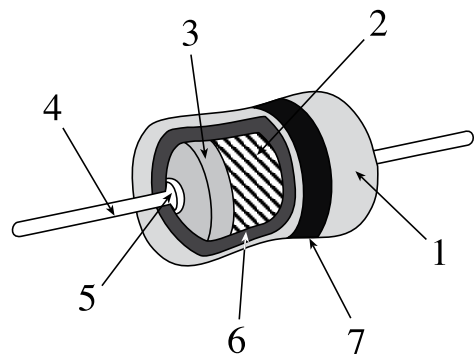
Effective figures of nominal resistance shall be in accordance with E-24 series, and resistance tolerance shall be shown by table 1.

**TABLE 1 RATINGS**

Rated Power	0.4W at 70°C
Max. Working Voltage	200V
Max. Overload Voltage	400V
Rated ambient temp.	70°C
Operating Temp. Range	-55°C to +155°C
Resistance tolerance	± 1%
Resistance range	10Ω to 1MΩ

**CONSTRUCTION**

No.	Name	Material
1	Basic Body	Rod type ceramics
2	Resistor	Metal Film
3	End Cap	Steel (Tin plated Iron surface)
4	Lead Wire	Annealed Copper wire (electrosolder plated surface)
5	Joint	By welding
6	Coating	Insulated resin (colour - apple green)
7	Colour Code	Epoxy resin



**ORDERING INFORMATION**

DMR	16	T	75R
	Type	Taping	Value
	16 = 0.4W	BD= Tape and reel T = Tape and ammo	in ohms

Please note taping specification is available on page 134.

SPECIFICATION

PERFORMANCE TEST	TEST METHOD		APPRAISE
Short Time Overload	JIS-C-5202 5.5	2.5 Times RCWV for 5 seconds	$\pm (0.25\%+0.05\Omega)$
Dielectric Withstanding Voltage	JIS-C-5202 5.7	in V-Block for 60 seconds	by Type
Temperature Coefficient of Resistance	JIS-C-5202 5.2	-55 °C to 155 °C	by Type
Insulation Resistance	JIS-C-5202 5.6	in V-Block	>10000M $\Omega$
Solderability	JIS-C-5202 6.5	260 °C for $\pm 5$ Seconds	95% Min. Coverage
Resistance to Solvent	JIS-C-5202 6.9	Trichloroethane for 1 Min. with Ultrasonic	No Deterioration of coatings & markings
Terminal Strength	Direct Load for 10 Sec. in The Direction of Terminal Leads		$\geq 2.5$ kg (24.5N)
Pulse Overload	JIS-C-5202 5.8	4 Times RCWV 10000 Cycles (1 Sec. on, 25 Sec. off)	$\pm(2\%+0.05\Omega)$
Load Life in Humidity	JIS-C-5202 7.9	40 $\pm 2$ °C, 90~95% RH at RCWV for 1000 hrs. (1.5 Hrs. on, 0.5 Hrs. off)	$\pm(1.5\%+0.05\Omega)$
Load Life	JIS-C-5202 7.10	70 °C at RCWV for 1000 Hrs. (1.5 Hrs. on, 0.5 Hrs off)	$\pm(1.5\%+0.05\Omega)$
Temperature Cycling	JIS-C-5202 7.4	-55 °C Room Temp. 155 °C Room Temp. for 5 Cycles	$\pm(0.25\%+0.05\Omega)$
Resistance to Soldering Heat	JIS-C-5202 6.4	350 °C $\pm 10$ °C for 3 $\pm 0.5$ seconds	$\pm(0.25\%+0.05\Omega)$

OUTLINE DRAWING

L (max.)	D (max.)	d $\pm 0.05$	H $\pm 2$
3.3 $\pm 0.4$	1.8 $\pm 0.3$	0.5mm	28

